

Illustration - Type - E

3 611 J09 000  
 Issue/Stand | 23-03-22 **Fig./Abb. 1**

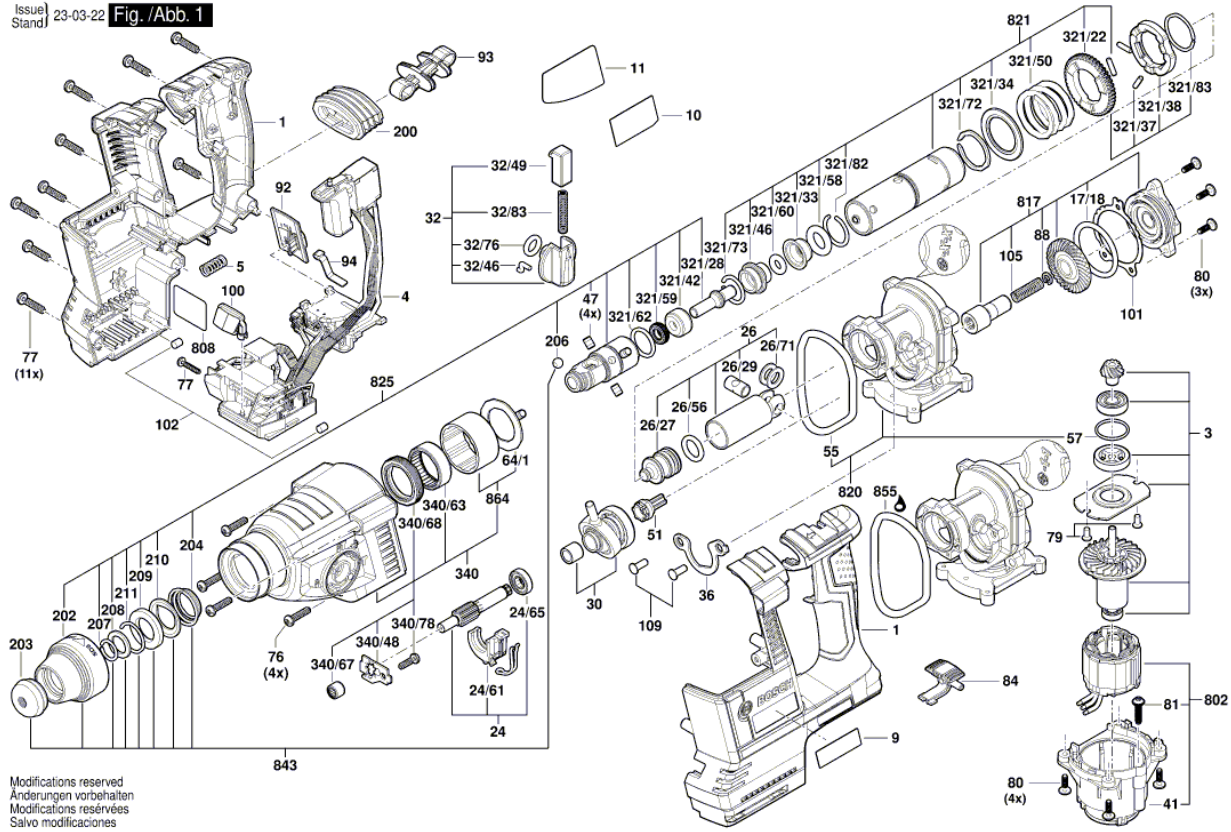
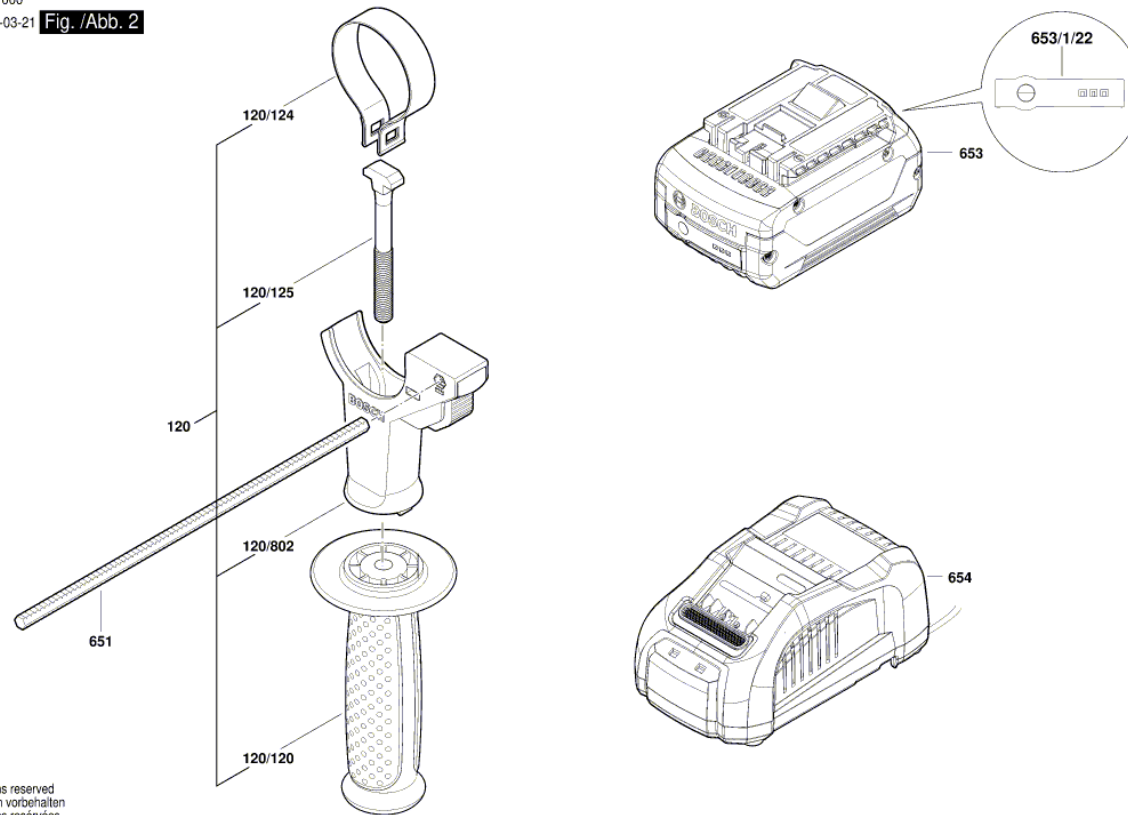


Illustration - Type - E

3 611 J09 000  
Issue | 17-03-21  
Stand | **Fig. /Abb. 2**



Modifications reserved  
Änderungen vorbehalten  
Modifications réservées  
Salvo modificaciones

## Spare parts list

Item	Part Number	Description	Illustration
1	1 605 108 2B2	Housing Section	1
3	1 600 A00 AR1	Rotor	1
4	1 607 233 59J	Electronics Module	1
5	1 609 280 477	Compression Spring	1
9	1 601 11C ORN	Manufacturer's nameplate	1
10	1 601 11C ORP	Manufacturer's nameplate	1
11	1 601 11C ORX	Reference Plate	1
17/18	1 610 210 156	O-Ring 39,0x3,0 MM	1
24	1 600 A00 H7C	Jack Shaft	1
24/61	1 600 A00 MX9	Switching Element	1
24/65	1 610 905 016	groove ball bearing	1
26	1 600 A00 H7D	Hammer Piston	1
26/27	1 600 A00 733	Striker	1
26/29	1 600 A01 TD0	Piston Pin	1
26/56	1 610 210 187	O-Ring	1
26/71	1 610 100 016	Guide Disc	1
30	1 600 A00 H7E	Drive bearing Auf Zeichnung Pos.830	1
32	1 612 026 037	Clamp Handle BLACK	1
32/46	1 614 690 002	Driver Pin	1
32/49	1 612 026 035	Switch Button RED	1
32/76	1 610 210 046	O-Ring 10,5x2,7 MM	1
32/83	1 614 611 006	Compression Spring	1
36	1 600 A00 7TL	Bearing Holder	1
41	1 605 108 2B8	Motor Housing	1
47	1 613 100 030	Needle Roller	1
51	1 600 A00 7JH	Control Element	1
55	1 610 210 206	Seal Ring 63,0x5,0 MM	1
57	1 610 210 208	O-Ring 24,0x2,0 MM	1
64/1	1 610 190 060	Supporting Disc	1
76	1 613 435 022	Thread-forming tap. Screw	1
77	2 603 490 023	Torx Oval-Head Screw 4x20	1
79	1 613 435 023	Thread-forming tap. Screw	1
80	1 603 430 00V	Torx Oval-Head Screw	1
81	1 603 435 086	Torx head screw	1
84	1 600 A00 1E5	Switch Slide	1

## Spare parts list

Item	Part Number	Description	Illustration
88	2 916 660 042	Retaining ring	1
92	1 600 A00 1ED	Control Element	1
93	1 600 A00 798	Guide Piece	1
94	1 601 200 006	Leaf Spring	1
100	1 600 A00 752	Lens	1
101	1 600 A00 7RX	Adjusting disk 0,200	1
101	1 600 A00 7RY	Adjusting disk 0,3	1
101	1 600 A00 7RZ	Adjusting disk 0,4	1
102	2 603 100 056	Damping rubber	1
105	1 600 A00 7RE	Compression Spring	1
109	1 603 435 07U	Thread-forming tap. Screw	1
200	1 600 A00 1CL	Bellows	1
202	1 600 A02 8AU	Protection Sleeve	1
203	1 610 508 047	Protective Cap	1
204	1 614 643 003	Compression Spring	1
206	1 903 230 013	Ball DIN 5401-Ø7MM-III-ST	1
207	1 614 601 027	Retaining ring	1
208	1 610 101 629	Retaining Washer	1
209	1 610 102 025	Friction Washer	1
210	1 610 190 011	Holding Plate	1
211	1 604 601 02S	Retaining ring	1
321/22	1 600 A00 7JW	Cylindrical Gear	1
321/28	1 613 124 081	Striker Pin	1
321/33	1 610 590 014	Holding Jacket	1
321/34	1 610 190 067	Supporting Disc	1
321/37	1 613 100 019	Straight Pin DIN6325-2,5x12-RIKO	1
321/38	1 600 A00 8AG	Catch Disk	1
321/42	1 610 102 073	Thrust Ring	1
321/46	1 610 390 051	Guide Bushing	1
321/50	1 614 611 020	Compression Spring	1
321/58	1 610 210 178	O-Ring	1
321/59	1 610 283 035	Rotary shaft lip seal	1
321/60	1 610 210 176	O-Ring 9,0x3,5 MM	1
321/62	1 610 210 179	O-Ring	1
321/72	1 604 601 027	Retaining ring	1

## Spare parts list

Item	Part Number	Description	Illustration
321/73	1 614 601 012	Retaining ring	1
321/82	1 614 601 034	Retaining ring	1
321/83	1 604 601 028	Retaining ring A22 DIN 7993	1
340	1 600 A00 H7F	Impact Mechanism Housing	1
340/48	1 611 098 008	Tab Washer	1
340/63	1 610 910 063	Needle bearing Ø30xØ37x12 MM	1
340/67	1 610 910 098	Needle bearing	1
340/68	1 610 283 036	Rotary shaft lip seal	1
340/78	2 603 490 022	Screw 4x16	1
802	1 600 A01 5E8	Stator	1
808	1 601 11A 3H9	Nameplate	1
817	1 607 000 C8Y	Bearing Flange	1
820	1 607 000 C8X	Intermediate Flange	1
821	1 607 000 C8Z	Pipe	1
825	1 617 000 598	Tool Holding Fixture	1
843	1 617 000 582	Protection Sleeve	1
855	1 600 210 07U	O-Ring	1
864	1 617 000 A07	Supporting Disc	1
120	1 602 025 08X	Auxiliary Handle	2
120/120	1 602 025 07H	Auxiliary Handle	2
120/124	1 611 316 021	Clamping Band Ø50 MM	2
120/125	1 613 490 002	T-Head Bolt M8x40 MM	2
120/802	1 617 000 475	Support clamp	2
651	1 613 001 009	Depth-Gauge SW 6x210 MM	2
653	1 607 A35 0AS	Battery Pack KOR GBA 18V 8.0Ah ProCore SCM	2
653	2 607 337 069	Battery Pack BBS MR, 18V, 5,0 Ah 48 S	2
653	2 607 337 263	Battery Pack GBA 18V 6.0 AH	2
653/1/22	2 601 115 537	Sticker	2
654	2 607 225 921	Charger EU GAL 1880 CV 230/14,4-18V	2
654	2 607 225 933	Charger ROK GAL 1880 CV 220V/14,4-18V	2