

Illustration - Type - E

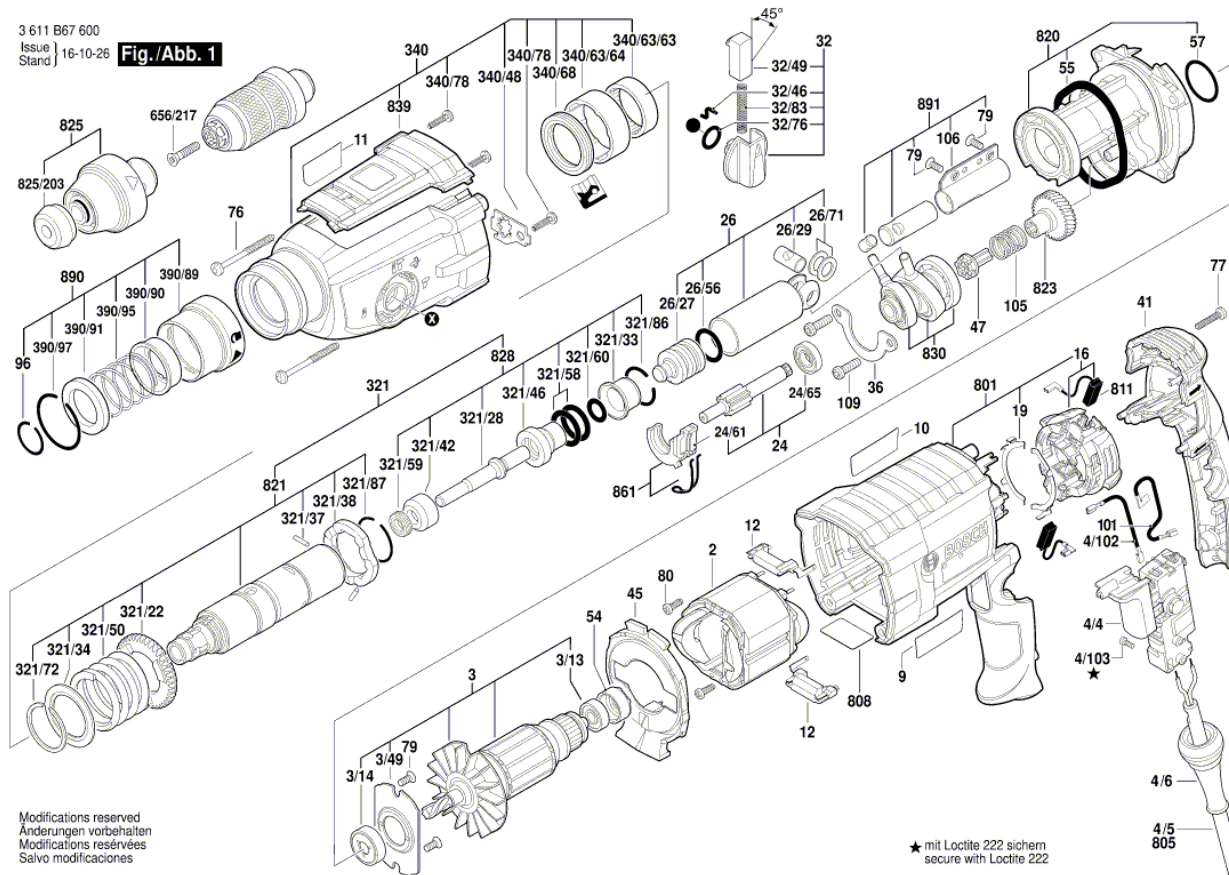
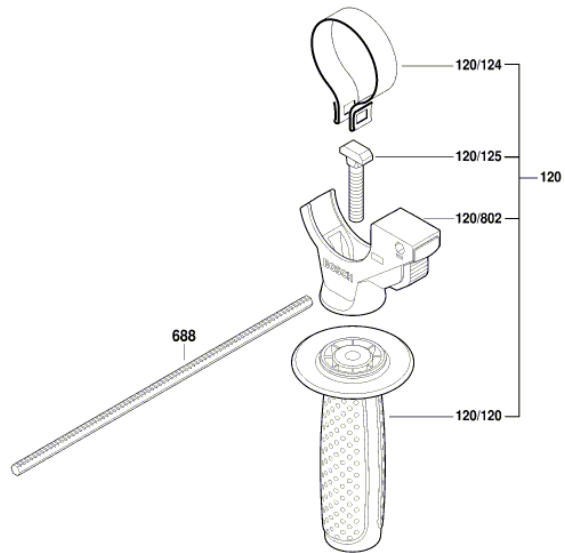


Illustration - Type - E

3 611 B67 600
Issue | 16-10-26
Stand | **Fig./Abb. 2**



Modifications reserved
Änderungen vorbehalten
Modifications réservées
Salvo modificaciones

Spare parts list

| Item | Part Number | Description | Illustration |
|-------|---------------|----------------------------|--------------|
| 2 | 1 614 220 208 | Field 230V | 1 |
| 3 | 1 614 010 262 | Armature 230V | 1 |
| 3/13 | 1 610 905 032 | groove ball bearing 7x19x6 | 1 |
| 3/14 | 1 610 905 048 | groove ball bearing 9x24x7 | 1 |
| 3/49 | 1 615 700 044 | End Shield | 1 |
| 4/102 | 1 614 449 015 | Connecting Cable | 1 |
| 4/103 | 1 613 435 034 | Lens Head Screw 3x10 ST | 1 |
| 4/4 | 1 600 A02 E6P | On-Off Switch | 1 |
| 4/6 | 1 600 703 034 | Grommet Ø7,3-Ø8,6x66 MM | 1 |
| 9 | 1 601 11C 0TJ | Manufacturer's nameplate | 1 |
| 10 | 1 601 11C 0TK | Manufacturer's nameplate | 1 |
| 11 | 1 611 110 W02 | Reference Plate | 1 |
| 12 | 1 614 465 011 | Suppression Filter | 1 |
| 16 | 1 614 336 093 | Brush Plate | 1 |
| 19 | 1 611 329 024 | Switch Contact | 1 |
| 24 | 1 617 000 6EJ | Toothed Shaft | 1 |
| 24/65 | 1 610 905 016 | groove ball bearing | 1 |
| 26 | 1 617 000 6A5 | Hammer Piston | 1 |
| 26/27 | 1 610 311 019 | Striker | 1 |
| 26/29 | 1 600 A01 TD0 | Piston Pin | 1 |
| 26/56 | 1 610 210 121 | O-Ring 17,0x3,0 MM GREEN | 1 |
| 26/71 | 1 610 100 016 | Guide Disc | 1 |
| 32 | 1 612 026 037 | Clamp Handle BLACK | 1 |
| 32/46 | 1 614 690 002 | Driver Pin | 1 |
| 32/49 | 1 612 026 035 | Switch Button RED | 1 |
| 32/76 | 1 610 210 046 | O-Ring 10,5x2,7 MM | 1 |
| 32/83 | 1 614 611 006 | Compression Spring | 1 |
| 36 | 1 615 808 106 | Bearing Holder | 1 |
| 41 | 1 615 500 428 | Housing Cover | 1 |
| 45 | 1 610 522 015 | Air-Deflector Ring | 1 |
| 47 | 1 616 312 010 | Control Element | 1 |
| 54 | 1 610 502 016 | Rubber Bushing | 1 |
| 55 | 1 610 290 104 | O-Ring 59,5x5,0 MM | 1 |
| 57 | 1 610 210 208 | O-Ring 24,0x2,0 MM | 1 |
| 76 | 1 603 430 00A | Thread-forming tap. Screw | 1 |

Spare parts list

| Item | Part Number | Description | Illustration |
|-----------|---------------|----------------------------------|--------------|
| 77 | 2 603 490 024 | Torx Oval-Head Screw 4x25 | 1 |
| 79 | 1 613 435 042 | Thread-forming tap. Screw | 1 |
| 80 | 1 613 435 043 | Screw | 1 |
| 96 | 1 614 601 046 | Retaining ring | 1 |
| 101 | 1 614 449 014 | Connecting Cable | 1 |
| 105 | 1 614 643 027 | Compression Spring | 1 |
| 106 | 1 610 590 024 | Protective Sleeve | 1 |
| 109 | 1 603 435 08E | Thread-forming tap. Screw | 1 |
| 321 | 1 617 000 6BV | Toolholder | 1 |
| 321/22 | 1 616 312 004 | Cylindrical Gear | 1 |
| 321/28 | 1 613 124 097 | Striker Pin | 1 |
| 321/33 | 1 610 590 020 | Holding Jacket | 1 |
| 321/34 | 1 610 190 067 | Supporting Disc | 1 |
| 321/37 | 1 613 100 019 | Straight Pin DIN6325-2,5x12-RIKO | 1 |
| 321/38 | 1 600 A00 8AG | Catch Disk | 1 |
| 321/42 | 1 610 102 084 | Thrust Ring | 1 |
| 321/46 | 1 610 390 068 | Guide Bushing | 1 |
| 321/50 | 1 614 615 008 | Compression Spring | 1 |
| 321/58 | 1 610 210 105 | O-Ring 18,0x3,5 MM | 1 |
| 321/59 | 1 600 A00 9VC | Shaft Seal | 1 |
| 321/60 | 1 610 210 209 | O-Ring 9,5x3,5 MM | 1 |
| 321/72 | 1 604 601 027 | Retaining ring | 1 |
| 321/86 | 1 614 601 034 | Retaining ring | 1 |
| 321/87 | 1 604 601 028 | Retaining ring A22 DIN 7993 | 1 |
| 340 | 1 605 806 5C1 | Gear Housing | 1 |
| 340/48 | 1 611 098 008 | Tab Washer | 1 |
| 340/63/63 | 1 610 910 063 | Needle bearing Ø30xØ37x12 MM | 1 |
| 340/63/64 | 1 610 390 069 | Bushing | 1 |
| 340/68 | 1 610 283 036 | Rotary shaft lip seal | 1 |
| 340/78 | 2 603 490 022 | Screw 4x16 | 1 |
| 390/89 | 1 600 A00 NC8 | Guide Sleeve | 1 |
| 390/90 | 1 610 590 016 | Collar Sleeve | 1 |
| 390/91 | 1 610 200 033 | Backup ring | 1 |
| 390/95 | 1 614 643 016 | Compression Spring | 1 |
| 390/97 | 1 614 601 047 | Retaining ring | 1 |

Spare parts list

| Item | Part Number | Description | Illustration |
|---------|---------------|--|--------------|
| 656/217 | 2 603 421 229 | Countersunk-Head Screw M6x23 LEFTHAND THREADS | 1 |
| 801 | 1 617 000 6BS | Motor Housing | 1 |
| 805 | 1 614 460 026 | Power supply cord EU 4,15m 2 x 1,0mm H07 RN-F | 1 |
| 811 | 1 607 000 485 | Carbon-Brush Set 10 x 1 617 000 525 | 1 |
| 811 | 1 617 000 525 | Carbon-Brush Set 220 V / 127 V | 1 |
| 820 | 1 617 000 6BT | Intermediate Flange | 1 |
| 821 | 1 617 000 6BU | Tool Holding Fixture | 1 |
| 823 | 1 617 000 6BW | Gear Sleeve | 1 |
| 825 | 1 617 000 895 | Tool Holding Fixture | 1 |
| 825/203 | 1 610 508 047 | Protective Cap | 1 |
| 828 | 1 617 000 6A7 | Striker Pin | 1 |
| 830 | 1 617 000 6BX | Drive bearing | 1 |
| 839 | 1 607 000 C9A | Cover | 1 |
| 861 | 1 615 820 097 | Switching Element | 1 |
| 890 | 1 617 000 V41 | Guide Sleeve | 1 |
| 891 | 1 617 000 6BZ | Weight | 1 |
| 120 | 1 602 025 08X | Auxiliary Handle | 2 |
| 120/120 | 1 602 025 07H | Auxiliary Handle | 2 |
| 120/124 | 1 611 316 021 | Clamping Band Ø50 MM | 2 |
| 120/125 | 1 613 490 002 | T-Head Bolt M8x40 MM | 2 |
| 120/802 | 1 617 000 475 | Support clamp | 2 |
| 688 | 1 613 001 009 | Depth-Gauge SW 6x210 MM | 2 |