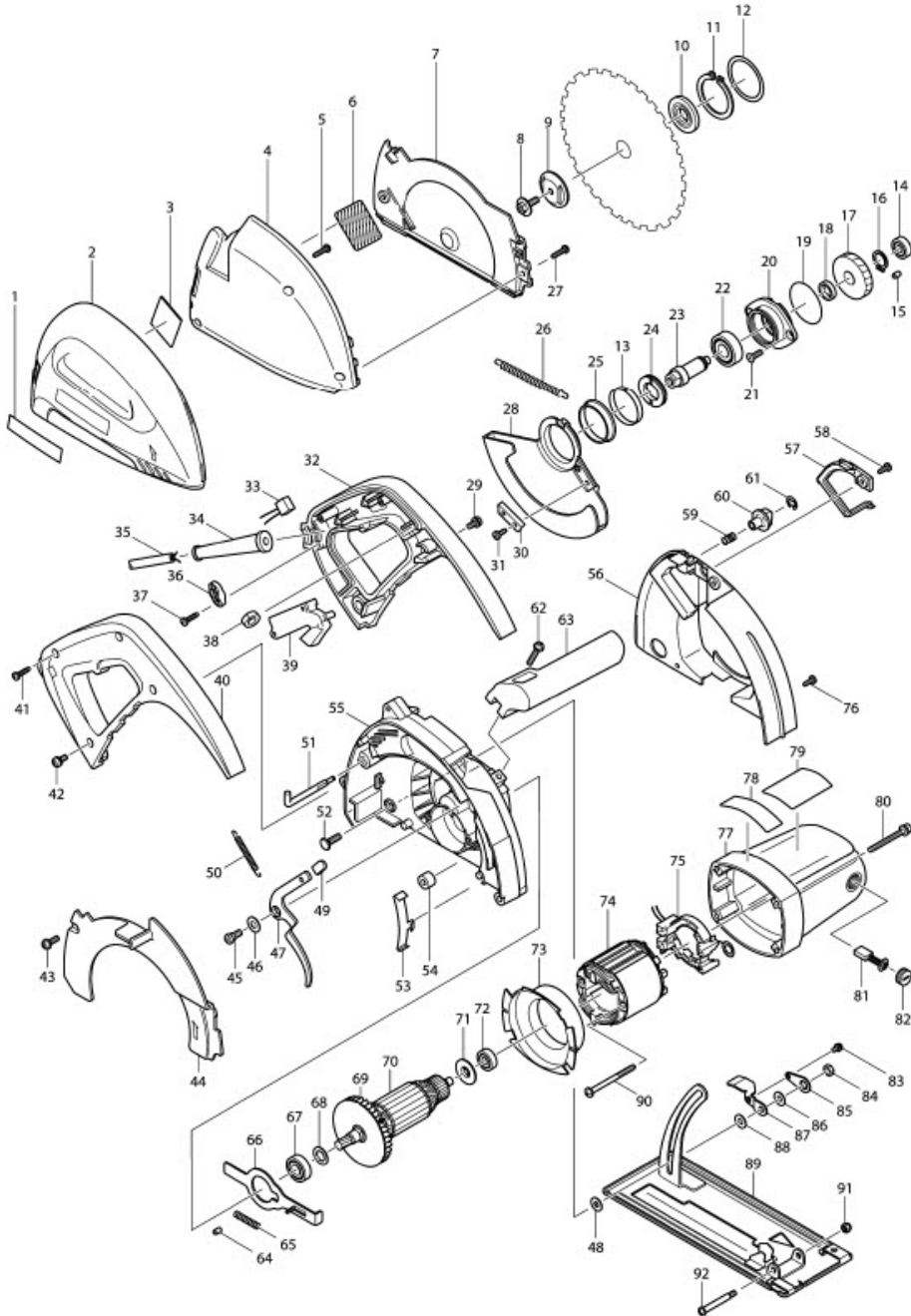


Part Diagram

Model No.4131 METAL CUTTER 185MM



Item	Sub	Parts No.	Parts Description	Qty
1		819064-1	MAKITA MARK	1
2		183837-1	DUST CASE COVER	1
2	C10	810055-5	CAUTION LABEL	1
2	D10		INC. 1	
3		431005-3	HEAT RESISTING GLASS	1
4		317776-5	DUST CASE	1
5		265995-6	TAPPING SCREW 4X18	2
6		343760-4	PUNCHING METAL COVER	1
7		317777-3	DUST PLATE	1
008-1		266458-5	HEX.SOCKET HEX.BOLT M6X18	1
9		224366-6	OUTER FLANGE 40	1
10		224370-5	INNER FLANGE 40	1
11		961201-4	RETAINING RING S-42	1
12		267784-5	WASHER 42	1
13		343759-9	THICKNESS RING	1
14		211031-6	BALL BEARING 608LLB	1
15		263002-9	RUBBER PIN 4	1
16		961055-9	RETAINING RING S-15	1
17		226591-5	HELICAL GEAR 48	1
18		257053-2	RING 15	1
19		213621-1	O RING 46	1
20		316579-4	BEARING BOX	1
21		251372-8	+ COUNTERSUNK HEAD SCREW M5X12	2
22		211228-7	BALL BEARING 6202DDW	1
23		324475-2	SPINDLE	1
24		285807-7	BEARING RETAINER 22-36	1
025-1		346880-3	SPACER	1
026-1		231891-0	TENSION SPRING 4	1
27		265995-6	TAPPING SCREW 4X18	2
28		317775-7	SAFETY COVER	1
29		911213-7	PAN HEAD SCREW M5X12	2
30		344944-7	SUB PLATE	1
31		266026-4	TAPPING SCREW BIND CT 4X12	1
032-1		182648-1	HANDLE SET	1
032-1	D10		INC. 40	
34		682540-6	CORD GUARD 9.3-90	1
034-1		682505-8	CORD GUARD 10-90	1
35		692527-0	POWER SUPPLY CORD 1.0-2-2.5	1
36		687052-4	STRAIN RELIEF	1
37		265995-6	TAPPING SCREW 4X18	2
38		421492-4	SPONGE RING	1
39		651054-6	SWITCH TG71C-2	1
040-1		182648-1	HANDLE SET	1
040-1	D10		INC. 32	
41		265995-6	TAPPING SCREW 4X18	2
42		911213-7	PAN HEAD SCREW M5X12	2
43		911223-4	PAN HEAD SCREW M5X16	1
44		317778-1	BLADE COVER	1
45		251267-5	+ PAN HEAD SCREW M6	1
46		941201-0	FLAT WASHER 8	1
47		345421-2	OPEN LEVER	1
48		253783-3	FLAT WASHER 6	1
049-1		421903-9	RUBBER CAP	1
50		231823-7	TENSION SPRING 4	1
51		324476-0	HOOK	
52		266031-1	CAP SQUARE NECK BOLT M6X20	
53		343758-1	PROTECTOR	
54		262511-5	RUBBER SLEEVE 6	1

Item	Sub	Parts No.	Parts Description	Qty
55		153924-0	GEAR HOUSING COMPLETE	1
55	D10		INC. 15,64	
56		418612-9	GEAR HOUSING COVER	1
57		418613-7	LEAD COVER	1
58		266026-4	TAPPING SCREW BIND CT 4X12	1
59		231402-1	COMPRESSION SPRING 7	1
60		271421-5	THUMB PIPE 23	1
61		961017-7	STOP RING E-3	1
62		911243-8	PAN HEAD SCREW M5X25	2
63		415469-9	GRIP	1
64		263002-9	RUBBER PIN 4	1
65		233092-6	COMPRESSION SPRING 5	1
66		343832-5	SHAFT LOCK	1
67		211131-2	BALL BEARING 6001DDW	1
68		253744-3	FLAT WASHER 12	1
69		241876-8	FAN 76	1
70		513578-9	ARMATURE ASS'Y 220-240V	1
70	D10		INC. 67-69,71,72	
71		681634-4	INSULATION WASHER	1
72		211031-6	BALL BEARING 608LLB	1
73		415467-3	BAFFLE PLATE	1
74		634513-5	FIELD 220-240V	1
75		638358-3	SUPPORT COMPLETE	1
76		266026-4	TAPPING SCREW BIND CT 4X12	3
77		159685-0	MOTOR HOUSING COMPLETE	1
77	C10	643754-2	BRUSH HOLDER	2
78		816816-1	INDICATION LABEL	1
79		860463-0	NAME PLATE 4131	1
80		911263-2	PAN HEAD SCREW M5X40	4
81		191963-2	CARBON BRUSH CB-303	1
82		643750-0	BRUSH HOLDER CAP 7-11	2
082-1		643515-0	HOLDER CAP 7-11	2
83		911108-4	PAN HEAD SCREW M4X8	1
84		252135-5	HEX. NUT	1
85		341718-7	LOCK PLATE	1
86		253804-1	FLAT WASHER 6	1
87		342907-7	LEVER PLATE	1
88		253804-1	FLAT WASHER 6	1
89		165387-8	BASE	1
90		266029-8	TAPPING SCREW 5X65	2
91		252103-8	HEX. LOCK NUT M5-8	1
92		265075-8	+ PAN HEAD SCREW M5	1
A01		192219-6	SAFETY GOGGLE	1
A02		410047-0	WRENCH HOLDER 5.6	1
A03		783203-8	HEX. WRENCH 5	1
A04-1		B-04628	CERMET SAW BLADE 185X20X36T	1