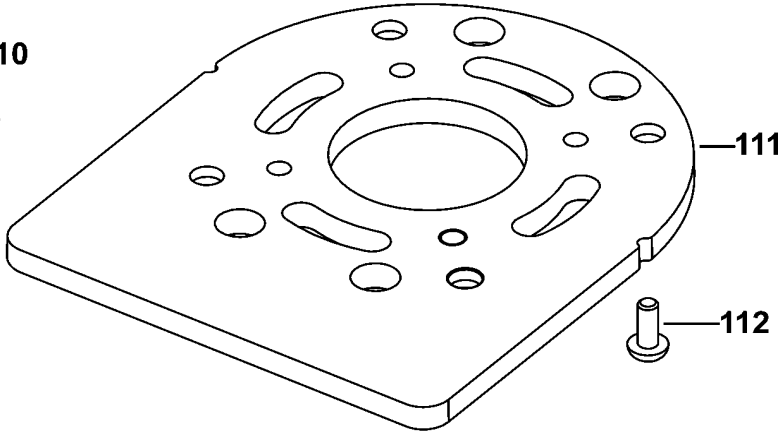
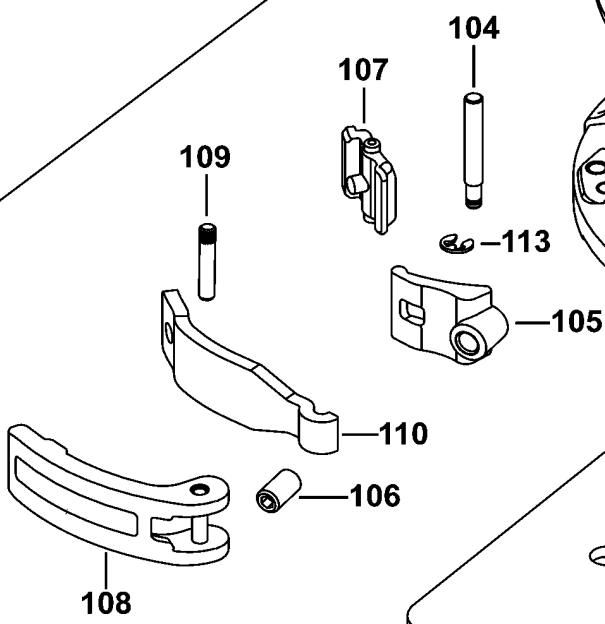
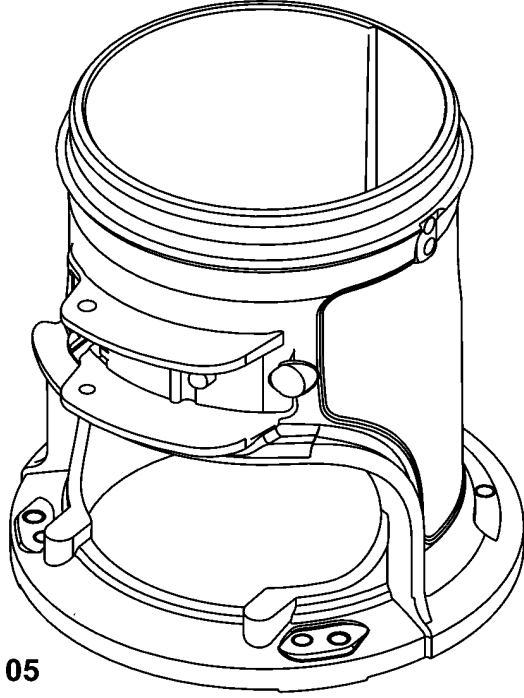
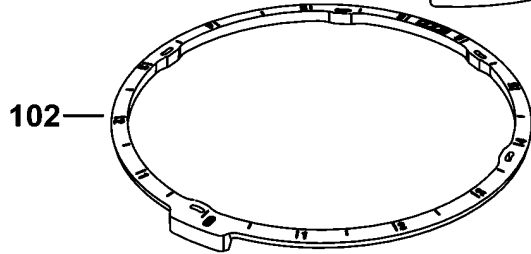
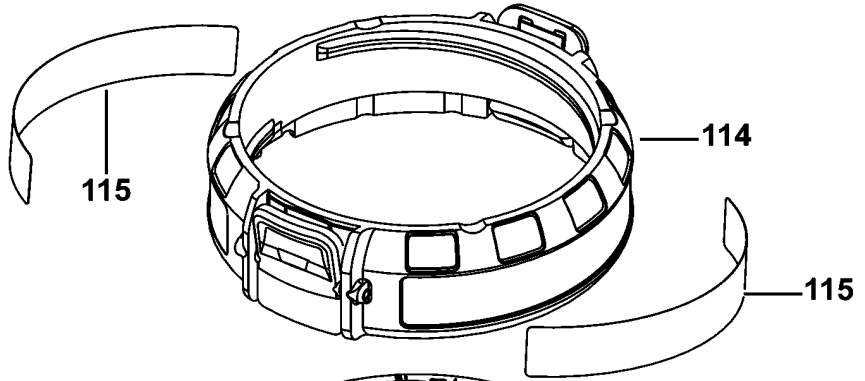
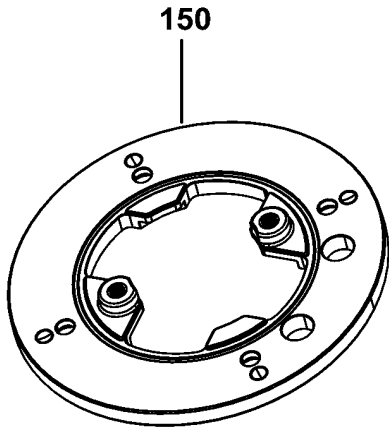
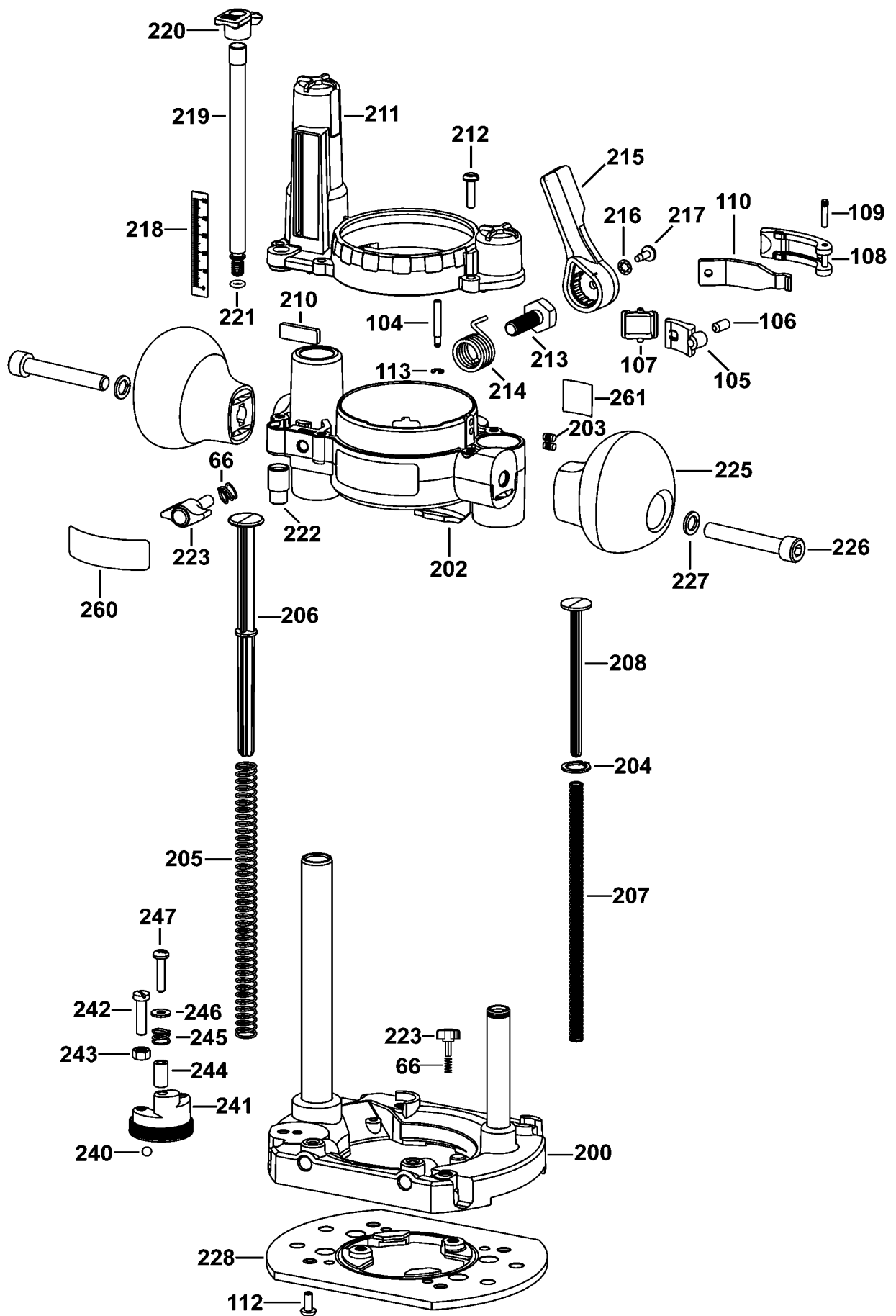


D26204K Housing ROUTER ATTACH 1



D26204K Column sa ROUTER ATTACH 1



Parts List D26204K Electronic Palm Router 1

Item	Part Number	Qty	Part Description	General Description	Other Info	Repair Inst	Markets
1	A26126SV	1	MOTOR HOUSING SA			No	QS
2	N074107	1	LED LIGHT			No	QS
3	A26131	1	INSERT			No	QS
4	N038183	1	LOCK BUTTON			No	QS
5	A23489	1	SPRING			No	QS
6	330065-06	2	SCREW			No	QS
7	A28455SV	1	ARMATURE	230V	INCL. 53,54	No	QS
8	A25248	1	NUT			Yes	QS
9	A28680	1	FIELD CASE			No	QS
10	330065-07	1	SCREW			No	QS
11	A28458	2	BRUSH HOLDER SA		INCL. 59	No	QS
12	330019-01	2	SCREW			No	QS
13	N074135	1	CONTROL MODULE SA		INCL. LC	No	QS
14	N074109	1	CONTROL MODULE SA		FILTER	No	QS
15	A28461	1	CORDSET (EURO)			No	QS
16	329301-00	1	CORD CLAMP			No	QS
17	330019-02	3	SCREW			Yes	QS
18	887453	1	SWITCH			No	QS
19	A29360	1	SWITCH COVER			No	QS
20	A28679	1	END CAP			No	QS
21	A27330	1	MAGNET			Yes	QS
22	330045-09	2	SCREW			No	QS
23	330065-08	4	SCREW	M4x18 T20		No	QS
24	A28462SV	1	COLLET			No	QS
25	N416397	1	RATING LABEL			No	QS
26	A28464	1	WARNING LABEL			No	QS
27	N039270	1	WARNING LABEL			No	QS
28	A28476	1	MOUNT			No	QS
29	398100-00	1	TERMINAL BLOCK			No	QS
30	A29361	1	LEAD SA			No	QS
50	A26125	1	INSERT			Yes	QS
51	A27537	1	BEARING			Yes	QS

Parts List D26204K Electronic Palm Router 1

Item	Part Number	Qty	Part Description	General Description	Other Info	Repair Inst	Markets
52	A25250	1	NUT LH			Yes	QS
53	N110359	1	BEARING			No	QS
54	A25585	1	INSULATOR			Yes	QS
55	N278879	1	FIELD 230V			No	QS
56	A23504	1	BAFFLE			Yes	QS
57	949638-02	2	DAMPER			Yes	QS
58	A27937	1	WASHER			Yes	QS
59	A28459	2	BRUSH			No	QS
60	N918736	1	CORD PROTECTOR			No	QS
65	A27895	1	WRENCH SPECIAL			No	QS
66	609118-00	4	SPRING			No	QS
67	945121-00	2	SCREW.TEMP			No	QS
68	948651-00	1	FENCE SA			No	QS
75	931405-00	1	SCREW			No	QS
76	A27315	1	CONE			No	QS
77	A27316	1	PIN			No	QS
78	249014-01	1	BUSH			No	QS
79	945121-00	2	SCREW.TEMP			No	QS
100	N032769SV	1	BASE SA			No	QS
102	A28391	1	SCALE			No	QS
104	A24452	2	PIN			No	QS
105	A24764	2	ADJUSTER			Yes	QS
106	330022-18	2	SCREW			Yes	QS
107	A24767	2	PAD			No	QS
108	A24771	2	CLAMPING BAR			No	QS
109	A24770	2	PIN			No	QS
110	A27362	2	SPRING			No	QS
111	A27941	1	BASEPLATE			No	QS
112	N029178	8	SCREW			No	QS
113	N028373	2	RETAINER			No	QS
114	N693104	1	ADJUSTER HEIGHT			No	QS
115	A28466	2	IDENTITY LABEL			No	QS

Parts List D26204K Electronic Palm Router 1

Item	Part Number	Qty	Part Description	General Description	Other Info	Repair Inst	Markets
116	A28678SV	1	ADAPTOR		INCL.	No	QS
117	A27335	2	THUMBSCREW		23,117	No	QS
200	N095607	1	BASE SA			No	QS
202	N095608	1	CARRIER SA			No	QS
203	N042079	4	PIN			No	QS
204	684179	1	RING			No	QS
205	N037001	1	SPRING			No	QS
206	N034346	1	GUIDE			No	QS
207	A29112	1	SPRING			No	QS
208	A29651	1	GUIDE			No	QS
210	N027873	1	PLATE			No	QS
211	N029880	1	COVER			No	QS
212	330045-06	5	SCREW			No	QS
213	N029497	1	BOLT			No	QS
214	N029508	1	SPRING			No	QS
215	N027646	1	LEVER			No	QS
216	608298-00	1	WASHER SPECIAL			No	QS
217	324007-10	1	SCREW			No	QS
218	N032095	1	SCALE			No	QS
219	A28031	1	ROD			No	QS
220	N031168	1	ADJUSTER			No	QS
221	N027984	1	O RING			No	QS
222	N027987	1	ADJUSTER			No	QS
223	608930-00	6	SCREW			No	QS
225	397560-00	2	KNOB			No	QS
226	607395-00	2	SCREW			No	QS
227	098197-09	2	WASHER			No	QS
228	N029742	1	BASEPLATE			No	QS
230	A29660	1	ADAPTOR		INCL. 23	No	QS
231	N028927	2	WASHER			No	QS
232	147107-00	1	KNOB			No	QS
233	N026733	1	GUIDE SA			No	QS

Parts List D26204K Electronic Palm Router 1

Item	Part Number	Qty	Part Description	General Description	Other Info	Repair Inst	Markets
240	652836-00	1	BALL			No	QS
241	326976-01	1	TURRET			No	QS
242	608928-00	1	SCREW			No	QS
243	330015-04	1	NUT			No	QS
244	652835-00	1	SPACER			No	QS
245	652834-00	1	SPRING			No	QS
246	653599-00	1	WASHER			No	QS
247	330045-07	1	SCREW			No	QS
260	N029502	1	BRAND LABEL			No	QS
261	N029503	1	NAMEPLATE			No	QS
265	N092764	1	BASE SA			No	QS
861	A28470	1	KITBOX			No	QS