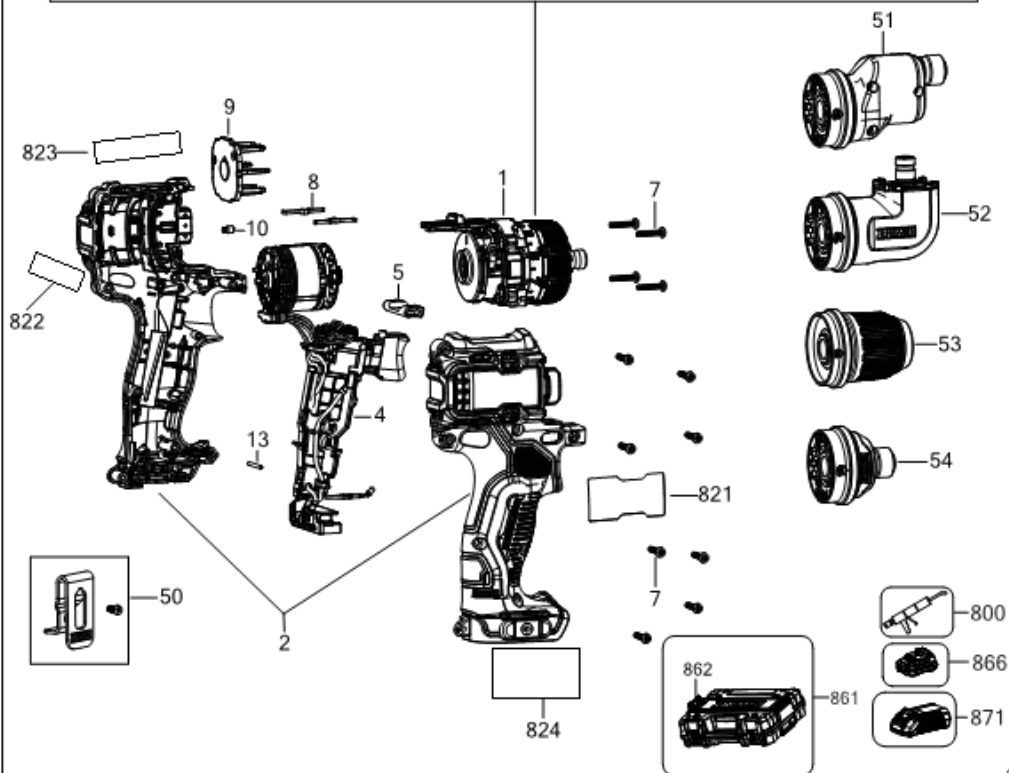
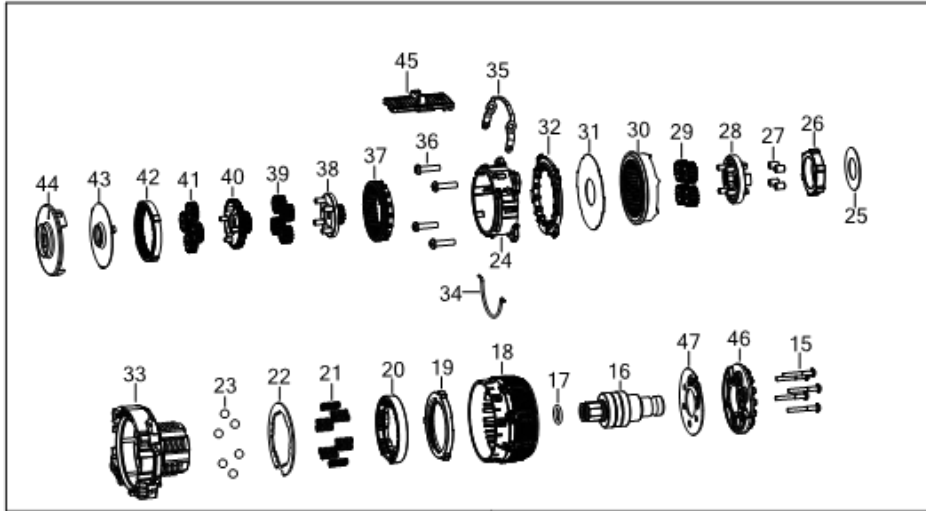


DEWALT

DCD703

TYPE
1



E21063

www.2helpU.com

12 - 03 - 2021

©

DCD703NT DRILL/DRIVER 1

Parts List DCD703NT DRILL/DRIVER 1

| Item | Part Number | Qty | Part Description | General Description | Other Info | Repair Inst | Markets |
|------|-------------|-----|------------------|---------------------|------------|-------------|---------|
| 1 | NA069296 | 1 | TRANSMISSION SA | | | No | XJ |
| 2 | N569260 | 1 | CLAMSHELL SET | | | No | XJ |
| 4 | NA069432 | 1 | MOTOR SA | | | No | XJ |
| 5 | N399342 | 1 | ACTUATOR FWD/REV | | | No | XJ |
| 7 | N463678 | 12 | SCREW | | | No | XJ |
| 8 | N014681 | 2 | LEAF SPRING | | | No | XJ |
| 9 | N552144 | 1 | PLASTIC ADAPTOR | | | No | XJ |
| 10 | N593131 | 1 | PLUG | | | No | XJ |
| 13 | N660916 | 1 | PIN | | | No | XJ |
| 15 | N891488 | 5 | SCREW | | | No | XJ |
| 16 | NA069294 | 1 | SPINDLE SA | | | No | XJ |
| 17 | N638045 | 1 | O RING | | | No | XJ |
| 18 | N529547 | 1 | COLLAR | | | No | XJ |
| 19 | N527880 | 1 | ADJUSTER TORQUE | | | No | XJ |
| 20 | N527879 | 1 | SPRING | | | No | XJ |
| 21 | N527878 | 12 | SPRING | | | No | XJ |
| 22 | N527877 | 1 | WASHER | | | No | XJ |
| 23 | N510716 | 6 | BALL | STEEL, 5MM | | No | XJ |
| 24 | N531638 | 1 | HOUSING | | | No | XJ |
| 25 | N527659 | 1 | WASHER LOCK | | | No | XJ |
| 26 | N769849 | 1 | LOCKING RING | | | No | XJ |
| 27 | N647513 | 4 | PIN | | | No | XJ |
| 28 | N681264 | 1 | CARRIER SA | | | No | XJ |
| 29 | N532276 | 4 | GEAR | | | No | XJ |
| 30 | N531435 | 1 | GEAR | | | No | XJ |
| 31 | N531627 | 1 | WASHER | | | No | XJ |
| 32 | N531634 | 1 | RING | | | No | XJ |
| 33 | N527876 | 1 | HOUSING | | | No | XJ |
| 34 | N552206 | 1 | WIRE STEEL | | | No | XJ |
| 35 | N551526 | 1 | LINK | | | No | XJ |
| 36 | N075506 | 4 | SCREW | | | No | XJ |
| 37 | N531632 | 1 | GEAR | | | No | XJ |

Parts List DCD703NT DRILL/DRIVER 1

| Item | Part Number | Qty | Part Description | General Description | Other Info | Repair Inst | Markets |
|------|-------------|-----|------------------|---------------------|-----------------------|-------------|---------|
| 38 | N681265 | 1 | CARRIER SA | | | No | XJ |
| 39 | N531633 | 4 | GEAR | | | No | XJ |
| 40 | N681266 | 1 | CARRIER SA | | | No | XJ |
| 41 | N531637 | 4 | GEAR | | | No | XJ |
| 42 | N549298 | 1 | GEAR | | | No | XJ |
| 43 | N550764 | 1 | WASHER | | | No | XJ |
| 44 | N549069 | 1 | PLATE | | | No | XJ |
| 45 | N702960 | 1 | SELECTOR SA | | | No | XJ |
| 46 | N850542 | 1 | COVER | | | No | XJ |
| 47 | N530050 | 1 | WASHER | | | No | XJ |
| 50 | N702958 | 1 | HOOK SA | | | No | XJ |
| 51 | NA071258 | 1 | HEAD SA | | OFFSET | No | XJ |
| 52 | NA071259 | 1 | HEAD SA | | HEAD RIGHT | No | XJ |
| 53 | NA071260 | 1 | HEAD SA | | ANGLE 10MM HEAD | No | XJ |
| 54 | NA071261 | 1 | HEAD SA | | HEAD CHUCK 1/4" | No | XJ |
| 800 | 870889-02 | 1 | GREASE | | | No | XJ |
| 821 | N910047 | 1 | RATING PLATE | | EURO | No | XJ |
| 822 | N658202 | 1 | LABEL | | | No | XJ |
| 823 | N910048 | 1 | BRAND LABEL | | 12V XR | No | XJ |
| 824 | N910049 | 1 | LABEL | | FOOT | No | XJ |
| 861 | N929405 | 1 | KITBOX | | | No | XJ |
| 862 | N409477 | 1 | LATCH | | | No | XJ |