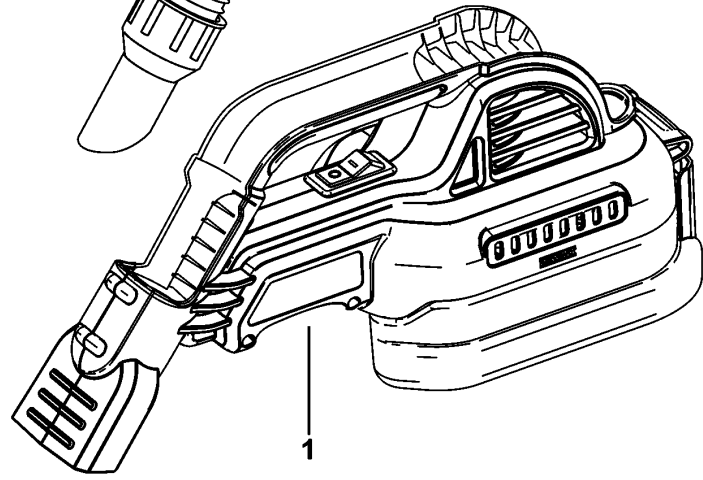


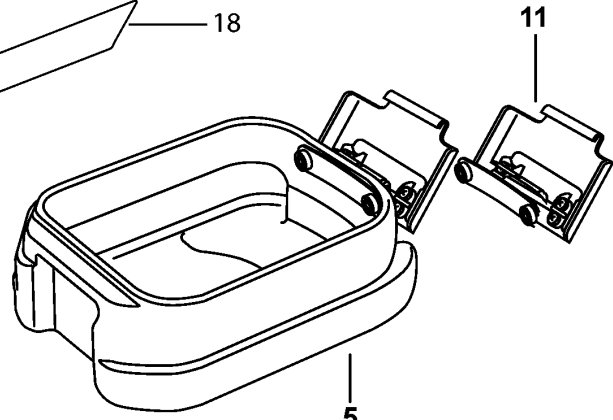
2



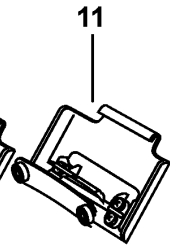
1



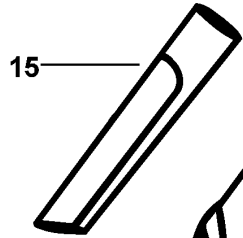
18



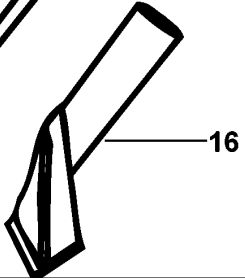
5



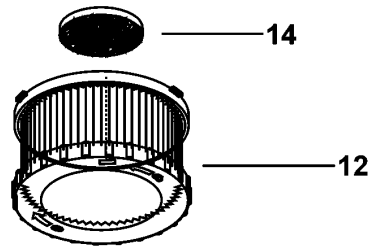
11



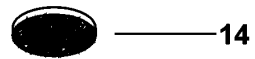
15



16



12



14

Parts List DCV517N VACUUM CLEANER 1

Item	Part Number	Qty	Part Description	General Description	Other Info	Repair Inst	Markets
1	000000-05	1	PARTIAL SUPPORT - ONLY PARTS L			No	XJ
2	1002086-00	1	HOSE SA			No	
5	1002087-00	1	TANK			No	
11	1002088-00	1	CATCH SA			No	
12	1002089-00	1	FILTER SA	DC5151H-XJ		No	
14	1002090-00	1	FILTER			No	
15	1002091-00	1	TOOL CREVICE			No	
16	1002092-00	1	NOZZLE TRIANGULAR			No	
18	N494877	1	RATING PLATE	XJ - XE		No	XJ