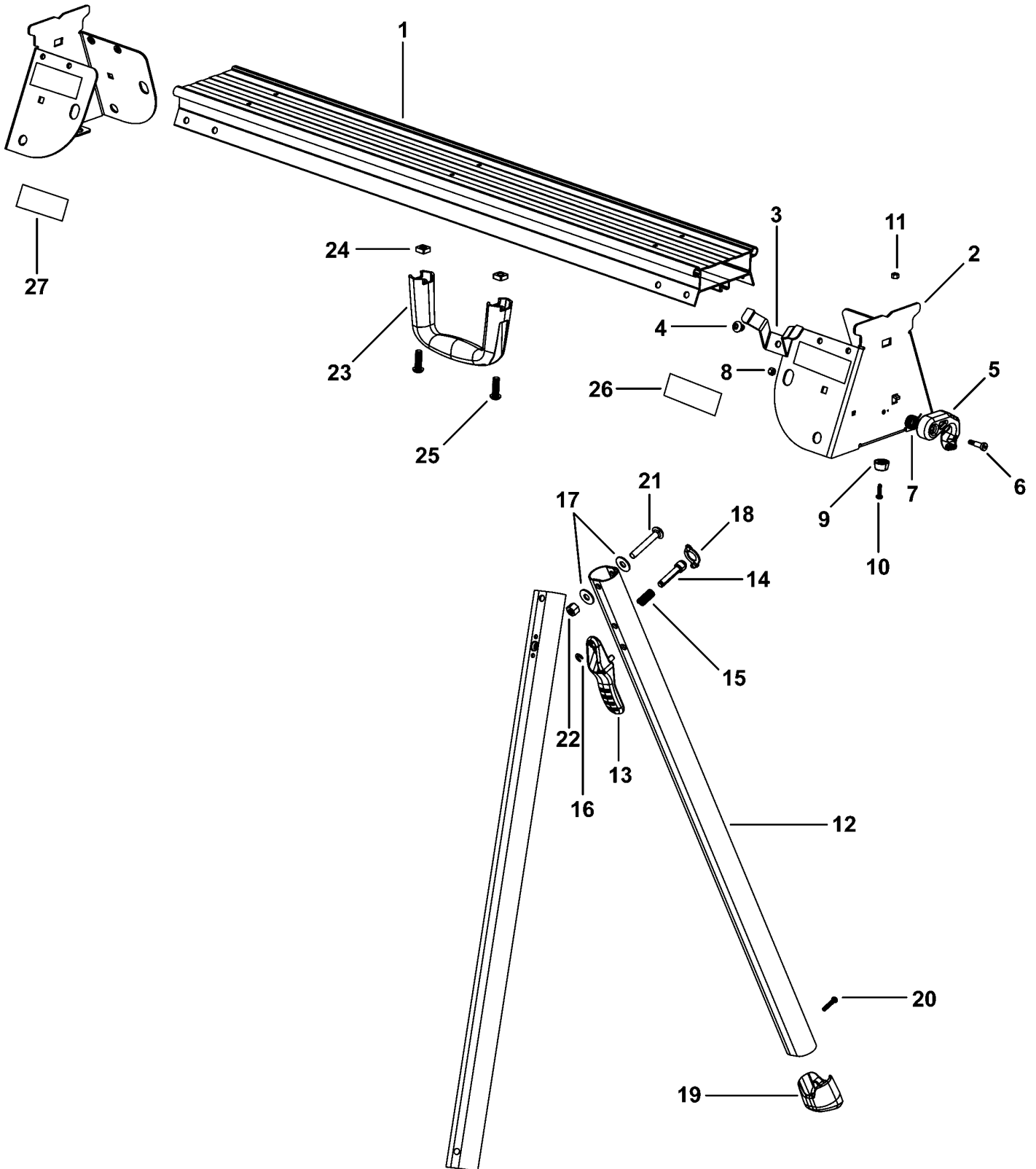


DE7035 LEG STAND 1



## Parts List DE7035 LEG STAND 1

Item	Part Number	Qty	Part Description	General Description	Other Info	Repair Inst	Markets
1	N006440	1	BEAM			No	XJ
2	N005003	2	SUPPORT BRACKET			No	XJ
3	N069314	1	MOUNTING BRACKET			No	XJ
4	330045-31	8	SCREW			No	XJ
5	N045647	2	HOOK			No	XJ
6	N057927	2	SCREW			No	XJ
7	N057928	2	SPRING TORSION			No	XJ
8	330021-06	2	NUT			No	XJ
9	N057926	2	FOOT			No	XJ
10	330045-06	2	SCREW			No	XJ
11	330021-00	2	STOP NUT			No	XJ
12	N004976	4	LEG			No	XJ
13	N041876	4	LEVER LOCK			No	XJ
14	657816-00	4	LOCK PIN			No	XJ
15	658120-00	4	SPRING COMPRESSION			No	XJ
16	658121-00	4	RING			No	XJ
17	657479-00	8	WASHER PLASTIC			No	XJ
18	657478-00	4	WASHER PLASTIC			No	XJ
19	N074647	4	FOOT			No	XJ
20	330019-32	4	SCREW			No	XJ
21	658122-00	4	CARRIAGE BOLT			No	XJ
22	330021-02	4	NUT			No	XJ
23	N087125	2	HANDLE			No	XJ
24	N087199	2	NUT			No	XJ
25	N086604	2	SCREW			No	XJ
26	N085017	1	RATING PLATE	DE7035-T1		No	XJ
27	606774-00	1	BRAND LABEL			No	XJ