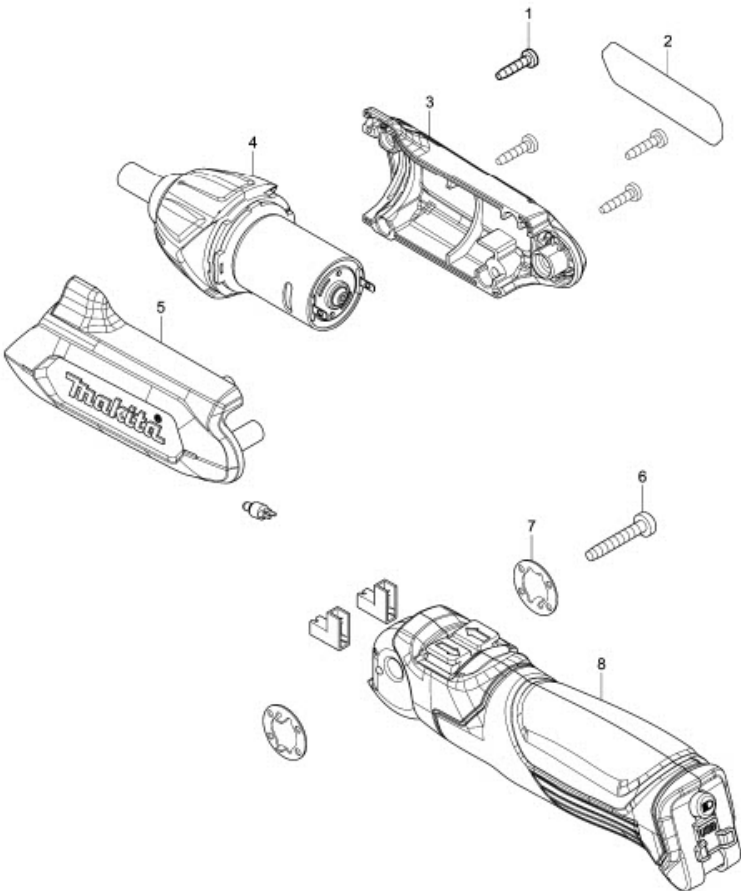


# Part Diagram

Model No.DF001D IN-LINE CORDLESS SCREWDRIVER



Item	Sub	Parts No.	Parts Description	Qty
1		266404-8	TAPPING SCREW BIND 3X14	4
2		852X12-1	DF001D NAME PLATE	1
3		183F38-7	MOTOR HOUSING SET	1
3	D10		INC. 5	
4		123911-3	GEAR ASSY(NON EMC COMPLIANT)	1
4	C10	221532-6	SPUR GEAR 20B	3
4	C20	221531-8	MOTOR PINION	1
4	C30	629246-5	DC MOTOR	1
4	C40	265172-0	+PAN HEAD SCREW M2.6X6	2
5		183F38-7	MOTOR HOUSING SET	1
5	D10		INC. 3	
6		266374-1	TAPPING SCREW 4X25	1
7		267803-7	LOCK WASHER	2
8		620627-6	CONTROLLER ASSEMBLY	1
008-1		620693-3	BATTERY INTEGRATED CONTROLLER	1
A01		D-61494	BIT CASE SET A	1
A02		630A39-1	ADP07 AC ADAPTER	1
A02-1		198365-3	ADP07 AC ADAPTER SET	1
A03		661750-8	USB CABLE	1
A03-1		661753-2	USB CABLE	1
A04		821704-9	PLASTIC CASE	1

