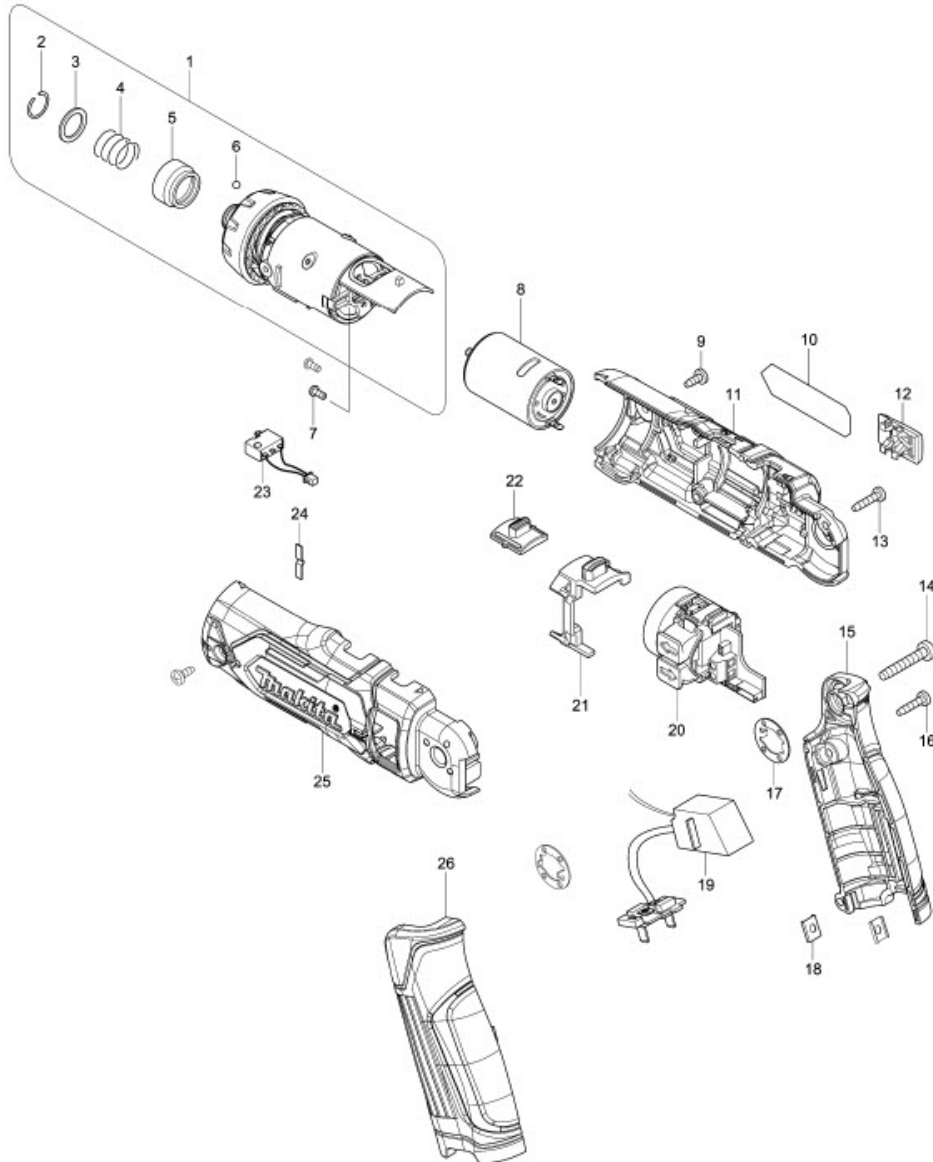


Part Diagram

Model No.DF012D CORDLESS DRIVER DRILL



Item	Sub	Parts No.	Parts Description	Qty
1		123913-9	GEAR ASSEMBLY	1
1	C10	450558-3	CHANGE RING	1
1	D10		INC. 2-6	
2		231965-7	RING SPRING 10	1
3		267143-3	FLAT WASHER 11	1
4		233005-7	COMPRESSION SPRING 13	1
5		324711-6	BIT SLEEVE	1
6		216019-1	STEEL BALL 3	2
7		265172-0	+PAN HEAD SCREW M2.6X6	2
8		629264-3	DC MOTOR	1
9		265954-0	TAPPING SCREW BIND PT3X8	2
10		853C22-5	DF012D NAME PLATE	1
11		183F98-9	MOTOR HOUSING SET	1
11	D10		INC. 25	
12		450590-7	SLIDE PLATE	1
13		266404-8	TAPPING SCREW BIND 3X14	3
14		266374-1	TAPPING SCREW 4X25	1
15		183G00-8	HANDLE SET	1
15	D10		INC. 26	
16		266404-8	TAPPING SCREW BIND 3X14	2
17		267803-7	LOCK WASHER	2
18		345749-8	SET PLATE	2
19		631811-8	CONTROLLER	1
20		638605-2	SWITCH UNIT	1
21		450553-3	CHANGE LEVER	1
22		125465-6	SPEED CHANGE LEVER ASSEMBLY	1
22	C10	233018-8	COMPRESSION SPRING 3	2
23		638609-4	SWITCH UNIT	1
24		232369-6	LEAF SPRING	1
25		183F98-9	MOTOR HOUSING SET	1
25	D10		INC. 11	
26		183G00-8	HANDLE SET	1
26	D10		INC. 15	
A01		***DC10WA	DC10WA BATTERY CHARGER	1
A01	D10		COMPO-PARTS	
A02		198000-3	BATTERY BL0715 SET	2
A03		784202-3	PHILLIPS BIT 2-45	1
A04		784243-9	+ BIT 1-45	1
A05		824781-0	PLASTIC CASE	1
A06		158775-6	PLASTIC CARRYING CASE COMPLETE	1
A06	C10	417724-5	LATCH	2
A06	C20	324679-6	SHAFT	1