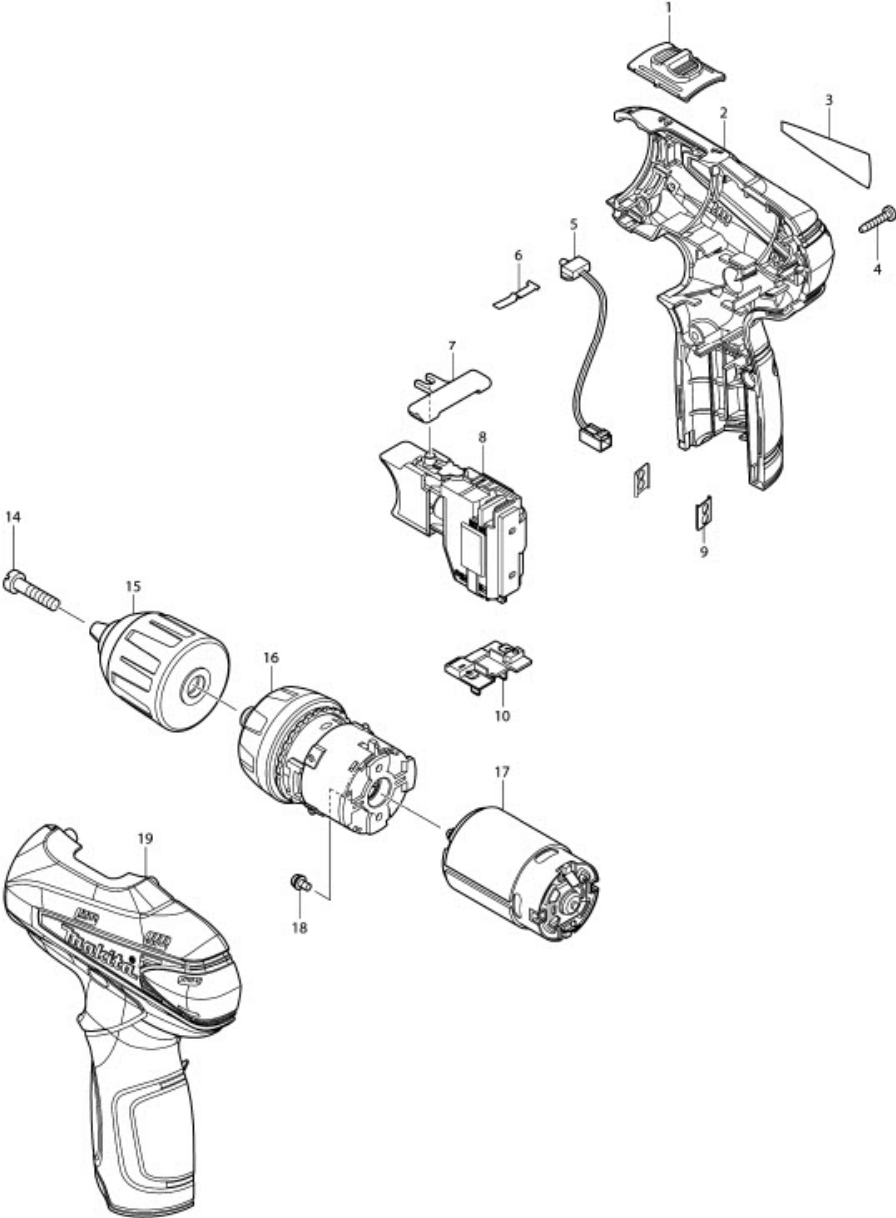


Part Diagram

Model No.DF330D CORDLESS DRIVER DRILL



Item	Sub	Parts No.	Parts Description	Qty
001-1		126233-0	SPEED CHANGE LEVER ASSEMBLY	1
001-1	C10	231433-0	COMPRESSION SPRING 4	2
002-2		187359-3	HOUSING SET	1
002-2	D10		INC. 19	
3		866201-8	DF330D NAME PLATE	1
4		266130-9	TAPPING SCREW BIND PT 3X16	6
6		232239-9	LEAF SPRING	1
7		450504-6	F/R CHANGE LEVER	1
008-2		650699-7	SWITCH C3HW-3A-LF1M	1
9		345998-7	SET PLATE	2
10		643830-2	TERMINAL	1
14		251451-2	- PAN HEAD SCREW M5X22	1
15		766007-3	KEYLESS DRILL CHUCK 10	1
015-1		763228-8	KEYLESS DRILL CHUCK 10	1
16		125539-3	GEAR ASS'Y	1
016-1		123503-8	GEAR ASS'Y	1
016-2		127099-1	GEAR ASSEMBLY	1
17		629853-4	DC MOTOR	1
18		911003-8	PAN HEAD SCREW M3X6	2
019-2		187359-3	HOUSING SET	1
019-2	D10		INC. 2	
20		533020-4	LEAD ASS'Y	1
21		533019-9	LEAD ASS'Y	1
A01		168467-9	HOLSTER	1
A02		***DC10WA	DC10WA BATTERY CHARGER	1
A03		194550-6	BATTERY BL1013 SET	2
A03-1		196066-7	BATTERY BL1013 SET	2
A04-1		784202-3	PHILLIPS BIT 2-45	1
A05		824781-0	PLASTIC CASE	1
A06A		824842-6	PLASTIC CARRYING CASE	1
A06A	C10	417724-5	LATCH	2
A06-1A		141104-0	PLASTIC CARRYING CASE COMPLETE	1
A06-1A	C10	417724-5	LATCH	2
A06-1C		141104-0	PLASTIC CARRYING CASE COMPLETE	1
A06-1C	C10	417724-5	LATCH	2
A07A		DEZML100	RECHARGEABLE FLASH LIGHT(BULK)	1
A07-1A		AUZML100	RECHARGEABLE FLASH LIGHT	1