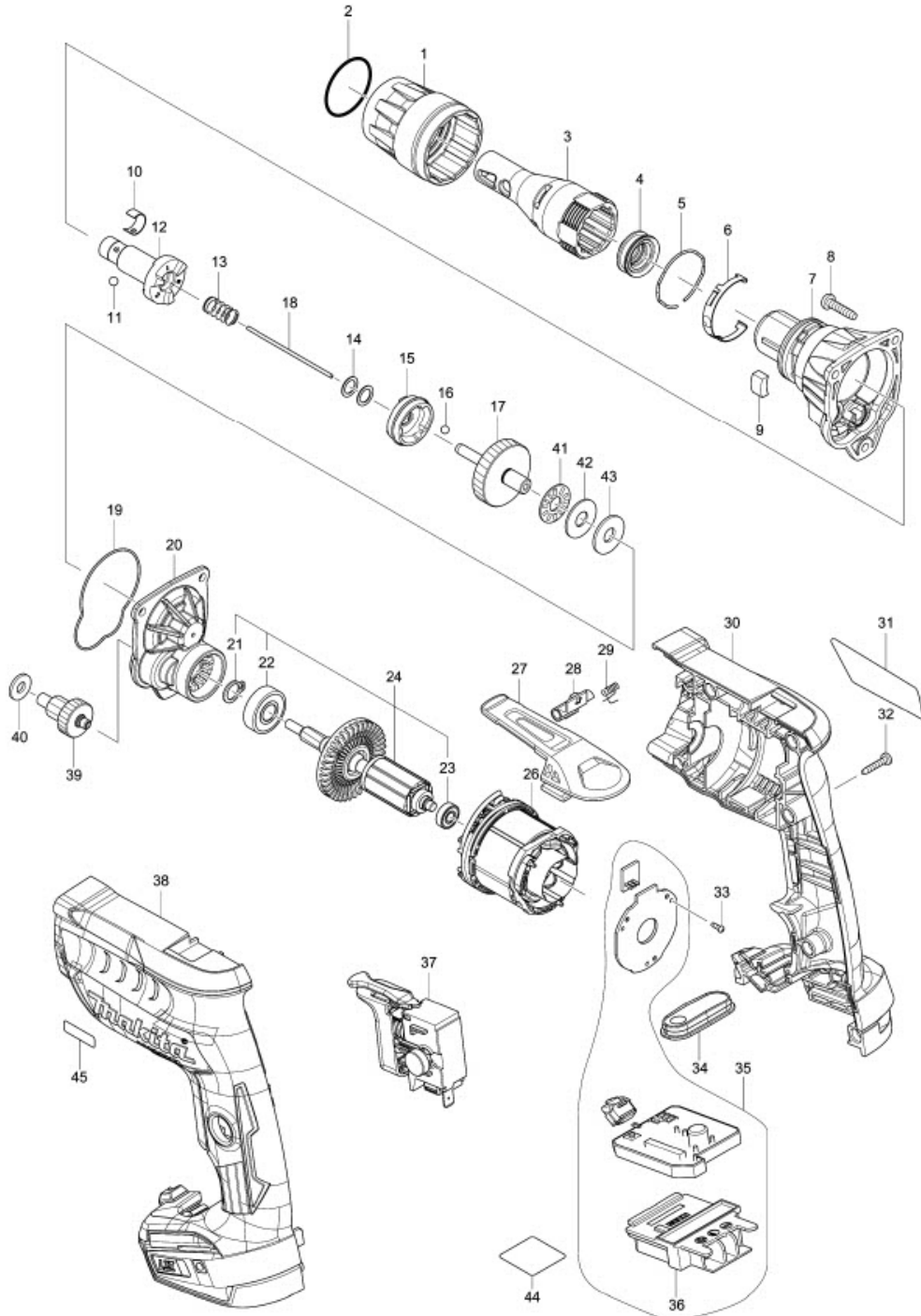


Part Diagram

Model No.DFS250 CORDLESS SCREWDRIVER



Item	Sub	Parts No.	Parts Description	Qty
1		455591-0	LOCK RING	1
2		424235-3	SEAL RING 30	1
3		158876-0	LOCATOR L COMPLETE	1
4		424665-8	DUST SEAL SLEEVE	1
5		234348-0	RING SPRING 30	1
6		232245-4	LEAF SPRING	1
7		144156-0	GEAR HOUSING COMPLETE	1
7	C10	213796-6	OIL SEAL 11	1
8		265995-6	TAPPING SCREW 4X18	3
008-1		265A48-7	TAPPING SCREW 4X18	3
9		423413-2	RUBBER PLATE	1
10		232050-9	LEAF SPRING	1
11		216001-0	STEEL BALL 3.5	1
12		144159-4	SPINDLE 125S COMPLETE	1
13		234121-8	COMPRESSION SPRING 8	1
14		267202-3	FLAT WASHER 8	2
15		223181-5	CLUTCH CAM 125S	1
16		216008-6	STEEL BALL 4	3
17		144160-9	GEAR COMPLETE	1
017-1		144703-7	GEAR COMPLETE	1
18		256342-2	ROD 2	1
19		424928-2	SEAL RING	1
20		144161-7	GEAR HOUSING COVER COMPLETE	1
20	C10	210003-8	BALLBEARING 685ZZ	1
21		961005-4	RETAINING RING S-9	1
22		211493-8	BALL BEARING 609DDW	1
23		210039-7	BALL BEARING 695DDW	1
023-1		211157-4	BALL BEARING 695ZZ	1
24		519424-4	ROTOR ASS'Y	1
24	D10		INC. 21-23	
024-1		510471-8	ROTOR ASS'Y	1
024-1	D10		INC. 21-23	
26		629135-4	STATOR	1
27		162272-6	HOOK	1
28		142908-3	LEVER COMPLETE	1
028-1		140M84-5	LEVER COMPLETE	1
29		233619-2	TORSION SPRING 3	1
30		183F17-5	HOUSING SET	1
30	C10	263005-3	RUBBER PIN 6	2
30	C20	252126-6	HEX. LOCK NUT M4-7	2
30	D10		INC. 38	
31		852V20-0	DFS250 NAME PLATE	1
32		266130-9	TAPPING SCREW BIND PT 3X16	7
33		266490-9	TAPPING SCREW PT 2X6	3
34		144162-5	SWITCH PLATE COMPLETE	1
35		620616-1	CONTROLLER COMPLETE	1
35	D10		INC. 36	
36		643860-3	TERMINAL	1
37		650733-3	SWITCH C3JW-4B-2L	1
38		183F17-5	HOUSING SET	1
38	C10	263005-3	RUBBER PIN 6	2
38	C20	252126-6	HEX. LOCK NUT M4-7	2
38	D10		INC. 30	
39		221478-6	GEAR COMPLETE 9-23	1
40		267100-1	FLAT WASHER 6	
41		216415-3	THRUST NEEDLE CAGE 821	
041-1		216415-3	THRUST NEEDLE CAGE 821	
42		216212-7	WASHER 821	1

Item	Sub	Parts No.	Parts Description	Qty
43		261111-8	URETHANE WASHER 8	1
44		852V21-8	DFS250 SERIAL NO. LABEL	1
45		810W86-2	2500RPM INDICATION LABEL	1
A01		266622-8	+ TRUSS HEAD SCREW M4X12	1
A02		346317-0	HOOK	1
A03		784261-7	+BIT 2-25	2
A04		784812-6	MAGNETIC BIT HOLDER 6.35-76	1
A05		450128-8	BATTERY COVER	1
A06		***DC18RC	DC18RC FAST CHARGER	1
A06A	D10		COMPO-PARTS	
A07A		197600-6	BATTERY BL1830B SET	2
A07B		197265-4	BATTERY BL1840B SET	2
A07C		197280-8	BATTERY BL1850B SET	2
A07-1A		197600-6	BATTERY BL1830B SET	2
A07-1B		197265-4	BATTERY BL1840B SET	2
A07-1C		197280-8	BATTERY BL1850B SET	2
A08		821645-9	PLASTIC CARRYING CASE	1
A08A	C10	162315-4	LATCH	2
A08A	C20	452137-3	HANDLE	1