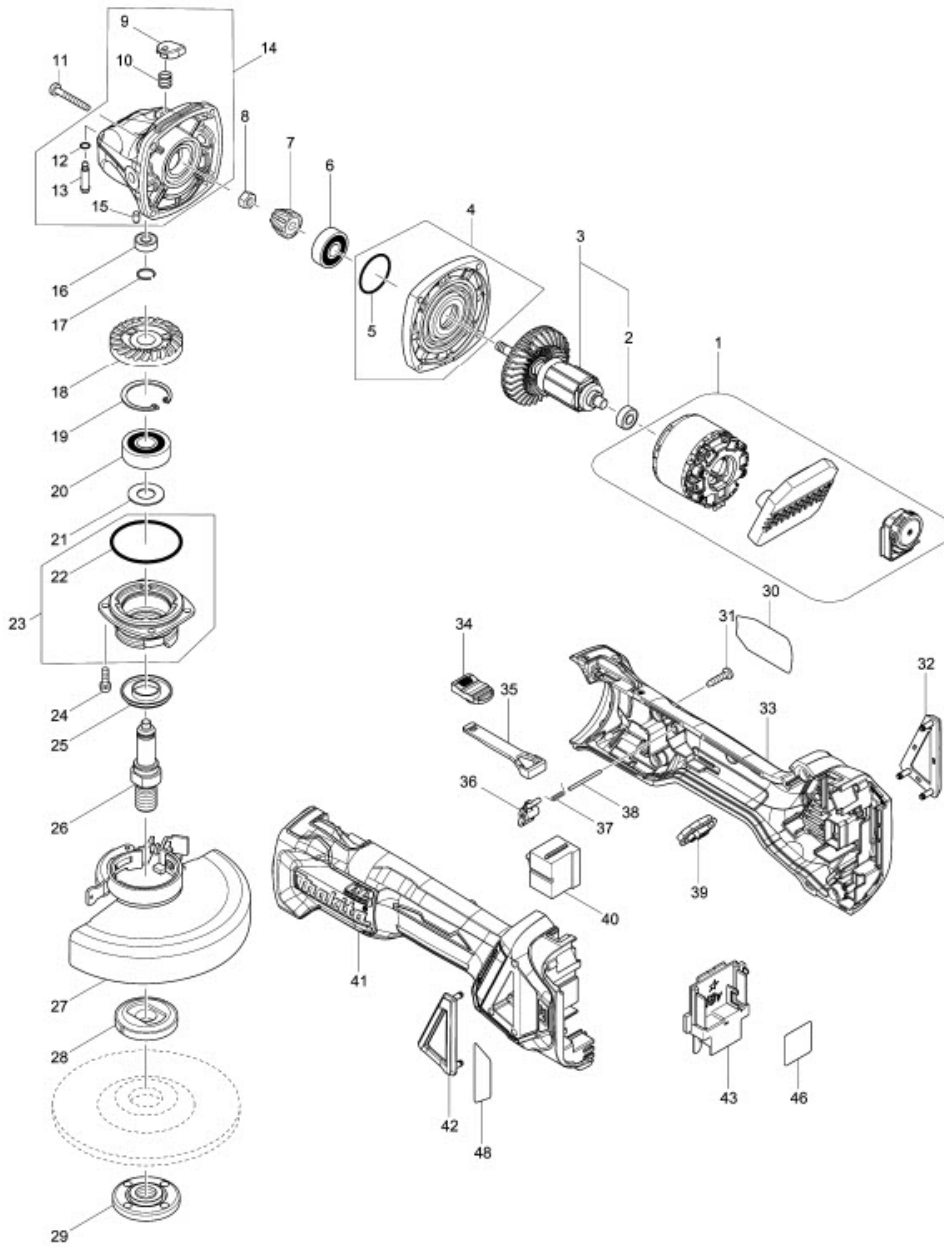


# Part Diagram

Model No.DGA511 125MM CORDLESS ANGLE GRINDER



| Item  | Sub | Parts No. | Parts Description              | Qty |
|-------|-----|-----------|--------------------------------|-----|
| 1     |     | 629296-0  | STATOR COMPLETE                | 1   |
| 2     |     | 210169-4  | BALL BEARING 607LLB            | 1   |
| 3     |     | 510329-1  | ROTOR ASS'Y                    | 1   |
| 3     | D10 |           | INC. 2                         |     |
| 4     |     | 135930-7  | GEAR HOUSING COVER ASSEMBLY    | 1   |
| 4     | D10 |           | INC. 5                         |     |
| 5     |     | 213445-5  | O-RING 26                      | 1   |
| 6     |     | 210042-8  | BALL BEARING 629LLB            | 1   |
| 7     |     | 227541-3  | SPIRAL BEVEL GEAR 10           | 1   |
| 007-1 |     | 226861-2  | SPIRAL BEVEL GEAR 10           | 1   |
| 8     |     | 252186-8  | HEX. NUT M6                    | 1   |
| 9     |     | 417771-6  | PIN CAP                        | 1   |
| 10    |     | 233072-2  | COMPRESSION SPRING 8           | 1   |
| 11    |     | 266361-0  | TAPPING SCREW 4X30             | 4   |
| 12    |     | 213960-9  | O RING 5                       | 1   |
| 13    |     | 256546-6  | SHOULDER PIN 4                 | 1   |
| 14    |     | 135929-2  | GEAR HOUSING ASSEMBLY          | 1   |
| 14    | D10 |           | INC. 9,10,12,13,15             |     |
| 15    |     | 263002-9  | RUBBER PIN 4                   | 1   |
| 16    |     | 210033-9  | BALL BEARING 696ZZ             | 1   |
| 17    |     | 233950-6  | RING SPRING 11                 | 1   |
| 18    |     | 227641-9  | SPIRAL BEVEL GEAR 37           | 1   |
| 018-1 |     | 226862-0  | SPIRAL BEVEL GEAR 37           | 1   |
| 19    |     | 962151-6  | RETAINING RING R-32            | 1   |
| 20    |     | 211129-9  | BALL BEARING 6201DDW           | 1   |
| 21    |     | 267113-2  | FLAT WASHER 12                 | 1   |
| 021-1 |     | 267238-2  | FLAT WASHER 12                 | 1   |
| 22    |     | 213622-9  | O RING 45                      | 1   |
| 23    |     | 135928-4  | BEARING BOX ASSEMBLY           | 1   |
| 23    | D10 |           | INC. 22                        |     |
| 24    |     | 911121-2  | PAN HEAD SCREW M4X14           | 4   |
| 25    |     | 345464-4  | LABYRINTH RING                 | 1   |
| 26    |     | 324954-0  | SPINDLE                        | 1   |
| 27    |     | 123145-8  | TOOLLESS WHEELCOVER 125AK ASSY | 1   |
| 27    | C10 | 213009-5  | O RING 4                       | 1   |
| 27    | C20 | 265180-1  | PAN HEAD SCREW M5X16           | 1   |
| 28    |     | 224490-5  | INNER FLANGE 14-45             | 1   |
| 29    |     | 224554-5  | LOCK NUT 14-45                 | 1   |
| 30    |     | 853X56-4  | DGA511 NAME PLATE              | 1   |
| 31    |     | 266326-2  | TAPPING SCREW 4X18             | 5   |
| 32    |     | 455450-8  | DUST COVER R                   | 1   |
| 33    |     | 183H82-6  | MOTOR HOUSING SET              | 1   |
| 33    | C10 | 263005-3  | RUBBER PIN 6                   | 2   |
| 33    | D10 |           | INC. 41                        |     |
| 34    |     | 455447-7  | SWITCH KNOB                    | 1   |
| 35    |     | 455446-9  | SWITCH LEVER                   | 1   |
| 36    |     | 455448-5  | LEVER                          | 1   |
| 37    |     | 231679-8  | TORSION SPRING 2               | 1   |
| 38    |     | 268330-7  | PIN 2                          | 1   |
| 39    |     | 142901-7  | INDICATOR PANEL COMPLETE       | 1   |
| 40    |     | 650579-7  | SWITCH 1246.3223               | 1   |
| 41    |     | 183H82-6  | MOTOR HOUSING SET              | 1   |
| 41    | C10 | 263005-3  | RUBBER PIN 6                   | 2   |
| 41    | D10 |           | INC. 33                        |     |
| 42    |     | 455449-3  | DUST COVER L                   |     |
| 43    |     | 643874-2  | TERMINAL                       |     |
| 46    |     | 853X59-8  | DGA511 SERIAL NO. LABEL        |     |
| 48    |     | 816D93-9  | INDICATION LABEL               | 1   |

| Item   | Sub | Parts No. | Parts Description        | Qty |
|--------|-----|-----------|--------------------------|-----|
| A01    |     | 158237-4  | GRIP 36 COMPLETE         | 1   |
| A02    |     | A-80656   | GRINDING WHEEL 125 WA36N | 1   |
| A03    |     | 782423-1  | LOCK NUT WRENCH 35       | 1   |
| A04B   |     | 450128-8  | BATTERY COVER            | 1   |
| A05B   |     | ***DC18RC | DC18RC FAST CHARGER      | 1   |
| A05B   | D10 |           | COMPO-PARTS              |     |
| A06B   |     | 197280-8  | BATTERY BL1850B SET      | 2   |
| A06-1B |     | 197280-8  | BATTERY BL1850B SET      | 2   |
| A07B   |     | 821734-0  | PLASTIC CASE             | 1   |
| A07B   | C10 | 162315-4  | LATCH                    | 2   |
| A07-1B |     | 821817-6  | PLASTIC CASE             | 1   |
| A07-1B | C10 | 162315-4  | LATCH                    | 2   |