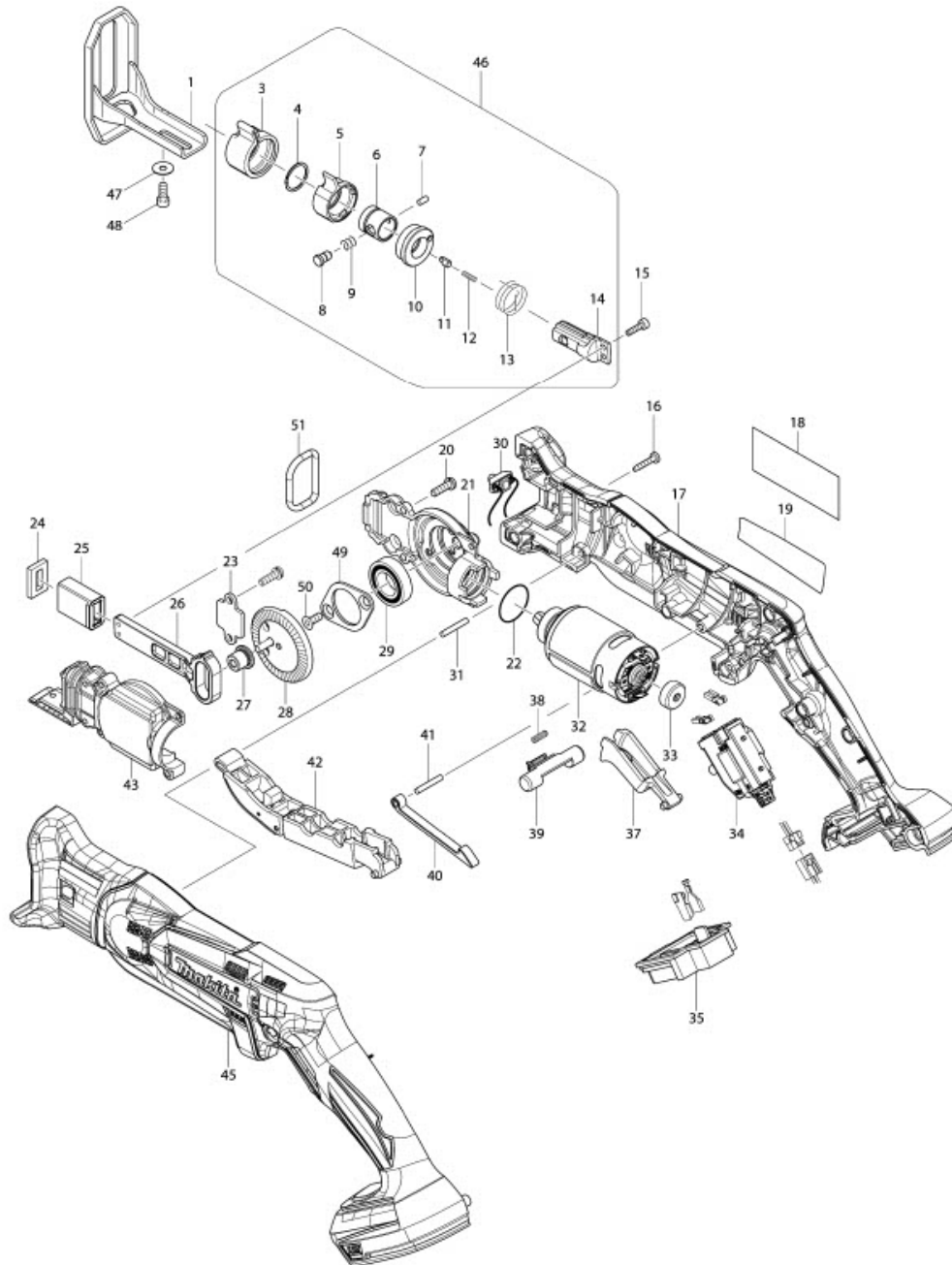


# Part Diagram

Model No.DJR183 CORDLESS RECIPRO SAW



Item	Sub	Parts No.	Parts Description	Qty
1		165740-8	SHOE	1
3		424466-4	PROTECTOR	1
4		257981-1	RETAINING RING (EXT)16	1
5		310496-0	DRIVING SLEEVE	1
6		331963-2	GUIDE SLEEVE	1
7		268094-3	PIN 3	1
8		256492-3	SHOULDER PIN 5	1
9		233345-3	COMPRESSION SPRING 6	1
10		453071-0	CONNECTING SLEEVE	1
11		310495-2	PUSH PIN	1
011-1		310859-0	PUSH PIN	1
011-2		310912-2	PUSH PIN	1
12		233025-1	COMPRESSION SPRING 2	1
012-1		232472-3	COMPRESSION SPRING 2	1
13		233594-2	TORSION SPRING 17	1
14		326113-2	BLADE GUIDE	1
15		265910-0	HEX. SOCKET HEAD BOLT M3X12	2
16		266429-2	TAPPING SCREW 3X16	10
17		187760-2	HOUSING SET	1
17	C10	263005-3	RUBBER PIN 6	2
17	C20	423475-0	SPONGE SHEET	1
17	D10		INC. 45	
19		814V98-1	DJR183 NAME PLATE	1
20		266747-8	PAN HEAD SCREW M4X14 WITH WM	5
21		319060-4	GEAR HOUSING	1
22		213961-7	O RING 22	1
23		346525-3	PLATE	1
24		443185-3	FELT SEAL	1
25		313220-0	SLIDER GUIDE	1
26		313271-3	SLIDER	1
27		313270-5	COLLARED SLEEVE 4	1
28		142284-5	GEAR COMPLETE	1
29		211242-3	BALL BEARING 6902ZZ	1
30		620237-9	LED CIRCUIT	1
31		256158-5	PIN 3	1
32		629105-3	DC MOTOR	1
33		424467-2	CAP	1
34		650712-1	SWITCH C3HY-1A-PRLMS	1
35		643852-2	TERMINAL	1
37		453072-8	SWITCH LEVER R	1
38		233438-6	COMPRESSION SPRING 4	1
39		454661-2	LOCK OFF LEVER R	1
40		313219-5	LINK	1
41		256158-5	PIN 3	1
42		141128-6	SWITCH LEVER F COMPLETE	1
43		319061-2	GEAR HOUSING COVER	1
45		187760-2	HOUSING SET	1
45	C10	263005-3	RUBBER PIN 6	2
45	C20	423475-0	SPONGE SHEET	1
45	D10		INC. 17	
46		126201-3	BLADE CLAMP ASSEMBLY	1
46	D10		INC. 3-14	
47		253874-0	FLAT WASHER 4	1
48		922112-8	HEX. SOCKET HEAD BOLT M4X10	1
49		285738-0	BEARING RETAINER 36	
50		265035-0	COUNTERSUNK HEAD SCREW M4X10	
51		424597-9	RUBBER RING 23	
A01		B-20432	RECIPROSAW BLADE 100MM	1

Item	Sub	Parts No.	Parts Description	Qty
A02		B-20404	RECIPROSAW BLADE 100MM	1
A03		783201-2	HEX. WRENCH 3	1
A04A		***DC18RC	DC18RC FAST CHARGER	1
A05-1A		196399-0	BATTERY BL1840 SET	2
A05-2A		197265-4	BATTERY BL1840B SET	2
A05-3A		197265-4	BATTERY BL1840B SET	2
A06A		450128-8	BATTERY COVER	1
A07A		821586-9	PLASTIC CARRYING CASE	1
A07A	C10	162315-4	LATCH	2
A07A	C20	452137-3	HANDLE	1