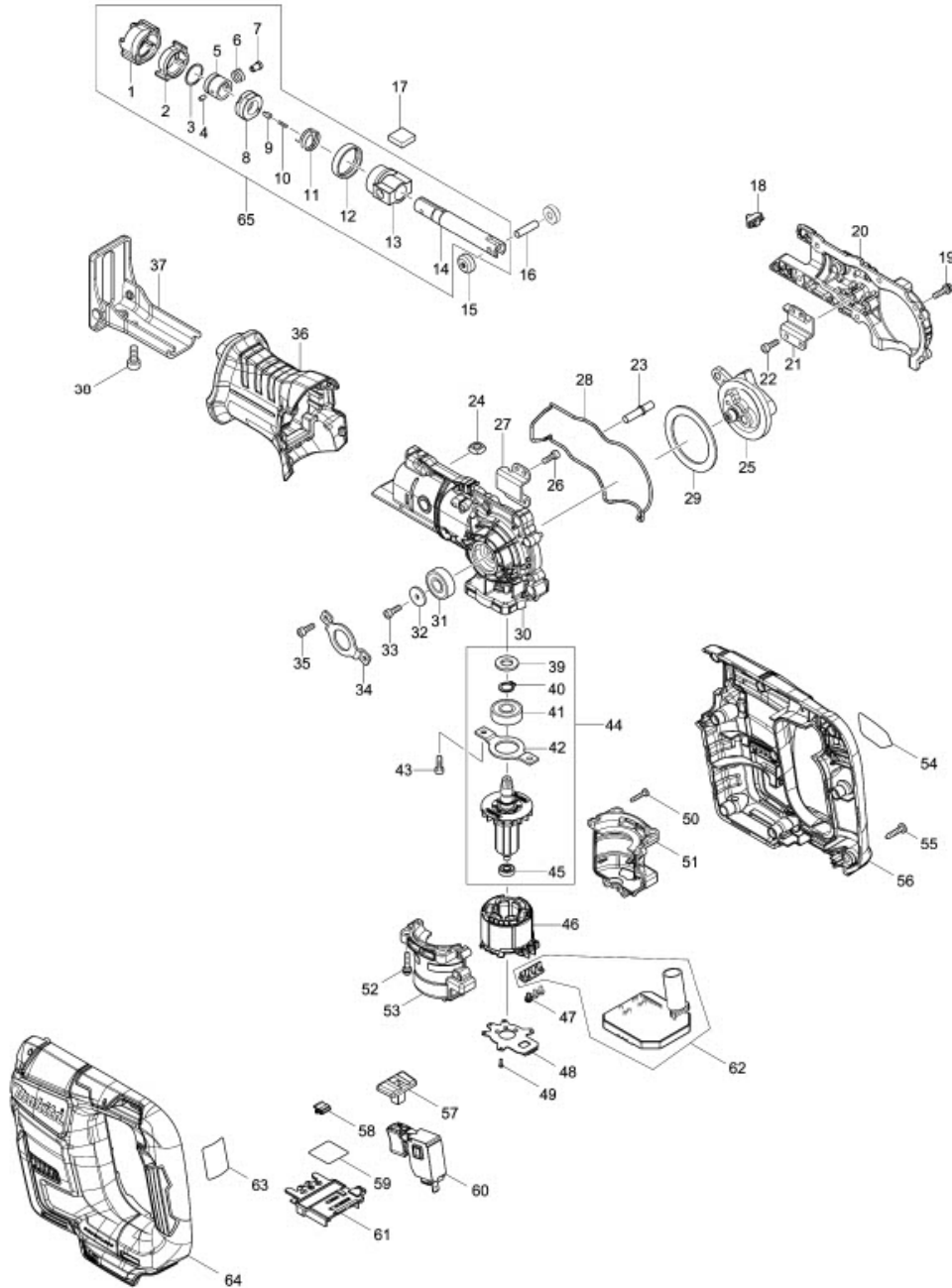


Part Diagram

Model No.DJR188 CORDLESS RECIPRO SAW



Item	Sub	Parts No.	Parts Description	Qty
1		422223-4	PROTECTOR	1
2		310848-5	DRIVING SLEEVE	1
3		257952-8	RETAINING RING (EXT) 18	1
003-1		257430-8	RETAINING RING(EXT)18	1
4		268094-3	PIN 3	1
5		331720-8	GUIDE SLEEVE	1
005-1		327043-0	GUIDE SLEEVE	1
6		234381-2	COMPRESSION SPRING 6	1
7		256569-4	SHOULDER PIN 5	1
8		458113-5	CONNECTING SLEEVE	1
008-1		458968-8	CONNECTING SLEEVE	1
9		310859-0	PUSH PIN	1
009-1		310912-2	PUSH PIN	1
10		233025-1	COMPRESSION SPRING 2	1
010-1		232472-3	COMPRESSION SPRING 2	1
11		233594-2	TORSION SPRING 17	1
12		424762-0	RUBBER RING	1
13		144012-4	SLIDER GUIDE COMPLETE	1
13	C10	213151-2	OIL SEAL 14	1
13	C20	213174-0	X RING 14	1
14		161796-9	SLIDER	1
15		310663-7	ROLLER	2
16		268341-2	PIN 6	1
17		424902-0	FELT 16X16	1
18		620434-7	LED CIRCUIT	1
19		911128-8	P.H.SCREW M4X16 WITH WR	6
20		144809-1	GEAR HOUSING R COMPLETE	1
21		347303-4	ROD GUIDE R	1
22		265353-6	HEX. SOCKET HEAD BOLT M4X12	2
23		256567-8	SHOULDER PIN 6-8	1
24		252157-5	SQUARE NUT M6	1
25		144806-7	GEAR COMPLETE	1
26		265353-6	HEX. SOCKET HEAD BOLT M4X12	2
27		347302-6	ROD GUIDE L	1
28		422224-2	SEAL RING	1
29		267336-2	FLAT WASHER 45	1
30		144808-3	GEAR HOUSING L COMPLETE	1
30	C10	213445-5	O-RING 26	1
31		210059-1	BALL BEARING 6000DDW	1
32		253400-5	FLAT WASHER 4	1
33		265353-6	HEX. SOCKET HEAD BOLT M4X12	1
34		285031-2	BEARING RETAINER 51	1
35		265353-6	HEX. SOCKET HEAD BOLT M4X12	2
36		422221-8	INSULATION COVER	1
37		161795-1	SHOE	1
38		265531-8	HEX.SOCKET HEAD BOLT M6X14	1
39		422225-0	FELT RING 10	1
40		961006-2	RETAINING RING S-10	1
41		210059-1	BALL BEARING 6000DDW	1
42		285032-0	BEARING RETAINER 55	1
43		265353-6	HEX. SOCKET HEAD BOLT M4X12	2
44		519457-9	ROTOR ASS'Y	1
44	D10		INC. 39-42,45	
45		210039-7	BALL BEARING 695DDW	1
46		629292-8	STATOR	1
47		652069-6	FLAT HEAD SCREW M3X6	3
48		620760-4	CONTROLLER B	1
49		266490-9	TAPPING SCREW PT 2X6	3

Item	Sub	Parts No.	Parts Description	Qty
50		266429-2	TAPPING SCREW 3X16	5
51		183H44-4	MOTOR HOUSING SET	1
51	D10		INC. 53	
52		911531-3	P.H.SCREW M4X18 WITH WRM	4
53		183H44-4	MOTOR HOUSING SET	1
53	D10		INC. 51	
54		853U83-3	DJR188 NAME PLATE	1
55		266326-2	TAPPING SCREW 4X18	9
56		183H42-8	HANDLE SET	1
56	C10	263005-3	RUBBER PIN 6	4
56	D10		INC. 64	
57		458114-3	LOCK OFF BUTTON	1
58		424517-3	CUSHION	1
59		853U91-4	DJR188 SERIAL NO. LABEL	1
60		650710-5	SWITCH C3JW-4B	1
61		643874-2	TERMINAL	1
62		620759-9	CONTROLLER A	1
64		183H42-8	HANDLE SET	1
64	C10	263005-3	RUBBER PIN 6	4
64	D10		INC. 56	
65		126722-5	SLIDER ASSEMBLY	1
65	D10		INC. 1-14	
065-1		127401-8	SLIDER ASSEMBLY	1
065-1	D10		INC. 1-14	
A01		B-20432	RECIPROSAW BLADE 100MM	1
A02		B-20404	RECIPROSAW BLADE 100MM	1
A05B		***DC18RC	DC18RC FAST CHARGER	1
A05B	D10		COMPO-PARTS	
A06B		197600-6	BATTERY BL1830B SET	2
A06-1B		197600-6	BATTERY BL1830B SET	2
A07B		450128-8	BATTERY COVER	1
A08B		821551-8	CONNECTOR PLASTIC CASE (TYPE3)	1
A08B	C10	453974-8	LATCH	4
A09B		816B23-8	DJR188RFJ PLASTIC CASE LABEL	2
A10B		816B21-2	DJR188RFJ INDICATION LABEL	1
A11B		839458-4	INNER TRAY	1