



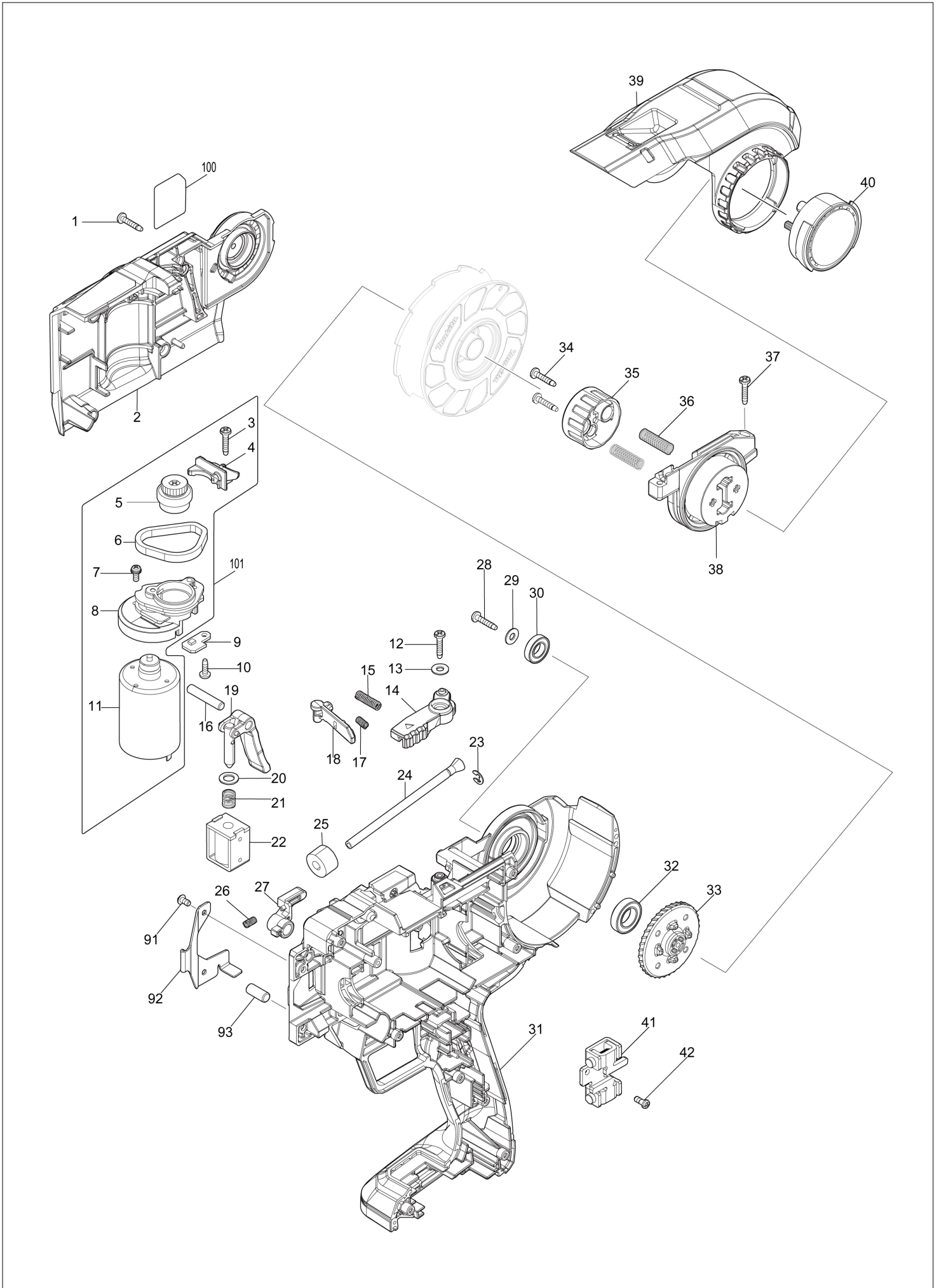
Diagram / Parts List

DTR180

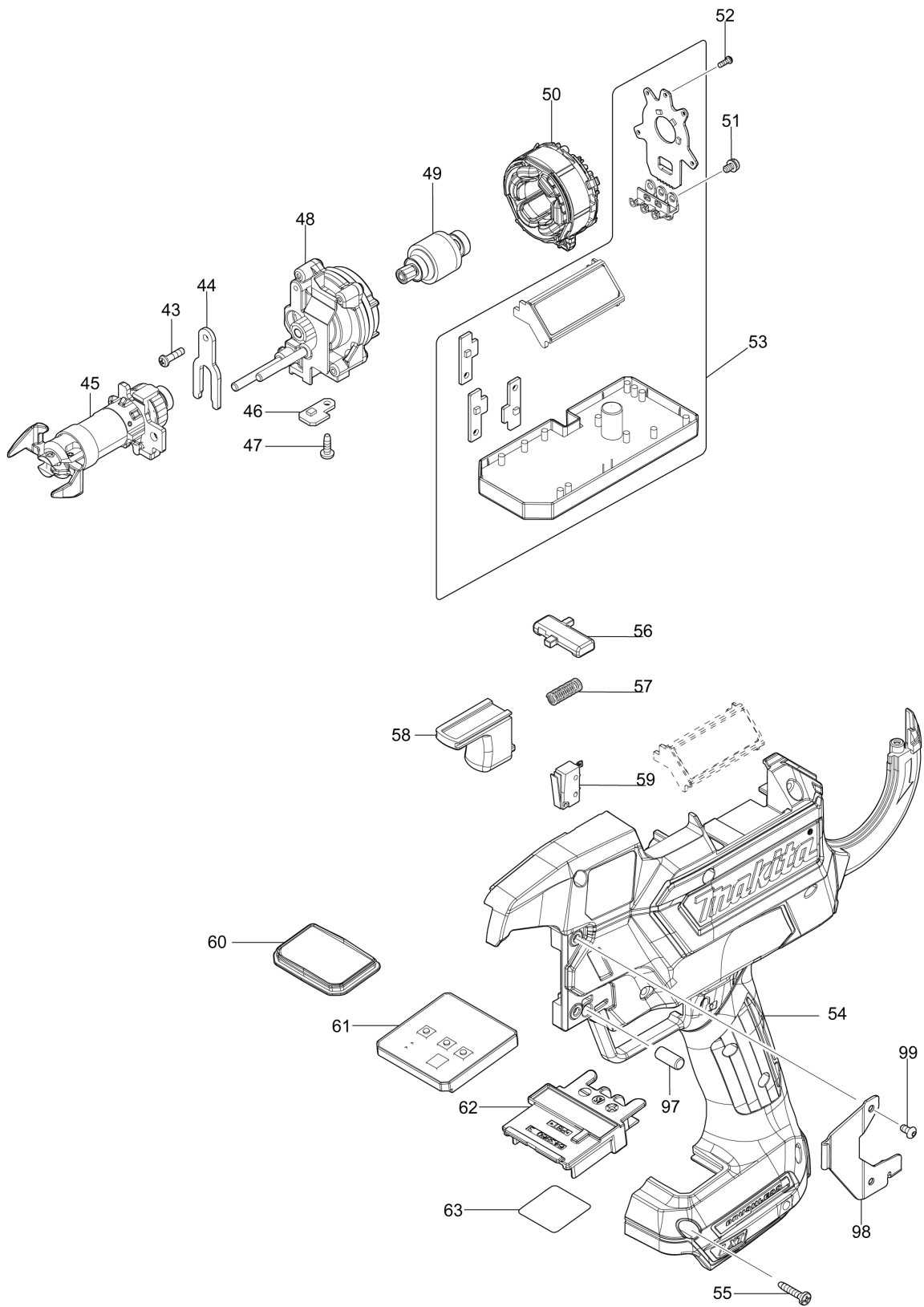
CORDLESS REBAR TYING TOOL



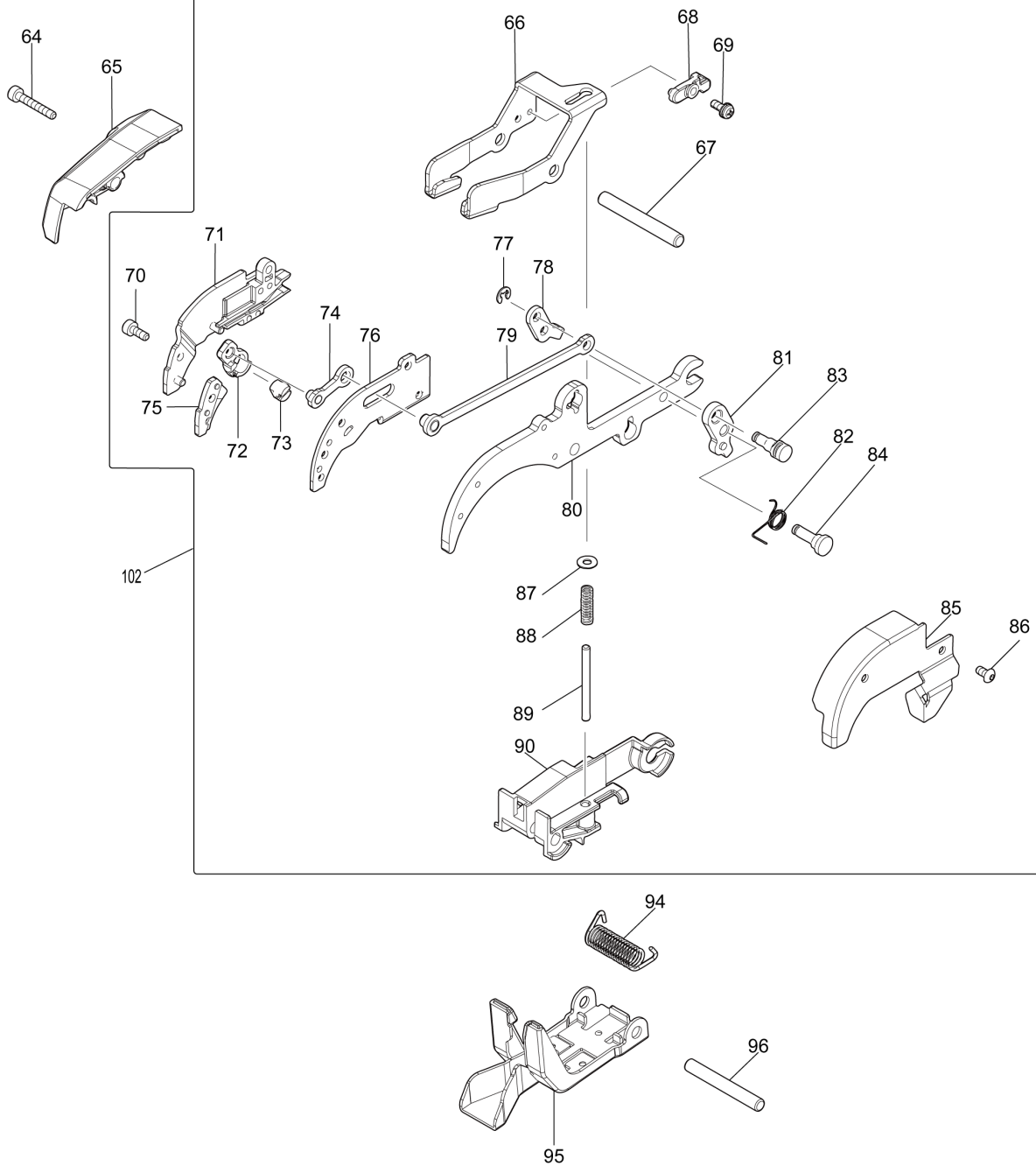
(SG) DTR180 / CORDLESS REBAR TYING TOOL



(SG) DTR180 / CORDLESS REBAR TYING TOOL



(SG) DTR180 / CORDLESS REBAR TYING TOOL



SG

SINGAPORE

DTR180 / CORDLESS REBAR TYING TOOL

Item	Sub	Parts No.	Parts Description	Qty	I/C	E/C No.	Close No.	Remark
001		266130-9	TAPPING SCREW BIND PT 3X16	4				
002		140B66-1	HOUSING COVER COMPLETE	1			C6270	
	C10	817A35-8	INDICATION LABEL A	1			C6270	
	C20	817A42-1	CAUTION LABEL A	1			C6270	
	C30	817A44-7	CAUTION LABEL B	1			C6270	
002-1		140J78-2	HOUSING COVER COMPLETE	1	S	C6270	D2333	
	C10	817A35-8	INDICATION LABEL A	1		C6270	D2333	
	C20	817A42-1	CAUTION LABEL A	1		C6270	D2333	
	C30	817A44-7	CAUTION LABEL B	1		C6270	D2333	
002-2		140V64-5	HOUSING COVER COMPLETE	1	O		D2333	
	C10	817A35-8	INDICATION LABEL A	1			D2333	
	C20	817A42-1	CAUTION LABEL A	1			D2333	
	C30	817A44-7	CAUTION LABEL B	1			D2333	
003		266130-9	TAPPING SCREW BIND PT 3X16	1				
004		310864-7	WIRE GUIDE A	1				
005		135968-2	SPUR GEAR 30A ASSEMBLY	1				
006		422247-0	SPONGE SHEET A	1				
007		911008-8	PAN HEAD SCREW M3X8	2				
008		458222-0	MOTOR BASE	1				
009		620913-5	SENSOR CIRCUIT	1				
010		266007-8	TAPPING SCREW BIND PT 3X10	1				
011		629346-1	DC MOTOR	1				
012		266130-9	TAPPING SCREW BIND PT 3X16	1				
013		941051-3	FLAT WASHER 4	1				
014		135969-0	RELEASE LEVER ASSY	1			DB513	
014-1		136548-7	RELEASE LEVER ASS'Y	1	<	DB513	DE268	
014-2		136675-0	RELEASE LEVER ASS'Y	1	O	DE268		
015		232443-0	COMPRESSION SPRING 3	1				
016		256098-7	PIN 5	1				
017		232442-2	COMPRESSION SPRING 3	1				
018		458223-8	LOCK LEVER	1				
019		140A85-1	BRAKE ARM COMPLETE	1				
020		941152-7	FLAT WASHER 6	1				
021		232446-4	COMPRESSION SPRING 7	1				
022		679032-4	SOLENOID	1				
023		961011-9	STOP RING E-4	1			C8429	
024		327112-7	WIRE GUIDE PIPE	1			C8429	
024-1		140L14-0	WIRE GUIDE PIPE COMPLETE	1	S	C8429		
025		422249-6	SPONGE SHEET B	1				
026		232442-2	COMPRESSION SPRING 3	1				
027		144901-3	MAGNET ARM CCOMPLETE	1				
028		266130-9	TAPPING SCREW BIND PT 3X16	1				
029		941051-3	FLAT WASHER 4	1				
030		211478-4	BALL BEARING 689	1				
031		183J56-9	HOUSING SET	1			DE268	
	C10	263005-3	RUBBER PIN 6	2			DE268	
	C20	252126-6	HEX. LOCK NUT M4-7	2			DE268	
	C30	931002-4	HEX. NUT M3	2			DE268	
	C40	817A46-3	CAUTION LABEL C	1			DE268	
	D10		INC. 54				DE268	
031-1		183W01-2	HOUSING SET	1	O	DE268		
	C10	263005-3	RUBBER PIN 6	2		DE268		
	C20	252126-6	HEX. LOCK NUT M4-7	2		DE268		
	C30	931002-4	HEX. NUT M3	2		DE268		
	C40	817A46-3	CAUTION LABEL C	1		DE268		
	D10		INC. 54			DE268		
032		211136-2	BALL BEARING 6801LLB	1				
033		144904-7	MAGNET WHEEL COMPLETE	1			C6270	
033-1		140H97-6	MAGNET WHEEL COMPLETE	1	S	C6270		
034		266130-9	TAPPING SCREW BIND PT 3X16	2				
035		319665-0	REEL BEARING	1			C6270	
035-1		319822-0	REEL BEARING	1	<	C6270		
036		231294-8	COMPRESSION SPRING 6	2				
037		266130-9	TAPPING SCREW BIND PT 3X16	2				
038		458225-4	REEL BASE	1				

Interchange
O : Yes
X : No
< : the new part can be substituted for the current.
> : the current part can be substituted for the new.
S : Interchangeable as a set.

SG

SINGAPORE

DTR180 / CORDLESS REBAR TYING TOOL

Item	Sub	Parts No.	Parts Description	Qty	I/C	E/C No.	Close No.	Remark
039		458216-5	REEL COVER	1				
040		458221-2	REEL BEARING CAM	1				
041		126743-7	STOPPER ASSEMBLY	1				
042		265199-0	+ PAN HEAD SCREW M3X8	2				
043		911017-7	PAN HEAD SCREW M3X12	1				
044		310866-3	BEARING RTAINER	1				
045		140B72-6	MAIN SLEEVE COMPLETE	1			C5345	
045-1		140J49-9	MAIN SLEEVE COMPLETE	1	<	C5345	DD648	
045-2		141D23-4	MAIN SLEEVE COMPLETE	1	O	DD648		
046		620913-5	SENSOR CIRCUIT	1				
047		266007-8	TAPPING SCREW BIND PT 3X10	1				
048		126838-6	GEAR ASSEMBLY	1				
049		619520-9	ROTOR	1				
050		629343-7	STATOR	1				
051		652069-6	FLAT HEAD SCREW M3X6	3				
052		266490-9	TAPPING SCREW PT 2X6	3				
053		140B68-7	MAIN CONTROLLER COMPLETE	1				
	C10	817A37-4	INDICATION LABEL B	1				
054		183J56-9	HOUSING SET	1			DE268	
	C10	263005-3	RUBBER PIN 6	2			DE268	
	C20	252126-6	HEX. LOCK NUT M4-7	2			DE268	
	C30	931002-4	HEX. NUT M3	2			DE268	
	C40	817A46-3	CAUTION LABEL C	1			DE268	
	D10		INC. 31				DE268	
054-1		183W01-2	HOUSING SET	1	O	DE268		
	C10	263005-3	RUBBER PIN 6	2		DE268		
	C20	252126-6	HEX. LOCK NUT M4-7	2		DE268		
	C30	931002-4	HEX. NUT M3	2		DE268		
	C40	817A46-3	CAUTION LABEL C	1		DE268		
	D10		INC. 31			DE268		
055		266130-9	TAPPING SCREW BIND PT 3X16	11				
056		458219-9	TRIGGER LOCK	1				
057		234037-7	COMPRESSION SPRING 5	1				
058		458220-4	TRIGGER	1				
059		632L94-5	SWITCH UNIT	1				
060		140B67-9	SWITCH PLATE COMPLETE	1				
	C10	817A39-0	INDICATION LABEL C	1				
061		620924-0	SWITCH CIRCUIT	1				
062		643860-3	TERMINAL	1				
063		854L26-4	DTR180 SERIAL NO. LABEL	1				
064		265633-0	HEX SOCKET HEAD BOLT M3X20	1				
065		458217-3	CONTACT PLATE COVER	1				
066		347331-9	CONTACT PLATE	1				
067		256573-3	PIN 5	1				
068		144903-9	MAGNET BASE B COMPLETE	1				
069		911008-8	PAN HEAD SCREW M3X8	1				
070		265634-8	HEX SOCKET HEAD BOLT M3X8	1				
071		140C95-0	WIRE GUIDE B COMPLETE	1				
072		310815-0	CUTTER B	1				
073		310814-2	CUTTER A	1				
074		161872-9	LINK ARM A COMPLETE	1				
075		347328-8	TOP PLATE	1				
076		347326-2	GUIDE PLATE A	1				
077		961017-7	STOP RING E-3	2				
078		347330-1	PULL PLATE	1			D1267	
078-1		347720-8	PULL PLATE	1	<	D1267		
079		161873-7	LINK ARM B COMPLETE	1				
080		347370-9	GUIDE ARM A	1				
081		347329-6	PUSH PLATE	1				
082		232445-6	TORSION SPRING 7	1				
083		256400-4	SHOULDER PIN 4	1				
084		256399-3	SHOULDER PIN 4	1				
085		347327-0	GUIDE PLATE B	1				
086		265635-6	H.S.BUTTON HEAD SCREW M3X6	2				
087		941001-8	FLAT WASHER 3	1				

Interchange

O : Yes

X : No

< : the new part can be substituted for the current.

> : the current part can be substituted for the new.

S : Interchangeable as a set.

