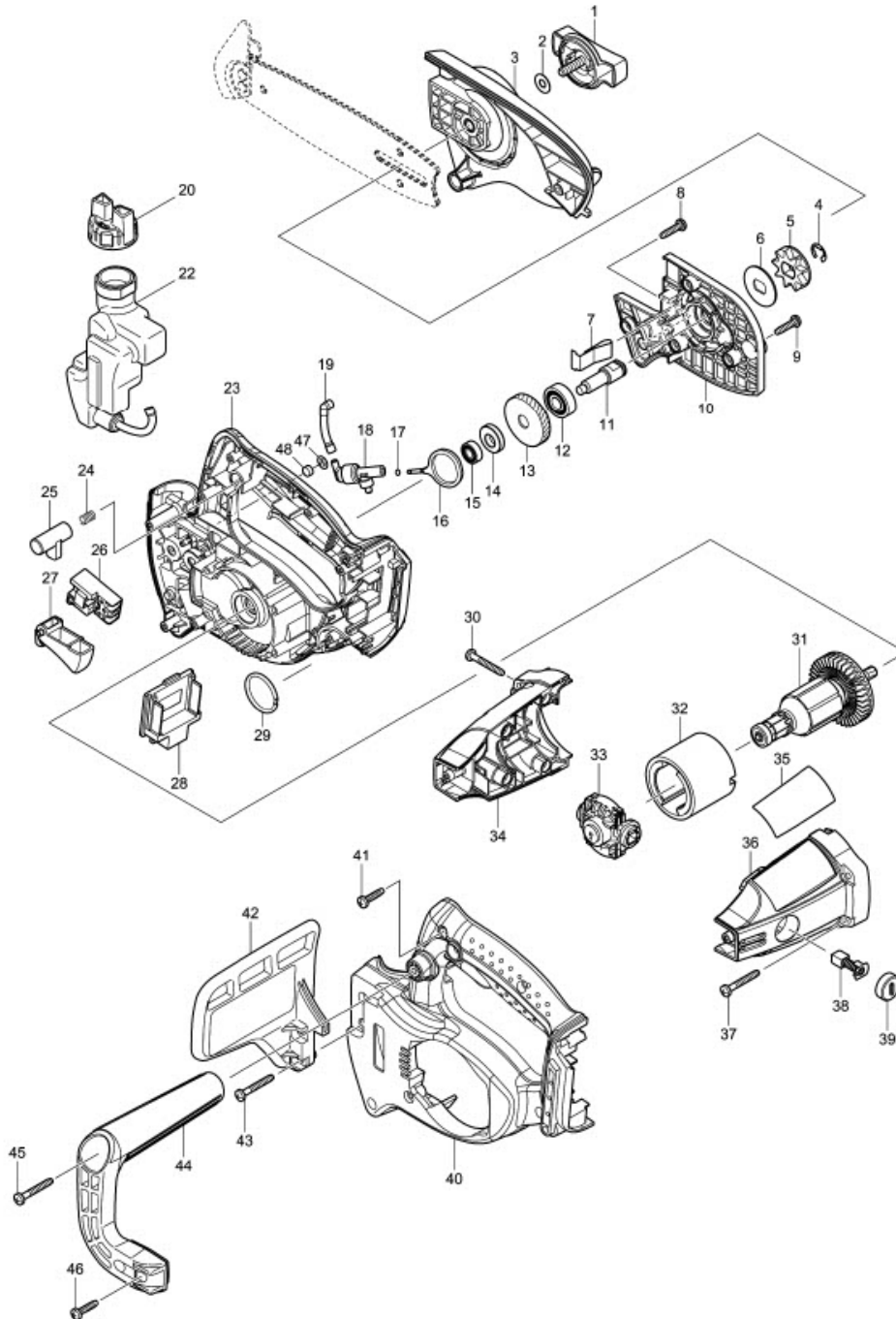


Part Diagram

Model No.DUC122 CORDLESS CHAIN SAW 115MM



Item	Sub	Parts No.	Parts Description	Qty
1		158472-4	KNOB 60 COMPLETE	1
1	C10	816905-2	INDICATION LABEL	1
2		267004-7	FLAT WASHER 6	1
3		158471-6	SPROCKET COVER COMPLETE	1
4		961014-3	STOP RING E-8	1
5		221527-9	SPROCKET 9	1
6		267732-4	LOCK WASHER 12	1
006-1		253442-9	LOCK WASHER 12	1
7		232238-1	LEAF SPRING	1
8		265995-6	TAPPING SCREW 4X18	1
9		265995-6	TAPPING SCREW 4X18	3
10		450213-7	BEARING HOUSING	1
11		323806-2	SPINDLE	1
12		211051-0	BALL BEARING 609LLB	1
13		226673-3	HELICAL GEAR 50	1
14		450436-7	CAM	1
15		210033-9	BALL BEARING 696ZZ	1
16		450435-9	CRANK	1
17		213993-4	O-RING 1.5	1
18		158571-2	OIL PUMP COMPLETE	1
19		421615-4	CONNECTOR	1
20		158810-0	TANK CAP COMPLETE	1
020-1		140L59-8	TANK CAP COMPLETE	1
22		158634-4	OIL TANK COMPLETE	1
23		187237-7	HANDLE SET	1
23	D10		INC. 40	
24		231470-4	COMPRESSION SPRING 6	1
25		416178-3	LOCK-OFF BUTTON	1
26		651956-6	SWITCH TG72BD	1
27		450212-9	SWITCH LEVER	1
28		644808-8	TERMINAL	1
29		257363-7	RING 30	1
30		265995-6	TAPPING SCREW 4X18	4
31		619225-1	ARMATURE	1
32		638138-7	YOKE UNIT	1
33		638608-6	ENDBELL COMPLETE	1
34		188468-1	MOTOR HOUSING SET	1
34	D10		INC. 36	
35		815W45-1	DUC122 NAME PLATE	1
36		188468-1	MOTOR HOUSING SET	1
36	D10		INC. 34	
37		266050-7	TAPPING SCREW 4X30	4
38		191971-3	CARBON BRUSH CB-430	1
39		643954-4	BRUSH HOLDER CAP	2
40		187237-7	HANDLE SET	1
40	D10		INC. 23	
41		265995-6	TAPPING SCREW 4X18	6
42		158620-5	FRONT HAND GUARD COMPLETE	1
42	C10	810377-3	CAUTION LABEL	1
43		266050-7	TAPPING SCREW 4X30	2
44		450217-9	FRONT HANDLE	1
45		266050-7	TAPPING SCREW 4X30	1
46		265995-6	TAPPING SCREW 4X18	2
47		259041-5	PUSH NUT 8	1
48		443125-1	FILTER	
A01		158476-6	GUIDE BAR 4.5 COMPLETE	
A01	C10	168450-6	GUIDE BAR 4.5	
A01-1		158476-6	GUIDE BAR 4.5 COMPLETE	1

Item	Sub	Parts No.	Parts Description	Qty
A01-1	C10	168450-6	GUIDE BAR 4.5	1
A02		416311-7	GUIDE BAR CASE	1
A03		182229-1	OIL SUPPLY 100CC	1
A03-1		199897-3	OIL VESSEL SET	1
A04		744003-1	FILE 4	1
A05-1A		196399-0	BATTERY BL1840 SET	2
A05-2A		197265-4	BATTERY BL1840B SET	2
A05-3A		197265-4	BATTERY BL1840B SET	2
A06A		450128-8	BATTERY COVER	1
A07A		***DC18RC	DC18RC FAST CHARGER	1
A08A		141494-1	PLASTIC CARRYING CASE	1
A08A	C10	163455-1	LATCH	2
A08A	C20	419360-3	HANDLE	1
A09A		804K20-0	DUC122RME PLASTIC CASE LABEL	1
A10		791284-8	CHAIN BLADE	1
E01		620265-4	CONTROLLER	1