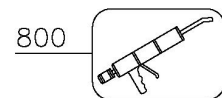
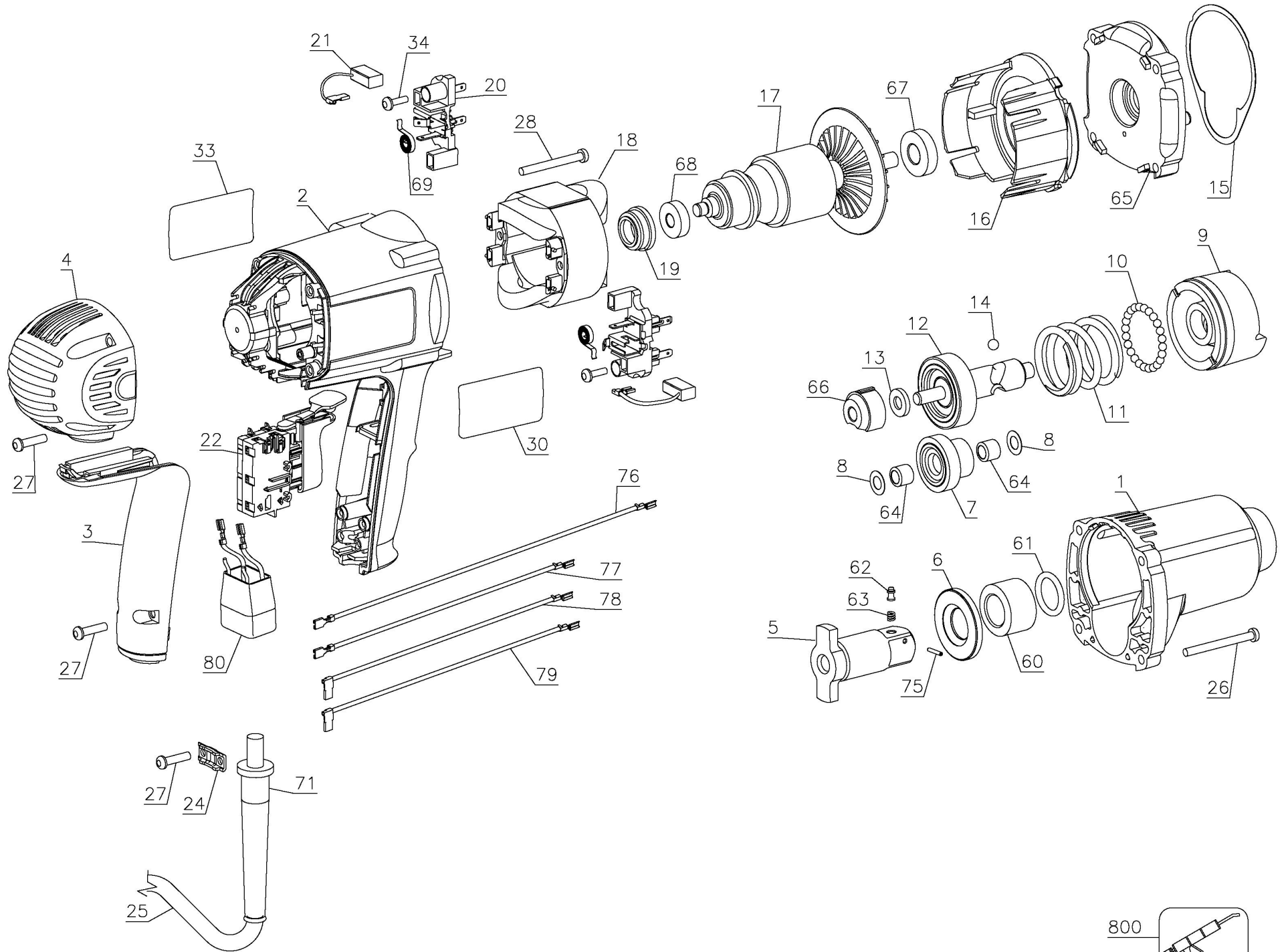


Parts List DW292 IMPACT WRENCH 2

Item	Part Number	Qty	Part Description	General Description	Other Info	Repair Inst	Markets
1	N822135	1	GEARCASE SA		Incl. 60,61	No	QS
2	616828-05	1	FIELD CASE			Yes	QS
3	616829-01	1	HANDLE COVER			No	QS
4	616830-00	1	END CAP			No	QS
5	627238-00SV	1	ANVIL ASSEMBLY		Incl.	No	QS
6	616859-00	1	WASHER THRUST		62,63,75	Yes	QS
7	135093-01SV	1	GEAR & PINION			No	QS
8	135089-00	2	WASHER			No	QS
9	628129-00	1	IMPACTOR			No	QS
10	000475-00	25	BALL STEEL			No	QS
11	618843-00	1	SPRING			No	QS
12	659923-00SV	1	GEAR & CAM SA			No	QS
14	618844-00	2	BALL STEEL			No	QS
15	616847-00	1	GASKET			No	QS
16	655537-00	1	BAFFLE FAN			No	QS
17	658751-01SV	1	ARMATURE 230V			No	QS
18	617862-01SV	1	FIELD			No	QS
19	445217-01	1	SLEEVE			No	QS
20	616857-00	2	BRUSH HOLDER			No	QS
21	617848-03	2	BRUSH 230V			No	QS
22	616849-00	1	SWITCH			No	QS
24	450877-00	1	CORD CLAMP			Yes	QS
25	330120-39	1	CORDSET (M/PLUG) QS			No	QS
26	330019-50	1	SCREW	M4.55x50 PLASTIC THD		No	QS
27	330019-13	8	SCREW	M4X19 T20		No	QS
28	330019-17	2	SCREW			No	QS
30	N431013	1	RATING PLATE			No	QS
33	605523-00	1	IDENTITY LABEL			No	QS
34	176951-00	2	SCREW			No	QS
60	N863052	1	SERVICE KIT			No	QS
61	N863052	1	SERVICE KIT		UP TO D/C	No	QS
62	N020802	1	DETENT		2020-30.	No	QS

Parts List DW292 IMPACT WRENCH 2

Item	Part Number	Qty	Part Description	General Description	Other Info	Repair Inst	Markets
63	038769-00	1	SPRING			No	QS
64	330004-02	2	BEARING NEEDLE			No	QS
65	616823-00SV	1	GEARCASE COVER SA		Incl. 66	No	QS
66	616841-00	1	BEARING BLOCK			Yes	QS
68	605040-06	1	BEARING,BALL			No	QS
69	383387-00	2	BRUSH SPRING			No	QS
71	148809-00	1	CORD PROTECTOR			No	QS
75	099205-07	1	ROLL PIN			No	QS
76	616852-00	1	LEAD BLUE			No	QS
77	616852-01	1	LEAD WHITE			No	QS
78	616852-02	1	LEAD BLACK			No	QS
80	N038758	1	CHOKE LEAD SA			No	QS
81	616853-01	1	CHOKE LEAD RED			No	QS
82	N055722	1	LEADWIRE			No	QS
83	N055724	1	LEAD BLACK			No	QS
800	429698-00	1	GREASE	BD-L 2		No	QS
836	233804-32	1	SERVICE TOOL		FOR ARMATURE	No	QS



Parts List for DW292 Type 1

Item Number	Part Number	Description	Qty Required
1	616822-00SV	GEAR CASE ASSY	1
2	616828-01	FIELD CASE	1
3	616829-00	HANDLE COVER	1
4	616830-00	END CAP	1
5	627238-00SV	ANVIL ASSY.	1
6	616859-00	THRUST WASHER	1
7	135093-01SV	GEAR & PINION	1
8	135089-00	WASHER	2
9	628129-00	IMPACTOR	1
10	475-00	BALL	25
11	618843-00	SPRING	1
12	659923-00SV	CAM & GEAR	1
13	450667-00	WASHER	1
14	618844-00	STEEL BALL	2
15	616847-00	GASKET	1
16	655537-00	FAN BAFFLE	1
17	658751-00SV	ARMATURE	1
18	617862-00SV	FIELD	1
19	445217-02	SLEEVE	1
20	616857-00	BRUSH HOLDER	2
21	655213-02	BRUSH	2
22	616848-00	SWITCH	1
23	617846-00	TRIGGER	1
24	450877-00	CORD CLAMP	1
25	330077-97	CORD/10 FT/18-2	1
26	330019-18	SCREW,PLASTITE	4
27	330019-13	SCREW,M4X19	8

Parts List for DW292 Type 1

Item Number	Part Number	Description	Qty Required
28	330019-17	SCREW	2
33	605523-00	ID LABEL	1
34	176951-00	SCREW	2
36	616875-00	NAMEPLATE	1
37	616876-00	WARNING LABEL	1
60	616844-00	SLEEVE BEARING	1
61	616863-00	O-RING	1
62	N020802	DETENT PIN	1
63	038769-00	SPRING	1
64	330004-02	BEARING,NEEDLE	2
65	616823-00SV	GEAR CASE COVER ASSY	1
66	616841-00	BEARING BLOCK	1
67	330003-09	BEARING,BALL	1
68	330003-04	BEARING,BALL	1
69	383387-00	SPRING,BRUSH	2
70	137646-00	TERMINAL	7
71	148809-00	PROTECTOR,CORD	1
73	445964-00	RECEPTACLE	3
75	99205-07	PIN,ROLL	1
90	94783-00	KIT,1/2 DET.PIN	1
800	429698-00	GREASE:4 LB CAN	1
836	233804-32	SRT PRESS PLATE	1
861	630094-00	KITBOX	1
862	N037466	TOOL BAG	1