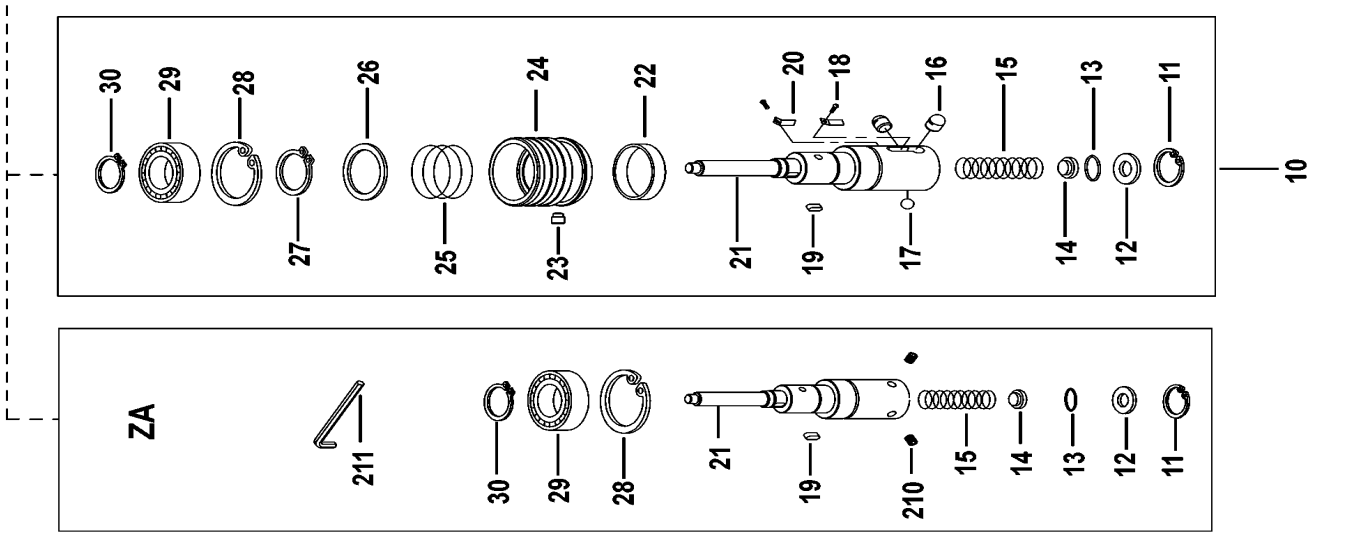
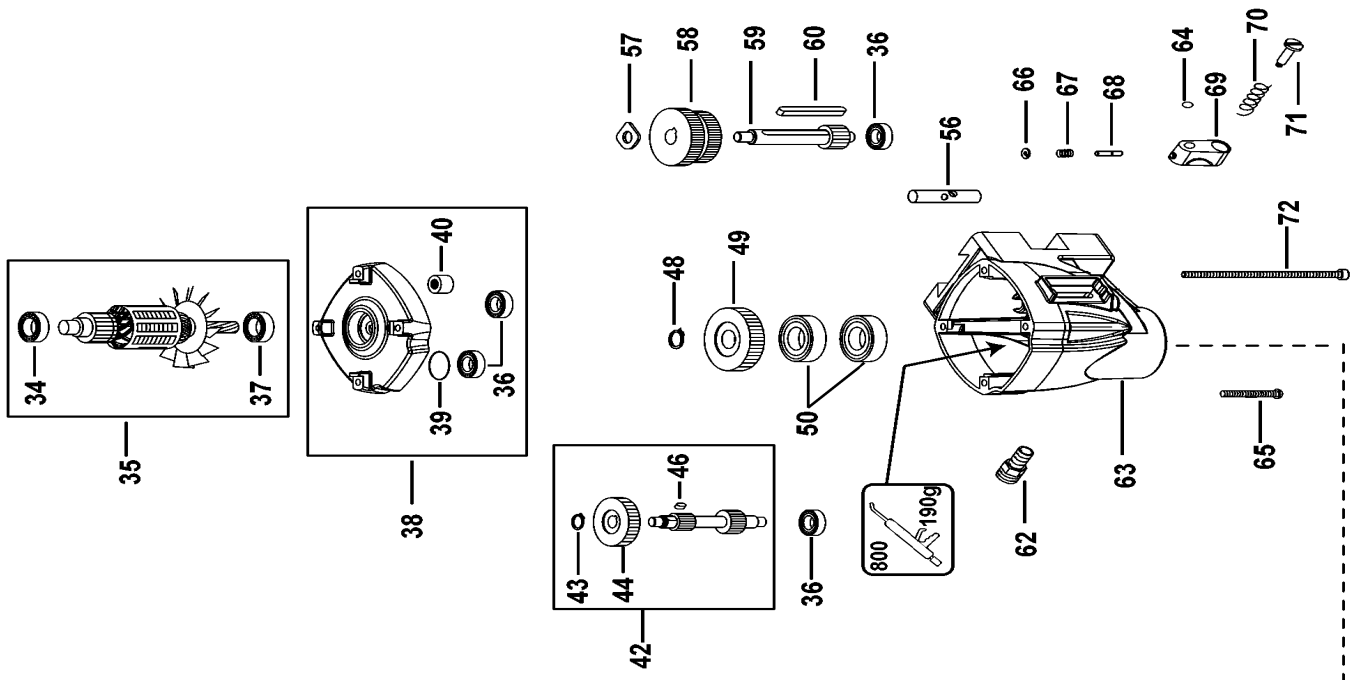
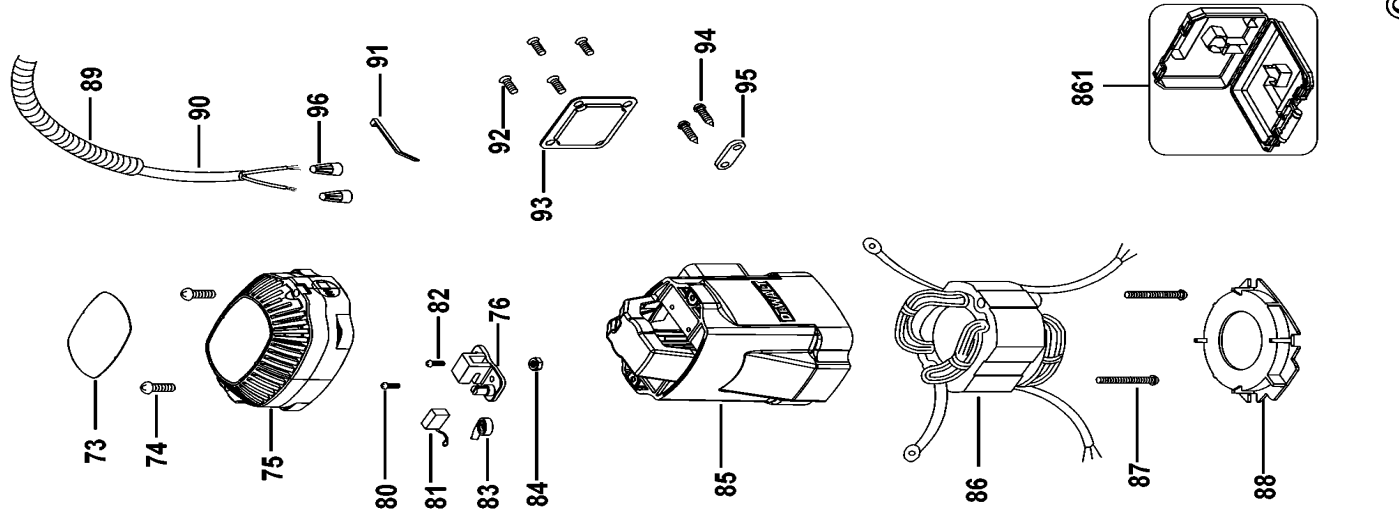
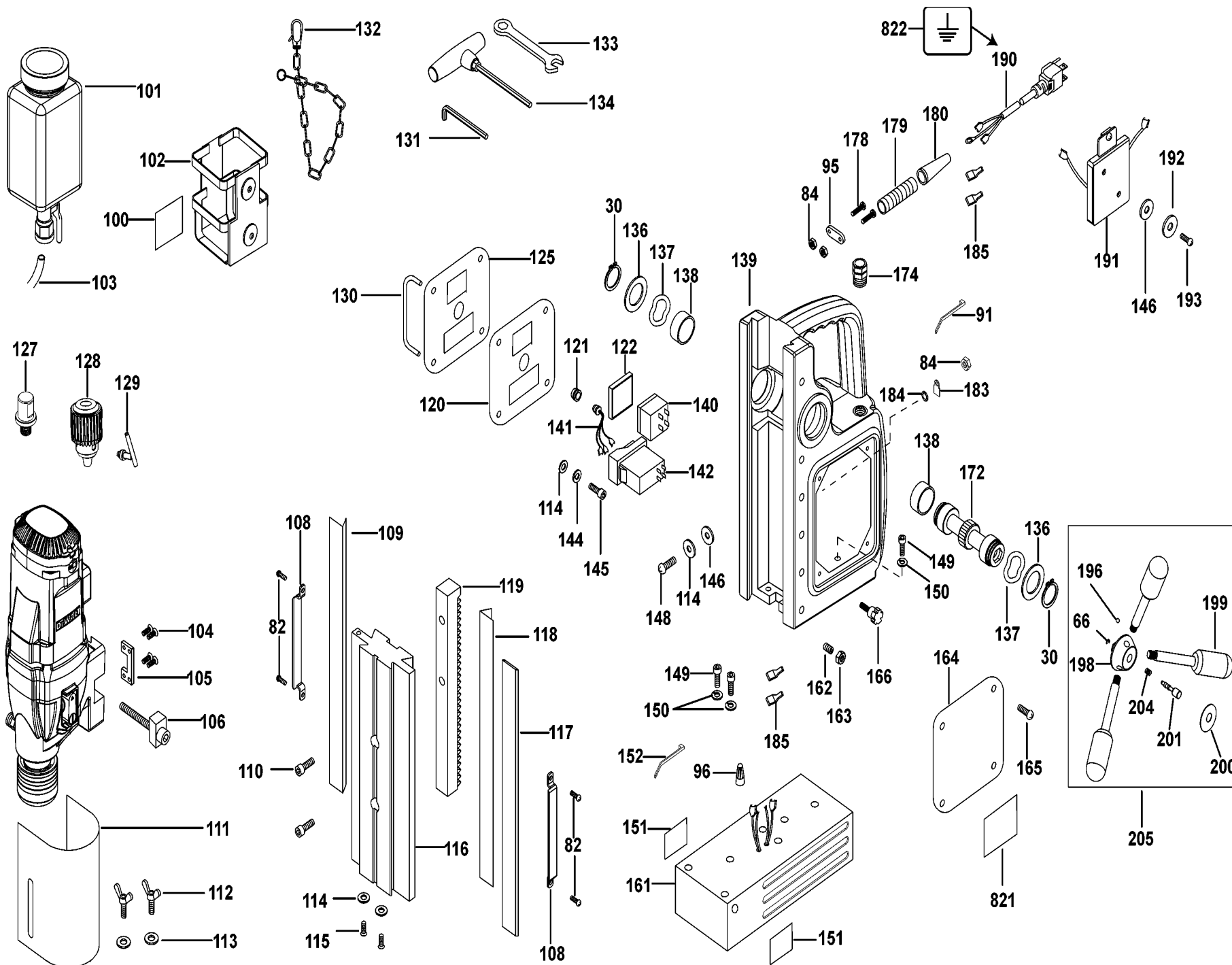


DWE1622K Motor MAG DRILL STAND 1

©





Parts List DWE1622K MAG DRILL STAND 1

Item	Part Number	Qty	Part Description	General Description	Other Info	Repair Inst	Markets
10	1004685-00	1	SPINDLE SA			No	
11	1004685-01	1	RING			No	
12	1004685-02	1	WASHER			No	
13	1004685-03	1	RING			No	
14	1004685-04	1	SEAL			No	
15	1004685-05	1	SPRING			No	
16	1004685-06	2	DETENT			No	
17	1004685-07	1	BALL STEEL			No	
18	1004685-08	2	SCREW	M3 x 4		No	
19	1004685-09	1	KEY			No	
20	1004685-10	2	LEAF SPRING			No	
21	1004685-11	1	SPINDLE			No	QS
22	1004685-12	1	BAND			No	
23	1004685-13	1	DETENT			No	
24	1004685-14	1	SLEEVE			No	
25	1004685-15	1	SPRING			No	
26	1004685-16	1	WASHER			No	
27	1004685-17	1	RING			No	
28	1004685-18	1	RING			No	
29	1004685-19	1	BEARING,BALL			No	
30	1004685-20	3	RING			No	
34	1004685-31	1	BEARING 608	608 DSD07		No	
35	1004685-22	1	ARMATURE 240V			No	QS
36	1004685-23	4	BEARING,BALL			No	
37	1004685-24	1	BEARING,BALL			No	
38	1004685-87	1	GEARCASE COVER		<242013	No	
39	1004685-86	1	O RING		>242013	No	
40	1004685-26	1	BEARING,NEEDLE			No	
42	1004685-27	1	INTERSHAFT SA	Inc 43,44,46		No	
43	1004685-28	1	RING			No	
44	1004685-29	1	GEAR			No	
46	1004685-30	1	WOODRUFF KEY			No	
48	1004685-32	1	RING			No	

Parts List DWE1622K MAG DRILL STAND 1

Item	Part Number	Qty	Part Description	General Description	Other Info	Repair Inst	Markets
49	1004685-33	1	GEAR			No	
50	1004685-34	2	SEAL			No	
56	1004685-35	1	SLIDER			No	
57	1004685-36	1	PLATE			No	
58	1004685-37	1	GEAR			No	
59	1004685-38	1	SHAFT SA			No	
60	1004685-39	1	WOODRUFF KEY			No	
62	1004685-40	1	COUPLING			No	
63	1004685-41	1	GEARCASE	inc 50 x 2 + 36 x 2		No	
64	1004685-76	1	LABEL			No	
65	1004685-42	2	SCREW	M5 x 65		No	
66	1004685-43	3	CLIP			No	
67	1004685-44	1	SPRING			No	
68	1004685-45	1	PIN			No	
69	1004685-46	1	SELECTOR			No	
70	1004685-47	1	SPRING			No	
71	1004685-48	1	SCREW			No	
72	1004685-49	2	SCREW	M5 x110		No	
73	N176013	1	BRAND LABEL			No	
74	1004685-50	2	SCREW	M4 x 30		No	
75	1004685-51	1	END CAP			No	
76	1004685-52	2	BRUSH HOLDER			No	
80	1004685-53	4	SCREW	M4 x12		No	
81	1004685-54	1	BRUSH PAIR			No	
82	1004685-56	6	SCREW	M4 x 10		No	
83	1004685-57	2	BRUSH SPRING			No	
84	1004685-58	6	NUT	M4		No	
85	1004685-59	1	FIELD CASE			No	
86	1004685-60	1	FIELD 230V			No	QS
87	1004685-55	2	SCREW	M5 X 60		No	
88	1004685-62	1	BAFFLE FAN			No	
89	1004685-63	1	SLEEVE			No	
90	1004685-64	1	LEADWIRE			No	

Parts List DWE1622K MAG DRILL STAND 1

Item	Part Number	Qty	Part Description	General Description	Other Info	Repair Inst	Markets
91	1004685-65	2	CABLE TIE			No	
92	1004685-66	4	SCREW			No	
93	1004685-67	1	COVERPLATE			No	
94	1004685-68	2	SCREW			No	
95	1004685-69	2	CLAMP			No	
96	1004685-70	3	CONNECTOR			No	
100	1004685-71	1	LABEL			No	
101	1004686-00	1	TANK			No	
102	1004686-01	1	HOLDER			No	
103	1004686-02	1	TUBE			No	
104	1004686-03	4	SCREW	M4 x 10		No	
105	1004686-04	1	PLATE			No	
106	1004686-05	1	CLAMP SA			No	
108	1004686-07	2	BRACKET			No	
109	1004686-08	1	GUIDE			No	
110	1004686-09	2	SCREW	M6 x 16		No	
111	1004686-10	1	GUARD			No	
112	1004686-11	2	THUMBSCREW	M6 X 10		No	
113	1004686-12	2	WASHER			No	
114	1004686-13	7	WASHER			No	
115	1004686-14	2	SCREW	M4 x 6		No	
116	1004686-15	1	SLIDER			No	
117	1004686-16	1	SHIM			No	
118	1004686-17	1	GUIDE			No	
119	1004686-18	1	RACK			No	
120	1004686-19	1	COVERPLATE			No	
121	1004686-20	1	FRAME			No	
122	1004686-21	1	COVER			No	
125	N176015	1	LABEL			No	
127	1004685-73	1	ADAPTOR			No	
128	1004685-74	1	CHUCK	16mm		No	
129	1004685-75	1	CHUCK KEY			No	
130	1004686-22	2	GUARD			No	

Parts List DWE1622K MAG DRILL STAND 1

Item	Part Number	Qty	Part Description	General Description	Other Info	Repair Inst	Markets
131	1004686-23	1	HEX KEY		2.5mm	No	
132	1004686-24	1	CHAIN			No	
133	1004686-25	1	SPANNER			No	
134	1004686-26	1	HEX KEY	M6		No	
136	1004686-28	2	WASHER			No	
137	1004686-29	2	WASHER THRUST			No	
138	1004686-30	2	BUSHING			No	
139	1004686-31	1	BODY	Inc 174+138		No	
140	1004686-32	1	SWITCH			No	
141	1004686-33	1	LED LIGHT			No	
142	1004686-34	1	SWITCH 240V			No	QS
144	1004686-37	4	WASHER			No	
145	1004686-38	4	SCREW	M4 x 16		No	
146	1004686-39	3	WASHER			No	
148	1004686-40	1	SCREW			No	
149	1004686-41	3	SCREW	M6 x 20		No	
150	1004686-42	3	WASHER LOCK			No	
151	N176016	2	LABEL			No	
152	1004686-68	1	CABLE TIE			No	
161	1004685-85	1	ELECTRO MAGNET	230v		No	QS
162	1004686-45	5	GRUB SCREW			No	
163	1004686-46	5	NUT			No	
164	1004686-47	1	COVERPLATE			No	
165	1004686-48	4	SCREW	M4 X 8		No	
166	1004686-49	1	THUMBSCREW			No	
172	1004686-52	1	SHAFT SA			No	
174	1004686-53	1	GLAND			No	
178	1004686-56	2	SCREW	M4 X 30		No	
179	1004686-57	1	SLEEVE			No	
180	1004686-58	1	CORD PROTECTOR			No	
183	1004686-77	1	LABEL			No	
184	1004686-78	1	WASHER LOCK			No	
185	1004686-59	4	SLEEVE INSULATING			No	

Parts List DWE1622K MAG DRILL STAND 1

Item	Part Number	Qty	Part Description	General Description	Other Info	Repair Inst	Markets
190	1004685-78	1	CORDSET			No	QS
191	1004686-65	1	ELECTRONIC 230V			No	QS
192	1004686-79	2	WASHER			No	
193	1004686-67	2	SCREW	M5 X 20		No	
196	1004686-70	1	INSERT			No	
198	1004686-72	1	BOSS			No	
199	1004686-73	3	HANDLE SA			No	
200	N176014	1	LABEL			No	
201	1004686-74	1	PLUNGER			No	
204	1004686-75	1	SPRING			No	
205	1004686-76	1	ELEVATING HANDLE			No	
800	5140061-28	1	GREASE	400gms - 14 oz		No	
821	N176003	1	RATING PLATE			No	QS
822	N296439	1	WARNING LABEL			No	
861	1004685-72	1	KITBOX			No	