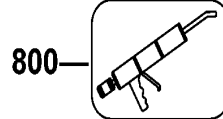
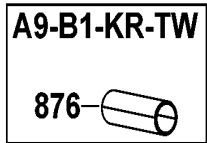
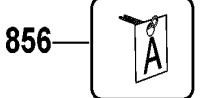
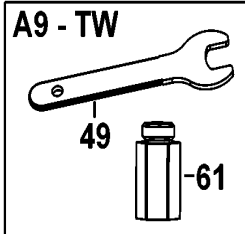
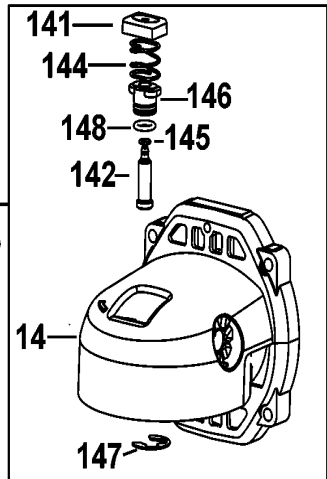
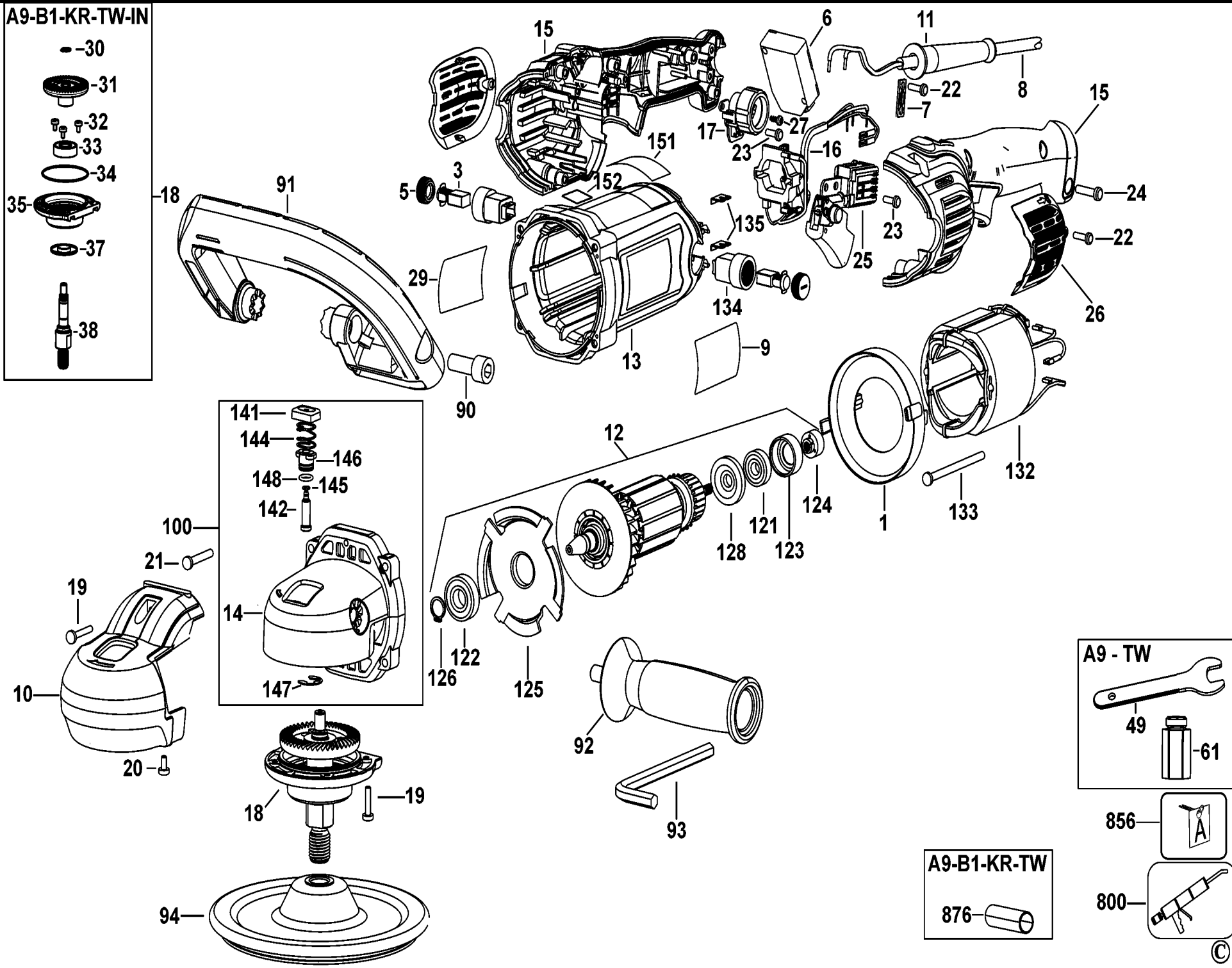
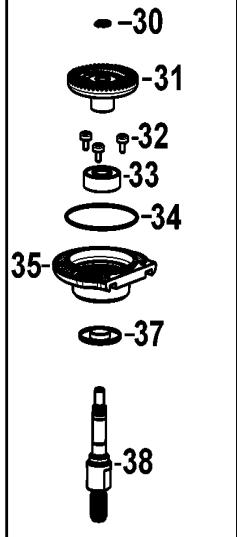


A9-B1-KR-TW-IN



## Parts List DWP849X POLISHER 1

Item	Part Number	Qty	Part Description	General Description	Other Info	Repair Inst	Markets
1	N024146	1	BAFFLE FAN			No	QS
3	N103593	1	BRUSH PAIR 230V			No	QS
5	N024448	1	BRUSH CAP			No	QS
6	N089177	1	CONTROL MODULE SA			No	QS
7	930103-00	1	CORD CLAMP			No	QS
8	N060515	1	CORDSET (EURO)			No	QS
9	605523-00	1	IDENTITY LABEL			No	QS
10	N048091	1	BUMPER			No	QS
11	N302859	1	CORD PROTECTOR			No	QS
12	N419337	1	ARMATURE 230V			No	QS
13	N020976	1	FIELD CASE			No	QS
14	N119820	1	GEAR CASE SA			No	QS
15	N020852	1	HANDLE SA			No	QS
16	N026961	1	WIRE HARNESS			No	QS
17	N036455	1	POTENTIOMETER SA			No	QS
18	N107293	1	GEAR & SPINDLE SA			No	QS
19	330045-06	5	SCREW			No	QS
20	330045-44	2	SCREW			No	QS
21	330019-45	4	SCREW			No	QS
22	330019-02	4	SCREW			No	QS
23	330019-01	2	SCREW			No	QS
24	330019-13	5	SCREW	M4X19 T20		No	QS
25	N024326	1	SWITCH			No	QS
26	N048024	2	FILTER/DEFLECTOR			No	QS
27	N086775	1	SCREW			No	QS
29	NA050080	1	RATING LABEL			No	QS
36	N401529	1	SEAL			No	QS
90	383450-00	2	SCREW			No	QS
91	N034970	1	HANDLE UPPER			No	QS
92	N058043	1	SIDE HANDLE			No	QS
93	N080692	1	HEX KEY 8 MM			No	QS
94	N081419	1	SANDING PAD			No	QS

## Parts List DWP849X POLISHER 1

Item	Part Number	Qty	Part Description	General Description	Other Info	Repair Inst	Markets
100	N107294	1	GEARCASE SA			No	QS
121	N110358	1	BEARING			No	QS
122	N079012	1	BEARING			No	QS
123	N101909	1	BEARING HOLDER			No	QS
124	N027942	1	MAGNET			No	QS
125	N022834	1	RETAINING PLATE			No	QS
126	N027674	1	RETAINER			No	QS
128	393238-00	1	SHIELD			No	QS
132	N865620	1	FIELD			No	QS
133	330044-23	2	SCREW			No	QS
134	N172018	2	BRUSH HOLDER			No	QS
135	N034419	2	TERMINAL			No	QS
141	N046147	1	LOCK BUTTON			No	QS
142	N027961	1	LOCK PIN			No	QS
144	N073927	1	SPRING			No	QS
145	N110454	1	O RING			No	QS
146	N109692	1	INSERT			No	QS
147	N100221	1	RETAINER			No	QS
148	N119059	1	O RING			No	QS
151	N081343	1	WARNING LABEL			No	QS
800	286436-00	1	GREASE	NYE RHEOLUBE 380, 50		No	QS
856	N099442	1	PAD			No	QS