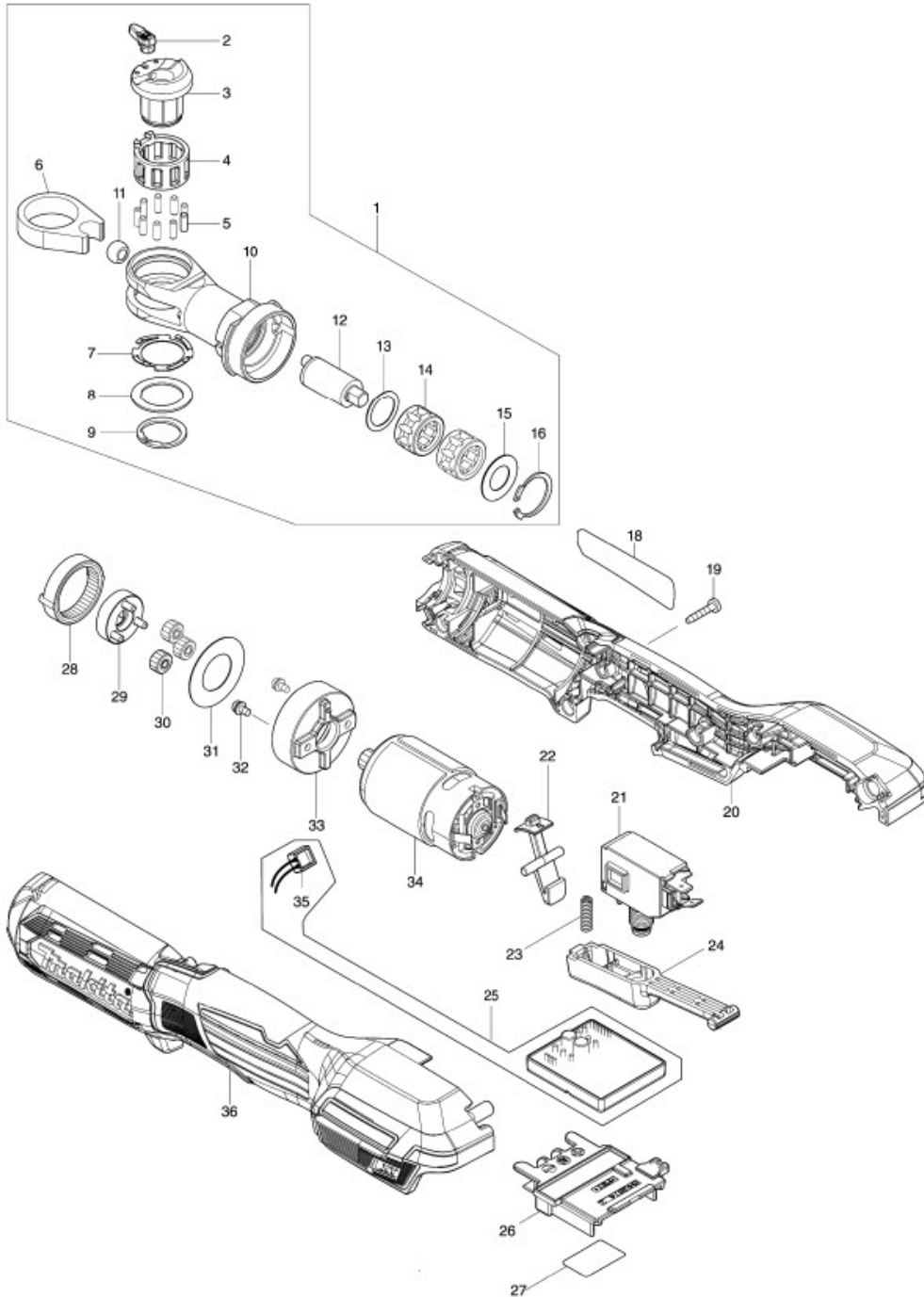


Part Diagram

Model No.DWR180 CORDLESS RATCHET WRENCH



Item	Sub	Parts No.	Parts Description	Qty
1		127297-7	HEAD ASSEMBLY	1
1	D10		INC. 2-16	
001-1		127297-7	HEAD ASSEMBLY	1
2		140K70-4	LEVER COMPLETE	1
3		327360-8	ANVIL	1
4		310954-6	RETAINER RING	1
5		256963-0	PIN 3	9
6		327357-7	RATCHET RING	1
7		232531-3	LEAF SPRING	1
8		253440-3	FLAT WASHER 19	1
9		961078-7	RETAINING RING (EXT) S-18	1
10		327356-9	RATCHET HEAD	1
11		327359-3	BUSH	1
12		327358-5	SPINDLE	1
13		253450-0	FLAT WASHER 15	1
14		212228-0	NEEDLE CAGE 1412	2
15		253449-5	FLAT WASHER 12	1
16		962112-6	RETAINING RING R-22	1
18		857Y46-5	DWR180 NAME PLATE	1
19		266429-2	TAPPING SCREW 3X16	7
20		183R89-2	HOUSING SET	1
20	C10	263005-3	RUBBER PIN 6	2
20	D10		INC. 36	
21		651391-8	SWITCH C3JW-6BM-PN	1
22		459422-5	LOCK LEVER	1
23		232353-1	COMPRESSION SPRING 4	1
24		459421-7	SWITCH LEVER	1
25		620E21-2	CONTROLLER	1
25	D10		INC. 35	
26		643874-2	TERMINAL	1
27		857Y53-8	DWR180 SERIAL NO. LABEL	1
28		226897-1	INTERNAL GEAR 41	1
29		140K71-2	CARRIER COMPLETE	1
30		226898-9	SPUR GEAR 14	3
31		267235-8	FLAT WASHER 18	1
32		265A38-0	P.H.SCREW M3X6 WITH WR	2
33		310953-8	INTERNAL GEAR CASE	1
34		629A32-0	DC MOTOR	1
35		620B10-9	LED CIRCUIT	1
36		183R89-2	HOUSING SET	1
36	C10	263005-3	RUBBER PIN 6	2
36	D10		INC. 20	
A01		191A50-3	SOCKET ADAPTOR 9.5 SET	1
A01	C10	231952-6	RING SPRING 12	1
A02		191A51-1	SOCKET ADAPTOR 6.35 SET	1
A02	C10	231952-6	RING SPRING 12	1