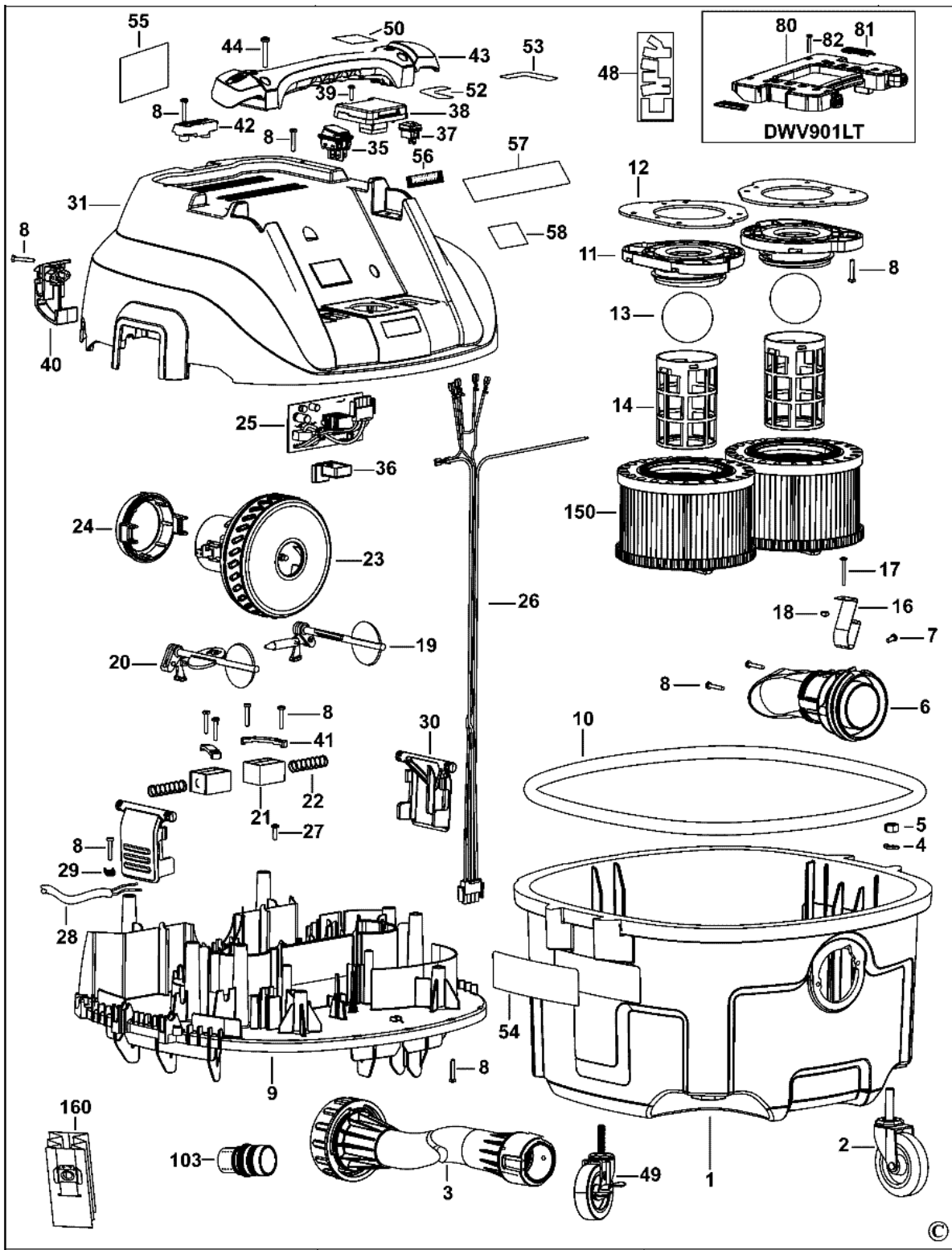


Part Lists & Sheme Vacuum cleaner, DEWALT DWV901L



Item No.	Product Number	Qty Per	Product Description	Type
1	N291160	1	TANK	30LT
2	N289839	3	CASTOR	NON LOCK
3	N433594	1	HOSE SA	4.1M x 32mm dia
4	N371460	4	WASHER LOCK	
5	N371459	4	NUT	3/8 X 16
6	N294562	1	INLET	
7	N142827	1	SCREW	THD FORM
8	330019-14	34	SCREW	M4 x 25 T20
9	N289899	1	HOUSING	
10	N395128	1	GASKET	
11	N294525	2	MOUNT	
12	N146653	2	GASKET	
13	N206771	2	VALVE FLOATING	
14	N265199	2	CAGE	
16	N137853	1	PLATE	
17	N142836	1	SCREW	#6-32 X.625 PH
18	N142838	1	LOCK NUT	#6-32 X 5/16
19	N409097	1	VALVE	LH
20	N409096	1	VALVE	RH
21	N338941	2	SOLENOID ASSEMBLY	230V
21	N317179	2	SOLENOID ASSEMBLY	120V
22	N362634	2	SPRING	
23	N294979	1	MOTOR SA 230V	230V
23	N311321	1	MOTOR SA 120V	120V
24	N310440	1	HOUSING MOTOR	
25	N365860	1	CONTROL MODULE SA	230V
25	N355959	1	CONTROL MODULE SA	120V
26	N380016	1	LEAD SA	
26	N380016	1	LEAD SA	
27	330019-24	1	SCREW	M3 X 19
28	N376741	1	CORDSET (M/PLUG) GB	GB
28	N376740	1	CORDSET	LX
29	450877-00	1	CORD CLAMP	
30	N294563	2	LATCH	
31	N291119	1	HOUSING TOP	
35	N296522	1	SWITCH	
36	N373779	1	BOOT	SWITCH
37	656494-00	1	SWITCH	Inc item 15
38	N135487	1	OUTLET	GB
38	N145358	1	OUTLET	LX
39	330019-03	2	SCREW	M3.5 x 16

Item No.	Product Number	Qty Per	Product Description	Type
40	N378329	1	HOOK	
41	N391183	2	STRAP	
42	N378050	1	CLAMP	
43	N135179	1	HANDLE	
44	330019-21	4	SCREW.TEMP	M5 x 32 T25
48	N409100	1	FOAM	
49	N380031	1	CASTOR	LOCKING
50	N408096	1	WARNING LABEL	1600W
50	N162702	1	LABEL	MAX 440W
52	N404196	1	LABEL	MAIN SWITCH
53	N404197	1	LABEL	SWITCH CONTROL
54	N405022	2	BRAND LABEL	
55	N383465	1	RATING PLATE	GB
55	N383467	1	RATING PLATE	LX
56	N177322	1	LABEL	
57	N147781	1	WARNING LABEL	L CLASS
58	N406852	1	LABEL	AUTO CLEAN
80	N310159	1	RACK	
81	N376128	2	LATCH	
82	330019-21	2	SCREW.TEMP	M5 x 32 T25
103	N070902	1	ADAPTOR	35mm-35mm
150	N467472	2	FILTER SA	
160	N194052	1	DUST BAG SA	FLEECE