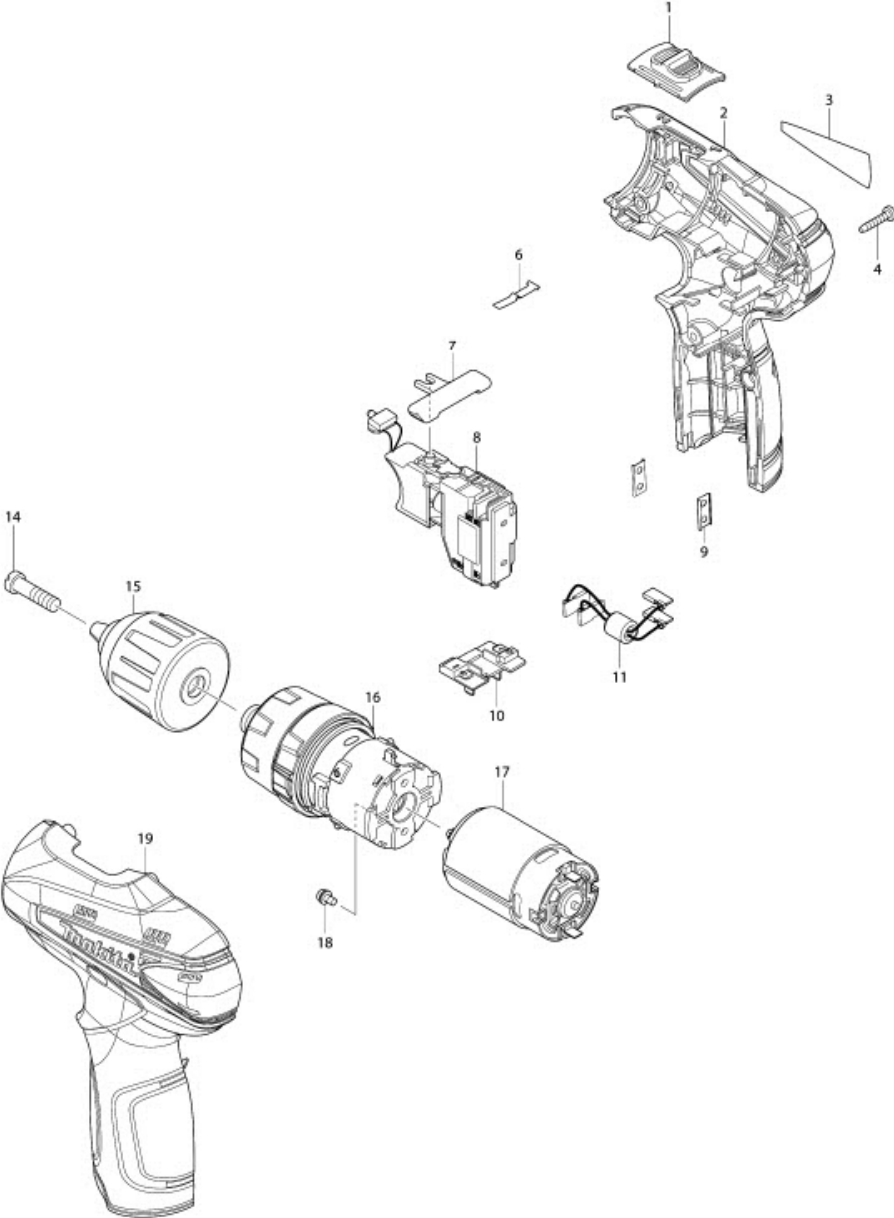


Part Diagram

Model No.HP330D CORDLESS HAMMER DRIVER DRILL



Item	Sub	Parts No.	Parts Description	Qty
1		126233-0	SPEED CHANGE LEVER ASSEMBLY	1
1	C10	231433-0	COMPRESSION SPRING 4	2
2		187359-3	HOUSING SET	1
2	D10		INC. 19	
3		897342-9	HP330D NAME PLATE	1
4		266429-2	TAPPING SCREW 3X16	6
6		232239-9	LEAF SPRING	1
7		450504-6	F/R CHANGE LEVER	1
8		650691-3	SWITCH C3HW-3A-EF1M	1
9		345998-7	SET PLATE	2
10		643830-2	TERMINAL	1
14		251468-5	- FLAT HEAD SCREW M6X22	1
15		766003-1	KEYLESS DRILL CHUCK 10	1
015-1		763229-6	KEYLESS DRILL CHUCK 10	1
16		126148-1	GEAR ASSEMBLY	1
016-1		123502-0	GEAR ASSY	1
17		629962-9	DC MOTOR	1
18		911003-8	PAN HEAD SCREW M3X6	2
19		187359-3	HOUSING SET	1
19	D10		INC. 2	
020A		533020-4	LEAD ASS'Y	1
020C		533020-4	LEAD ASS'Y	1
021A		533019-9	LEAD ASS'Y	1
021C		533019-9	LEAD ASS'Y	1
A01		168467-9	HOLSTER	1
A02		***DC10WA	DC10WA BATTERY CHARGER	1
A03		194550-6	BATTERY BL1013 SET	2
A03-1		196066-7	BATTERY BL1013 SET	2
A04		784203-1	PHILLIPS BIT 2-65	1
A05		824781-0	PLASTIC CASE	1
A06		821525-9	PLASTIC CARRYING CASE	1
A06	C10	417724-5	LATCH	2
A07A		800A92-3	HP330DWLE PLASTIC CASE LABEL	2
A07C		800A89-2	HP330DWE PLASTIC CASE LABEL	2
A08A		DEZML100	RECHARGEABLE FLASH LIGHT(BULK)	1
A08-1A		AUZML100	RECHARGEABLE FLASH LIGHT	1