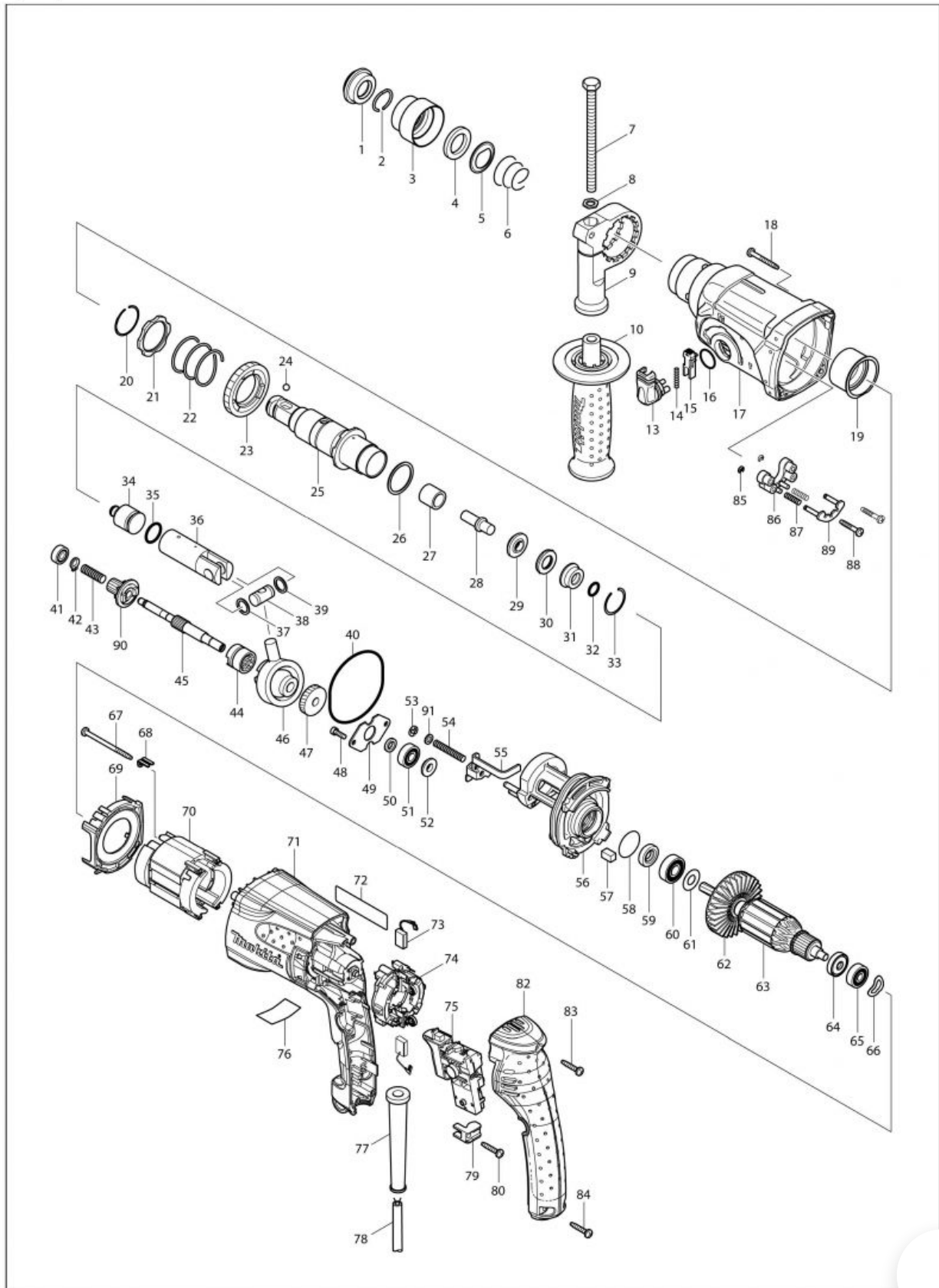


Part Diagram

(MY) HR2470 / ROTARY HAMMER 24MM



Item	Sub	Parts No.	Parts Description	Qty
001		286263-4	CAP 35	1
002		233940-9	RING SPRING 19	1
003		417629-9	CHUCK COVER	1
004		257241-1	RING 21	1
005		345187-4	GUIDE WASHER	1
006		233916-6	CONICAL COMP. SPRING 21-29	1
007		921923-8	HEX. BOLT M8X120	1
008		345280-4	HEX. WASHER	1
009		417630-4	GRIP BASE	1
010		158057-6	GRIP 36 COMPLETE	1
	C10	931402-8	HEX. NUT M8	1
013		162245-9	CHANGE LEVER	1
014		233459-8	COMPRESSION SPRING 3	1
015		419192-8	LOCK BUTTON	1
016		213278-8	O RING 17	1
017		158216-2	GEAR HOUSING COMPLETE	1
	C10	213965-9	OIL SEAL 25	1
	C11	213345-9	OIL SEAL 25	1
018		266351-3	TAPPING SCREW 4X35	4
019		153290-5	NEEDLE BEARING COMPLETE	1
020		233929-7	RING SPRING 29	1
021		267791-8	WASHER 31	1
021-1		267460-1	WASHER 31	1
022		233401-9	COMPRESSION SPRING 32	1
023		227109-5	SPUR GEAR 51	1
024		216022-2	STEEL BALL 7.0	1
025-1		158574-6	TOOL HOLDER COMPLETE	1
026		267229-3	FLAT WASHER 28	1
027		331769-8	SLEEVE 9	1
028		324669-9	IMPACT BOLT	1
029		324402-9	RING 10	1
030		421955-0	CUSHION RING 13	1
031		324216-6	O RING CASE	1
032		213073-6	O RING 9	1
033		233917-4	RING SPRING 28	1
034		324733-6	STRIKER	1
035		213227-5	O RING 16	1
036		318132-2	PISTON CYLINDER	1
037		267104-3	FLAT WASHER 12	1
038		324215-8	PISTON JOINT	1
039		267104-3	FLAT WASHER 12	1
040		213727-5	O-RING 63	1
041		211012-0	BALL BEARING 606ZZ	1
041-1		210028-2	BALL BEARING 606ZZ	1
042		961003-8	RETAINING RING S-7	1
043		233343-7	COMPRESSION SPRING 7	1
044		331768-0	CLUTCH CAM	1
044-1		331992-5	CLUTCH CAM	1
045		324668-1	CAM SHAFT	1
046		219014-0	SWASH BEARING 10	1
047		226656-3	HELICAL GEAR 26	1
048		266273-7	HEX. SOCKET HEAD BOLT M4X12	2
049		345179-3	BEARING RETAINER	1
050		267234-0	FLAT WASHER 8	1
051		211032-4	BALL BEARING 608ZZ	1
051-1		210029-0	BALL BEARING 608ZZ	1
052		324212-4	RING 8	1
053		961011-9	STOP RING E-4	1

Item	Sub	Parts No.	Parts Description	Qty
054		233342-9	COMPRESSION SPRING 6	1
055		345363-0	CHANGE PLATE	1
056		158215-4	INNER HOUSING COMPLETE	1
056-1		141574-3	INNER HOUSING COMPLETE	1
057		443126-9	FELT	1
058		213407-3	O RING 26	1
059		213077-8	OIL SEAL 10	1
060		210059-1	BALL BEARING 6000DDW	1
061		267213-8	FLAT WASHER 10	1
062		240092-9	FAN 64	1
063		515289-2	ARMATURE ASS'Y 240V	1
	D10		INC. 60-62,64,65	
064-1		681670-0	INSULATION WASHER	1
065		210023-2	BALL BEARING 627DDW	1
066		267804-5	WAVE WASHER 15	1
067		266334-3	TAPPING SCREW 4X60	2
068		344871-8	RETAINER	2
069		419716-0	BAFFLE PLATE	1
070		626579-9	FIELD 240V	1
071		419731-4	MOTOR HOUSING	1
072		863538-4	HR2470 NAME PLATE	1
073		194074-2	CARBON BRUSH CB-325	1
074		638500-6	BRUSH HOLDER UNIT	1
075		650589-4	SWITCH C3VA-2L	1
076		814963-2	HR2470 SERIAL NO.LABEL	1
077		682566-8	CORD GUARD 10	1
078		692527-0	POWER SUPPLY CORD 1.0-2-2.5	1
079		687260-7	STRAIN RELIEF	1
080		266324-6	TAPPING SCREW 4X22	1
082		419717-8	HANDLE COVER	1
083		266324-6	TAPPING SCREW 4X22	1
084		266324-6	TAPPING SCREW 4X22	2
085		961017-7	STOP RING E-3	2
086		417796-0	GUIDE BASE	1
087		233344-5	COMPRESSION SPRING 4	2
088		266374-1	TAPPING SCREW 4X25	2
089		163430-7	LOCK PLATE COMPLETE	1
090		227179-4	SPUR GEAR 10	1
091		941102-2	FLAT WASHER 5	1
092		819358-4	CLEAR LABEL	1
092-1		892830-1	CLEAR LABEL	1
093		819364-9	CLEAR LABEL	1
093-1		892829-6	CLEAR LABEL	1
094		122881-3	TOOL HOLDER ASS'Y	1
	D10		INC. 20-23,25,27-33	
094-1		123100-0	TOOL HOLDER ASS'Y	1
	D10		INC. 20-23,25,27-33	
A01		324219-0	DEPTH GAUGE	1
A02		824799-1	PLASTIC CARRYING CASE	1
	C10	324319-6	SHAFT	1
	C20	417724-5	LATCH	2
	C30	419216-0	HANDLE	1
A03		808488-6	HR2470X5 PLASTIC CASE LABEL	1
A03-1		807F90-8	HR2470X5 PLASTIC CASE LABEL	1
A04		D-08713	BULL POINT 250	1
A04-2		D-08713	BULL POINT 250	1
A05		194041-7	DRILL CHUCK SET	1
A06		D-17784	SDS-PLUS BIT SET	1
B01		195263-2	HAMMER SERVICE KIT SET	1

Item	Sub	Parts No.	Parts Description	Qty
	C10	195127-0	OIL VESSEL SET	2
	D10		INC. 1,24,30,32,33,35,73	