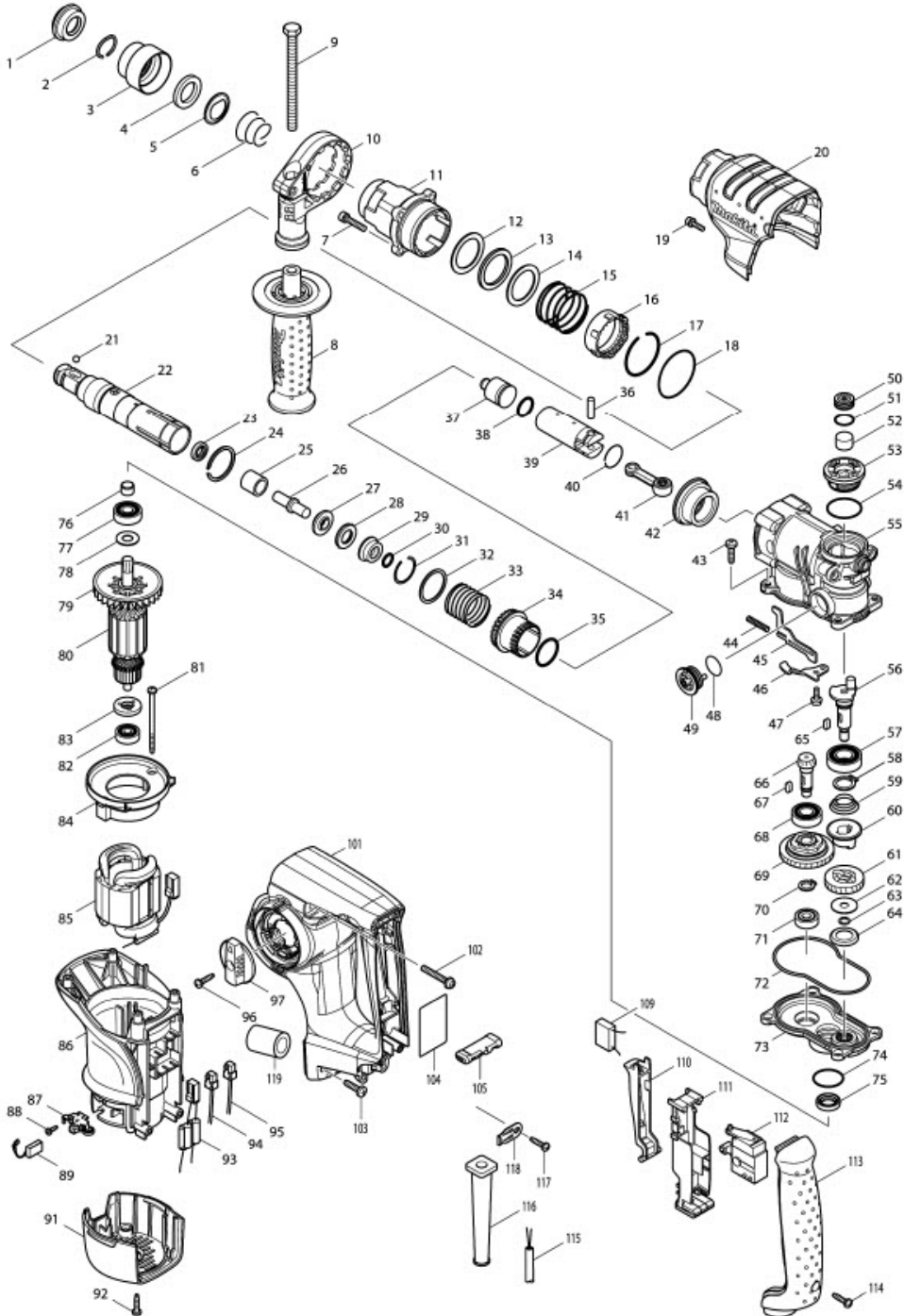


Part Diagram

Model No.HR2810 ROTARY HAMMER 28MM



Item	Sub	Parts No.	Parts Description	Qty
1		286263-4	CAP 35	1
2		233940-9	RING SPRING 19	1
3		417629-9	CHUCK COVER	1
4		257241-1	RING 21	1
5		345187-4	GUIDE WASHER	1
6		233916-6	CONICAL COMP. SPRING 21-29	1
7		922241-7	HEX. SOCKET HEAD BOLT M5X25	4
008A		154842-5	GRIP 36 COMPLETE	1
008A	C10	931402-8	HEX. NUT M8	1
008-1A		158057-6	GRIP 36 COMPLETE	1
008-1A	C10	931402-8	HEX. NUT M8	1
008-1B		158057-6	GRIP 36 COMPLETE	1
008-1B	C10	931402-8	HEX. NUT M8	1
9		921919-9	HEX. BOLT M8X110	1
10		419975-6	GRIP BASE 20	1
11		158288-7	BARREL COMPLETE	1
11	C10	212403-8	NEEDLE BEARING 3012	1
011A	C20	213965-9	OIL SEAL 25	1
011A	C21	213345-9	OIL SEAL 25	1
011B	C21	213345-9	OIL SEAL 25	1
12		267354-0	FLAT WASHER 31	1
13		262133-1	URETHANE RING 31	1
14		267354-0	FLAT WASHER 31	1
15		234020-4	COMPRESSION SPRING 37	1
16		419986-1	LOCK SLEEVE	1
17		233952-2	RING SPRING 41	1
18		213620-3	O RING 46	1
19		922128-3	HEX. SOCKET HEAD BOLT M4X16	1
20		419984-5	CRANK HOUSING COVER	1
21		216022-2	STEEL BALL 7.0	1
022A		158285-3	TOOL HOLDER COMPLETE	1
022-1A		123191-1	TOOL HOLDER ASSEMBLY	1
022-1A	C10	158285-3	TOOL HOLDER COMPLETE	1
022-1A	D10		INC. 23-31	
022-1B		123191-1	TOOL HOLDER ASSEMBLY	1
022-1B	C10	158285-3	TOOL HOLDER COMPLETE	1
022-1B	D10		INC. 23-31	
023A		213076-0	OIL SEAL 9	1
023-1A		213344-1	OIL SEAL 9	1
023-1B		213344-1	OIL SEAL 9	1
24		961140-8	RETAINING RING	1
25		331769-8	SLEEVE 9	1
26		324669-9	IMPACT BOLT	1
27		324402-9	RING 10	1
28		421955-0	CUSHION RING 13	1
29		324216-6	O RING CASE	1
30		213073-6	O RING 9	1
31		233917-4	RING SPRING 28	1
32		267105-1	FLAT WASHER 29	1
33		234021-2	COMPRESSION SPRING 30	1
34		331770-3	DRIVING SLEEVE	1
35		213435-8	O RING 26	1
36		256099-5	PIN 6	1
37		324733-6	STRIKER	1
38		213227-5	O RING 16	1
39		331776-1	PISTON CYLINDER	1
40		233954-8	RING SPRING 21	1
41		158282-9	CONNECTING ROD COMPLETE	1

Item	Sub	Parts No.	Parts Description	Qty
41	C10	212043-2	NEEDLE BEARING 810	1
42		227532-4	SPIRAL BEVEL GEAR 31	1
43		266420-0	TAPPING SCREW 5X20	4
44		234019-9	COMPRESSION SPRING 4	1
45		345814-3	LINK PLATE	1
46		345815-1	GUIDE PLATE	1
47		911118-1	PAN HEAD SCREW M4X12	1
48		213262-3	O RING 18	1
49		162256-4	LINK LEVER COMPLETE	1
50		419988-7	FILTER CAP	1
51		213218-6	O RING 16	1
52		443129-3	FILTER	1
53		419987-9	CRANK CAP	1
54		213406-5	O RING 30	1
055A		158289-5	CRANK HOUSING COMPLETE	1
055-1A		158289-5	CRANK HOUSING COMPLETE	1
055-1B		158289-5	CRANK HOUSING COMPLETE	1
56		324793-8	CRANK SHAFT	1
57		211232-6	BALL BEARING 6002LLU	1
58		961055-9	RETAINING RING S-15	1
59		233951-4	C. C. SPRING 16-26	1
60		223167-9	CLUTCH	1
61		226653-9	HELICAL GEAR 29	1
62		267353-2	FLAT WASHER 8	1
63		961034-7	RETAINING RING	1
64		345818-5	CUP WASHER 16	1
65		254239-9	KEY 4	2
66		227524-3	SPIRAL BEVEL GEAR 9	1
67		254239-9	KEY 4	1
68		210105-0	BALL BEARING 6001LLU	1
69		125386-2	TORQUE LIMITER ASS'Y	1
70		961006-2	RETAINING RING S-10	1
71		210024-0	BALL BEARING 608LLU	1
72		424028-8	SEAL RING	1
73		158287-9	GEAR HOUSING COMPLETE	1
74		213445-5	O-RING 26	1
75		213133-4	OIL SEAL 12	1
075-1		213678-2	OIL SEAL 12	1
76		331775-3	SLEEVE 10	1
77		210054-1	BALL BEARING 6000LLU	1
78		253171-4	FLAT WASHER 10	1
79		240095-3	FAN 64	1
80		515294-9	ARMATURE ASS'Y 240V	1
80	D10		INC. 79,82,83	
81		266325-4	TAPPING SCREW 4X70	2
82		210023-2	BALL BEARING 627DDW	1
83		681656-4	INSULATION WASHER	1
84		419989-5	BUFFLE PLATE	1
85		526584-5	FIELD ASS'Y 240V	1
85	C10	654283-0	CONTACT	2
85	C20	686044-0	CONNECTOR HOUSING	1
86		419981-1	MOTOR HOUSING	1
87		643766-5	BRUSH HOLDER	2
88		266421-8	TAPPING SCREW 3X10	2
89		194074-2	CARBON BRUSH CB-325	1
91		419983-7	REAR COVER	
92		266326-2	TAPPING SCREW 4X18	
93		638565-8	LEAD UNIT	
94		638567-4	LEAD UNIT	1

Item	Sub	Parts No.	Parts Description	Qty
95		638566-6	LEAD UNIT	1
96		266326-2	TAPPING SCREW 4X18	1
97		158284-5	CHANGE LEVER COMPLETE	1
101		419976-4	HANDLE	1
102		911258-5	PAN HEAD SCREW M5X35	2
103		266420-0	TAPPING SCREW 5X20	2
104		863914-2	HR2810 NAME PLATE	1
105		419992-6	F/R CHANGE LEVER	1
110		419990-0	SWITCH LEVER	1
111		158281-1	SWITCH HOLDER COMPLETE	1
112		650591-7	SWITCH	1
113		419980-3	HANDLE COVER	1
114		266326-2	TAPPING SCREW 4X18	1
115		692527-0	POWER SUPPLY CORD 1.0-2-2.5	1
116		682573-1	CORD GUARD 10	1
117		266326-2	TAPPING SCREW 4X18	1
118		687169-3	STRAIN RELIEF	1
120A		819355-0	CLEAR LABEL	1
120-1		892373-3	CLEAR LABEL	1
A01		324219-0	DEPTH GAUGE	1
A02		824789-4	PLASTIC CARRYING CASE	1
A02	C10	324207-7	SHAFT	1
A02	C20	417724-5	LATCH	2
A02	C30	419216-0	HANDLE	1
A03A		808490-9	HR2810X PLASTIC CASE LABEL	1
A03B		805761-5	HR2810 PLASTIC CASE LABEL	1
A04A		D-08713	BULL POINT 250	1
A05A		194041-7	DRILL CHUCK SET	1
A05-1A		D-17784	SDS-PLUS BIT SET	1
B01		195206-4	HAMMER SERVICE KIT SET	1
B01	C10	181490-7	HAMMER GREASE 30G	2
B01	D10		INC. 1,21,28,30,31,38,89	

