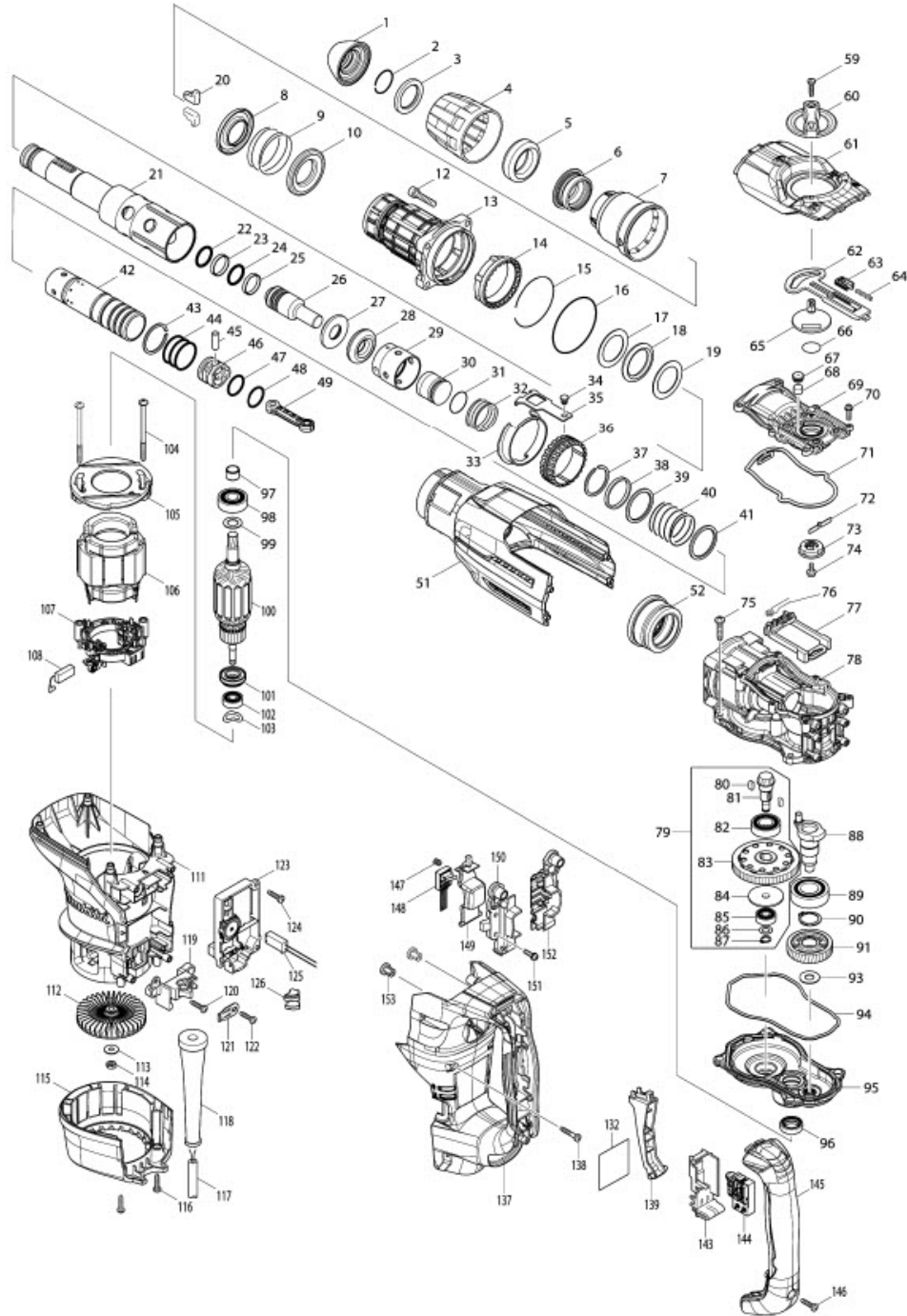


Part Diagram

Model No.HR4003C 40MM ROTARY HAMMER



Item	Sub	Parts No.	Parts Description	Qty
1		286292-7	TOOL HOLDER CAP	1
2		233948-3	RING SPRING 25	1
3		257308-5	RING 28	1
4		454330-5	CHUCK COVER	1
5		262167-4	RUBBER RING 30	1
6		326272-2	CHUCK RING	1
7		454331-3	RELEASE COVER	1
8		346670-4	SPRING GUIDE	1
9		234288-2	COMPRESSION SPRING 46	1
10		346670-4	SPRING GUIDE	1
12		922351-0	HEX. SOCKET HEAD BOLT M6X30	4
13		141956-9	BARREL COMPLETE	1
13	C10	213246-1	O-RING 38 SA1004	1
13	C20	213490-0	OIL SEAL 32	1
13	C30	213492-6	O-RING 32	1
14		454337-1	LOCK SLEEVE	1
15		234290-5	RING SPRING 59	1
16		213707-1	O RING 65	1
17		267469-3	FLAT WASHER 32	1
18		262168-2	RUBBER RING 32	1
19		267469-3	FLAT WASHER 32	1
20		310257-8	TOOL RETAINER	2
21		326268-3	TOOL HOLDER	1
22		213317-4	O RING 20	1
23		213392-0	FLUORIDE RING 25	1
24		213317-4	O RING 20	1
25		213392-0	FLUORIDE RING 25	1
26		326269-1	IMPACT BOLT	1
27		326274-8	RING 17	1
28		262166-6	RUBBER RING 18	1
29		454347-8	SLIDE SLEEVE	1
30		326270-6	STRIKER	1
31		213695-2	O-RING 22	1
32		234289-0	COMPRESSION SPRING 33	1
33		346673-8	GUIDE RING	1
34		256548-2	FLAT FILLISTER HEAD PIN 6	1
35		346671-2	LINK PLATE	1
36		313255-1	DRIVING SLEEVE	1
37		257991-8	RETAINING RING (EXT) WR-32.5	1
38		257340-9	RING 33	1
39		267470-8	FLAT WASHER 33	1
40		234287-4	COMPRESSION SPRING 34	1
41		267470-8	FLAT WASHER 33	1
42		332063-1	CYLINDER 28.5	1
43		257991-8	RETAINING RING (EXT) WR-32.5	1
44		213406-5	O RING 30	3
45		256197-5	PIN 7	1
46		419004-5	PISTON	1
47		213379-2	O RING 21	1
48		213695-2	O-RING 22	1
49		454317-7	CONNECTING ROD	1
51		141958-5	HOUSING COVER B COMPLETE	1
52		227613-4	SPIRAL BEVEL GEAR 26	1
59		265995-6	TAPPING SCREW 4X18	1
60		454326-6	CHANGE LEVER	1
61		318988-3	CRANK CAP COVER	1
62		454339-7	CONTROL PLATE	1
63		454340-2	SLIDE PLATE	1

Item	Sub	Parts No.	Parts Description	Qty
64		234284-0	COMPRESSION SPRING 4	1
65		454345-2	CRANK LEVER	1
66		213262-3	O RING 18	1
67		424556-3	FILTER CAP	1
68		443182-9	FILTER	1
69		454319-3	CRANK CAP	1
70		911128-8	P.H.SCREW M4X16 WITH WR	6
71		424559-7	SEAL RING B	1
72		232280-2	LEAF SPRING	1
73		454318-5	LINK LEVER	1
74		911511-9	PAN HEAD SCREW M4X10	1
75		266041-8	TAPPING SCREW 5X25	4
76		233603-7	TORSION SPRING 7	1
77		454338-9	LINK GUIDE	1
78		141954-3	CRANK HOUSING B COMPLETE	1
79		126290-8	TORQUE LIMITER ASSEMBLY	1
79	D10		INC. 80-87	
80		254239-9	KEY 4	2
81		227612-6	SPIRAL BEVEL GEAR 7	1
82		211232-6	BALL BEARING 6002LLU	1
83		141959-3	TORQUE LIMITER COMPLETE	1
84		324727-1	SHOULDER WASHER 8	1
85		210005-4	BALL BEARING 608DDW	1
86		253215-0	FLAT WASHER 8	1
87		961004-6	RETAINING RING S-8	1
88		326271-4	CRANK SHAFT	1
89		211332-2	BALL BEARING 6004LLU	1
90		961060-6	RETAINING RING S-20	1
91		227772-4	HELICAL GEAR 37	1
93		253180-3	FLAT WASHER 10	1
94		424558-9	SEAL RING A	1
95		141955-1	GEAR HOUSING COMPLETE	1
96		213231-4	OIL SEAL 15	1
97		331596-3	SLEEVE 12	1
98		211137-0	BALL BEARING 6201LLU	1
99		253744-3	FLAT WASHER 12	1
100		513888-4	ARMATURE ASS'Y 220-240V	1
100	D10		INC. 97,98,99,101,102	
101		681650-6	INSULATION WASHER	1
102		210005-4	BALL BEARING 608DDW	1
103		267721-9	WAVE WASHER 15	1
104		266568-8	TAPPING SCREW 5X80	2
105		454329-0	BAFFLE PLATE	1
106		625758-6	FIELD 220-240V	1
107		632A84-2	BRUSH HOLDER UNIT	1
107-1		632E31-7	BRUSH HOLDER UNIT	1
108		194160-9	CARBON BRUSH CB-350	1
108-1		197245-0	CARBON BRUSH CB-351	1
111		454316-9	MOTOR HOUSING	1
112		240146-2	FAN 76	1
113		253047-5	FLAT WASHER 6	1
114		931303-0	HEX. NUT M6	1
115		454328-2	REAR COVER	1
116		265995-6	TAPPING SCREW 4X18	2
117		692637-3	POWER SUPPLY CORD 1.5-2-5.0	1
118		682560-0	CORD GUARD 10	1
119		419024-9	CORD CLAMP BASE	1
120		265995-6	TAPPING SCREW 4X18	1
121		687169-3	STRAIN RELIEF	1

Item	Sub	Parts No.	Parts Description	Qty
122		265995-6	TAPPING SCREW 4X18	1
123		620202-8	CONTROLLER	1
124		265995-6	TAPPING SCREW 4X18	1
125		632B52-1	LEAD UNIT	1
126		454346-0	LENS	1
132		814T27-2	HR4003C NAME PLATE	1
137		454322-4	HANDLE B	1
138		265999-8	TAPPING SCREW 4X25	6
139		454333-9	SWITCH LEVER B	1
143		154626-1	SWITCH HOLDER COMPLETE	1
144		650678-5	SWITCH C3PA-1121	1
145		454323-2	HANDLE COVER	1
146		265995-6	TAPPING SCREW 4X18	1
147		234281-6	COMPRESSION SPRING 6	1
148		632A83-4	SWITCH UNIT	1
149		454336-3	SWITCH LEVER C	1
150		187692-3	SWITCH CASE SET	1
150	D10		INC. 152	
151		911128-8	P.H.SCREW M4X16 WITH WR	4
152		187692-3	SWITCH CASE SET	1
152	D10		INC. 150	
153		286255-3	CAP 13	2
A01		123138-5	SIDE GRIP ASSEMBLY	1
A02		196792-8	SIDE HANDLE 73 SET	1
A03		194683-7	GREASE VESSEL SET	1
A04		141976-3	PLASTIC CARRYING CASE COMPLETE	1
A04	C10	162271-8	LATCH	2
A04	C20	801Y02-7	INDICATION LABEL	1
A05		331955-1	DEPTH GAUGE	1
A06		443122-7	CLOTH	1
B01		197298-9	HAMMER SERVICE KIT	1
B01	C10	181490-7	HAMMER GREASE 30G	2
B01	D10		INC. 1,22-25,31,48,108	