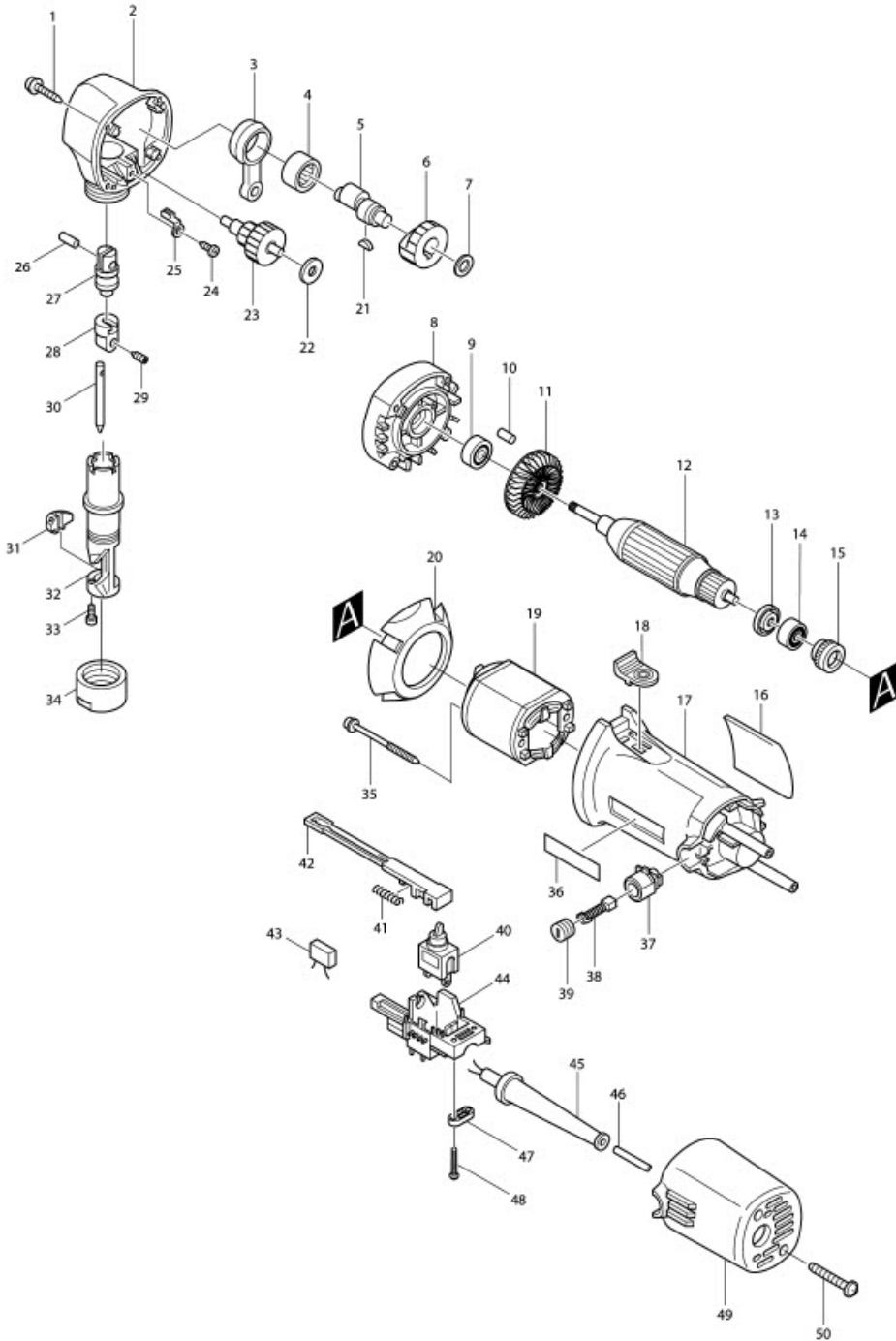


Part Diagram

Model No.JN1601 NIBBLER



Item	Sub	Parts No.	Parts Description	Qty
1		266053-1	TAPPING SCREW 4X35	4
2		159757-1	GEAR HOUSING COMPLETE	1
2	C10	817658-6	CAUTION LABEL	1
002-1		144734-6	GEAR HOUSING COMPLETE	1
002-1	C10	817658-6	CAUTION LABEL	1
3		331438-1	ROD	1
4		212222-2	NEEDLE BEARING 1612	1
5		322704-7	CRANK SHAFT	1
6		226286-0	SPUR GEAR 34	1
7		253215-0	FLAT WASHER 8	1
8		159758-9	GEAR HOUSING COVER COMPLETE	1
8	C10	951051-5	SPRING PIN 3-8	1
8	C20	212005-0	NEEDLE BEARING 810	1
8	C30	212011-5	NEEDLE BEARING 609	1
8	D10		INC. 10	
9		210005-4	BALL BEARING 608DDW	1
10		263002-9	RUBBER PIN 4	1
11		241875-0	FAN 54	1
012D_		517514-7	ARMATURE ASS'Y 240V	1
012D_	D10		INC. 9,11,13,14	
13		681636-0	INSULATION WASHER	1
14		211021-9	BALL BEARING 607LLB	1
15		421479-6	RUBBER RING 19	1
16		857617-8	NAME PLATE JN1601	1
17		159755-5	MOTOR HOUSING COMPLETE	1
17	C10	654125-8	TERMINAL	2
017-1		159755-5	MOTOR HOUSING COMPLETE	1
017-1	C10	654125-8	TERMINAL	2
18		415303-3	SWITCH KNOB	1
019D_		635014-6	FIELD 240V	1
20		415490-8	BAFFLE PLATE	1
21		254002-0	WOODRUFF KEY 3	1
22		267133-6	FLAT WASHER 6	1
23		226123-8	GEAR COMPLETE 13-37	1
024-1		266026-4	TAPPING SCREW BIND CT 4X12	1
25		344116-4	STOPPER	1
26		256111-1	PIN 6	1
27		322703-9	RAM	1
28		322702-1	PUNCH HOLDER	1
29		265880-3	H.S.SET SCREW(CONE POINT)M5X8	1
30		A-15067	PUNCH	1
030-1		A-83951	PUNCH	1
31		A-15051	DIE	1
32		322701-3	DIE HOLDER	1
033-1		266080-8	HEX. SOCKET HEAD BOLT M3X12	2
34		322748-7	LOCK NUT	1
35		266060-4	TAPPING SCREW 4X65	2
36		819063-3	MAKITA LABEL	1
37		643922-7	BRUSH HOLDER	2
038A_		191940-4	CARBON BRUSH CB-411	1
39		643550-8	BRUSH HOLDER CAP 5-8	2
40		651418-4	SWITCH ST115A-40	1
41		233071-4	COMPRESSION SPRING 4	1
42		415541-7	SWITCH LEVER	1
44		687069-7	SUPPORT	1
045B_		682540-6	CORD GUARD 9.3-90	1
045B1		682505-8	CORD GUARD 10-90	1
046D_		692516-5	POWER SUPPLY CORD 1.0-2-2.0	1

Item	Sub	Parts No.	Parts Description	Qty
047A_		687063-9	CORD CLAMP	1
047A1		687052-4	STRAIN RELIEF	1
48		265995-6	TAPPING SCREW 4X18	2
49		415540-9	REAR COVER	1
50		266053-1	TAPPING SCREW 4X35	2
51		422169-4	GASKET	1
A01		781013-7	WRENCH 32	1
A01-1		781028-4	WRENCH 32	1
A02		783208-8	HEX. WRENCH 2.5	1