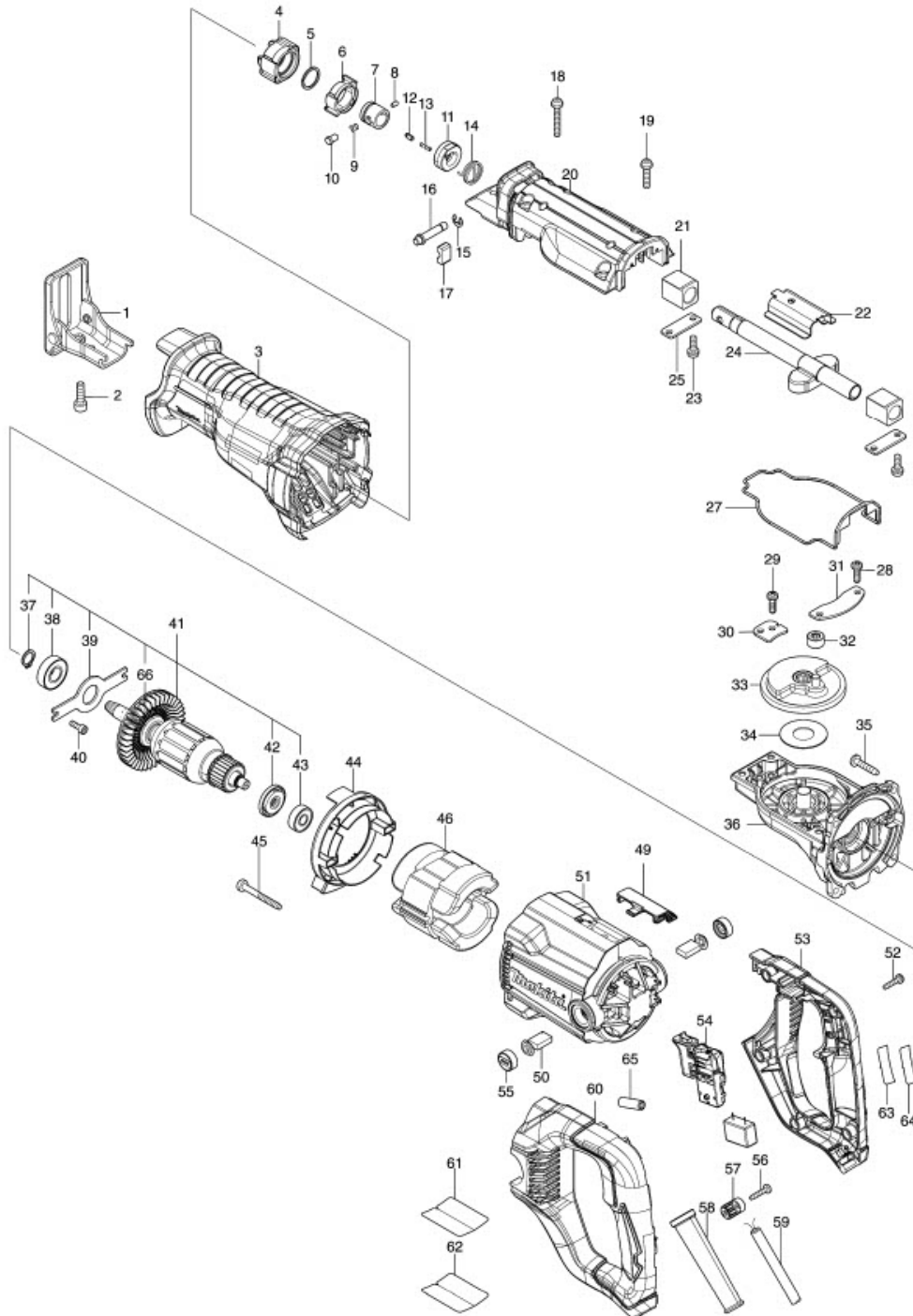


Part Diagram

Model No. JR3051T RECIPRO SAW



Item	Sub	Parts No.	Parts Description	Qty
1		162704-3	SHOE	1
2		265844-7	HEX. SOCKET HEAD BOLT M6X20	1
3		422537-1	INSULATION COVER	1
4		422223-4	PROTECTOR	1
5		257430-8	RETAINING RING(EXT)18	1
6		310848-5	DRIVING SLEEVE	1
7		327043-0	GUIDE SLEEVE	1
8		268094-3	PIN 3	1
9		234381-2	COMPRESSION SPRING 6	1
10		256569-4	SHOULDER PIN 5	1
11		458968-8	CONNECTING SLEEVE	1
12		310912-2	PUSH PIN	1
13		232472-3	COMPRESSION SPRING 2	1
14		233594-2	TORSION SPRING 17	1
15		961018-5	STOP RING E-5	1
16		256934-7	COLLARED PIN 6	1
17		327441-8	BLOCK	1
18		911258-5	PAN HEAD SCREW M5X35	2
19		911243-8	PAN HEAD SCREW M5X25	2
20		140R13-8	GEAR HOUSING COVER COMPLETE	1
20	C10	213174-0	X RING 14	1
21		214169-6	PLANE BEARING 14	2
22		347596-3	SLIDE PLATE	1
23		911225-0	PAN HEAD SCREW M5X16	4
24		162705-1	SLIDER	1
25		341462-6	PLATE	2
26		136188-1	GEAR HOUSING COVER ASS'Y	1
26	D10		INC. 4-17,20-25	
27		422538-9	SEAL RING	1
28		911225-0	PAN HEAD SCREW M5X16	2
29		911225-0	PAN HEAD SCREW M5X16	2
30		347597-1	GEAR PLATE A	1
31		346715-8	GEAR PLATE	1
32		212959-1	NEEDLE BEARING 708	1
33		140R15-4	GEAR COMPLETE	1
34		267290-0	FLAT WASHER 18	1
35		266459-3	TAPPING SCREW 5X25	4
36		140R12-0	GEAR HOUSING COMPLETE	1
37		961052-5	RETAINING RING S-12	1
38		211131-2	BALL BEARING 6001DDW	1
038-1		210105-0	BALL BEARING 6001LLU	1
39		285036-2	BEARING RETAINER 80	1
40		265353-6	HEX. SOCKET HEAD BOLT M4X12	2
41		511A03-0	ARMATURE ASS'Y 220-240V	1
41	D10		INC. 37-39,42,43,66	
42		681644-1	INSULATION WASHER	1
43		210029-0	BALL BEARING 608ZZ	1
44		459919-4	BAFFLE PLATE	1
45		266056-5	TAPPING SCREW 5X45	2
46		521894-5	FIELD ASS'Y 240V	1
46	C10	654020-2	RING TERMINAL	2
46	C20	654501-6	CONNECTOR P-1.25	2
49		459920-9	HOOK COVER	1
50		191963-2	CARBON BRUSH CB-303	1
51		140R14-6	MOTOR HOUSING COMPLETE	1
51	C10	644501-4	BRUSH HOLDER 5X11	1
52		266326-2	TAPPING SCREW 4X18	1
53		183N40-8	HANDLE SET	1

Item	Sub	Parts No.	Parts Description	Qty
53	D10		INC. 60	
54		651376-4	SWITCH C3VA-2L16	1
55		643750-0	BRUSH HOLDER CAP 7-11	2
56		266326-2	TAPPING SCREW 4X18	2
57		687123-7	STRAIN RELIEF	1
58		682503-2	CORD GUARD 8-90	1
59		692021-2	POWER SUPPLY CORD 1.0-2-2.5	1
60		183N40-8	HANDLE SET	1
60	D10		INC. 53	
61		856M49-4	JR3051T NAME PLATE	1
62		807G78-4	CLEAR LABEL	1
63		856M54-1	JR3051T SERIAL NO. LABEL	1
64		8010T0-1	CLEAR LABEL	1
66		241863-7	FAN 70	1
67		253804-1	FLAT WASHER 6	1
A01		792003-5	RECIPRO SAW BLADE SET	1
A02		821795-0	PLASTIC CASE	1
A02	C10	162315-4	LATCH	2
A03		8007C1-9	JR3051TK MODEL NO. LABEL	1