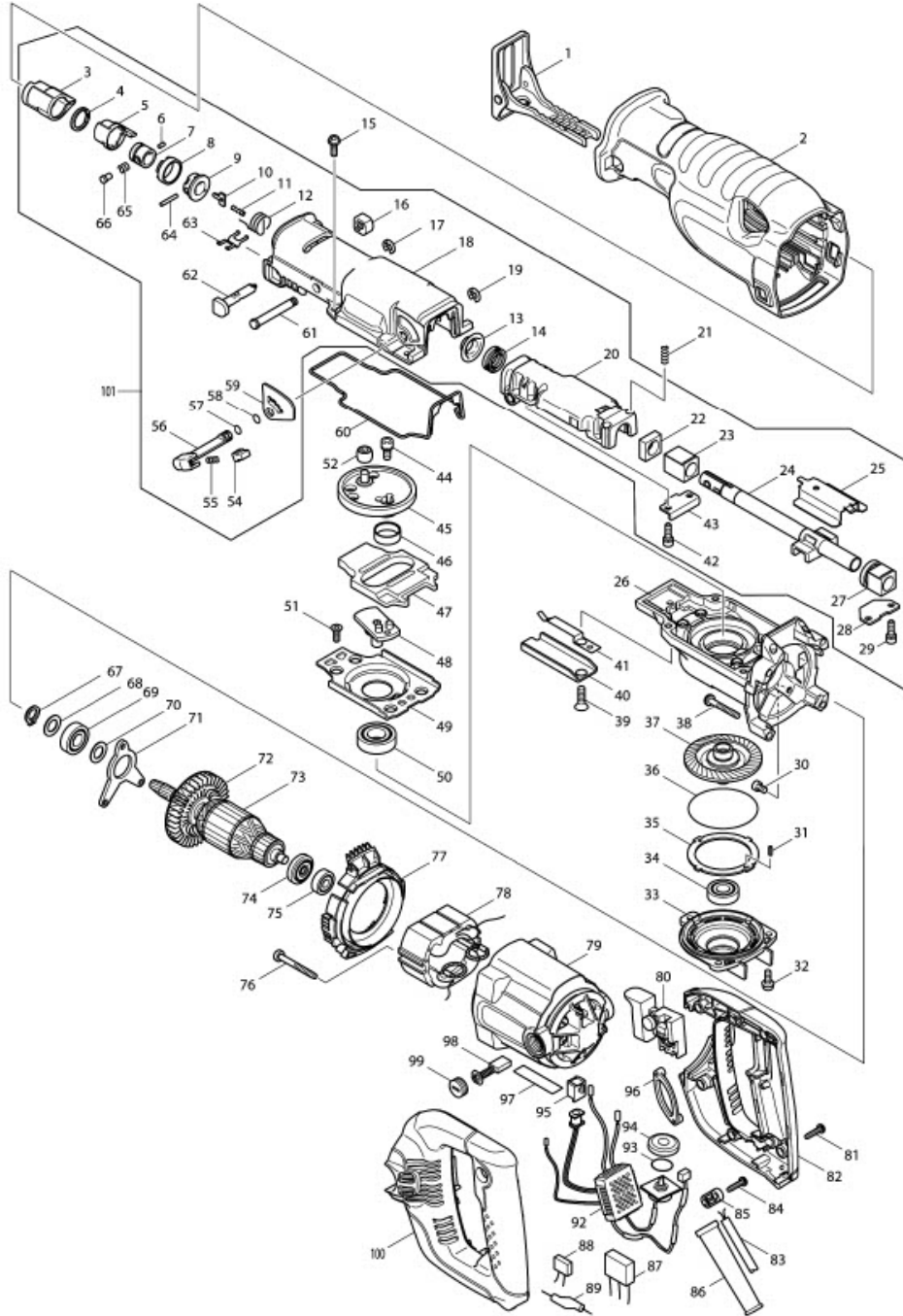


Part Diagram

Model No. JR3070CT RECIPRO SAW



Item	Sub	Parts No.	Parts Description	Qty
001-1		163453-5	SHOE	1
2		421904-7	INSULATION COVER	1
003-1		424147-0	PROTECTOR	1
4		257952-8	RETAINING RING (EXT) 18	1
004-1		257430-8	RETAINING RING(EXT)18	1
005-2		310285-3	DRIVING SLEEVE	1
005-3		310658-0	DRIVING SLEEVE	1
6		268094-3	PIN 3	1
7		331720-8	GUIDE SLEEVE	1
007-1		327043-0	GUIDE SLEEVE	1
8		417791-0	DRIVING SLEEVE GUIDE	1
9		418311-3	SLEEVE	1
10		345214-7	PUSH PLATE	1
11		233025-1	COMPRESSION SPRING 2	1
12		231687-9	TORSION SPRING 17	1
13		257742-9	SHOULDER SLEEVE 14	1
14		213174-0	X RING 14	1
15		911225-0	PAN HEAD SCREW M5X16	4
16		418806-6	CAP	1
17		961012-7	STOP RING E-6	1
18		154551-6	GEAR HOUSING COVER COMPLETE	1
19		961012-7	STOP RING E-6	1
20		154502-9	SLIDER SUPPORT COMPLETE	1
21		233038-2	COMPRESSION SPRING 5	2
22		423343-7	SEAL PLATE 14	1
23		214170-1	PLANE BEARING 14A	1
024-2		168410-8	SLIDER	1
024-3		168410-8	SLIDER	1
024-4		161437-7	SLIDER	1
25		345487-2	SLIDE PLATE	1
26		317842-8	GEAR HOUSING	1
027-1		154547-7	BEARING COMPLETE	1
28		345486-4	PLATE B	1
029-1		911225-0	PAN HEAD SCREW M5X16	2
30		265530-0	HEX.SOCKET HEAD BOLT M5X8	3
32		911225-0	PAN HEAD SCREW M5X16	3
33		317844-4	BEARING BOX	1
34		211101-1	BALL BEARING 6001LLB	1
36		213726-7	O RING 62	1
37		154549-3	TORQUE LIMITER COMPLETE	1
038-1		266373-3	TAPPING SCREW 5X35	4
039-1		265165-7	TORXSOCKET C.S.HEADSCREW M6X16	1
40		345479-1	SHOE GUIDE	1
41		232222-6	LEAF SPRING B	1
042-1		911225-0	PAN HEAD SCREW M5X16	2
43		345485-6	PLATE A	1
44		265531-8	HEX.SOCKET HEAD BOLT M6X14	1
045-1		154545-1	CRANK CAM COMPLETE	1
46		257265-7	RING 21	1
47		313121-2	COUNTER WEIGHT	1
48		154546-9	CRANK BASE COMPLETE	1
49		345489-8	GUIDE PLATE	1
50		211251-2	BALL BEARING 6003LLB	1
51		265148-7	TORX SOCKET HEAD SCREW M5X14	4
52		212957-5	NEEDLE BEARING 710	1
54		418991-5	STOPPER	1
55		231309-1	COMPRESSION SPRING 5	1
56		272247-8	LEVER 20	1

Item	Sub	Parts No.	Parts Description	Qty
57		213021-5	O RING 5	1
58		213021-5	O RING 5	1
59		413095-8	PLATE C	1
60		421899-4	SEAL RING	1
61		268012-1	PIN 7	1
62		162236-0	SHIFT BUTTON	1
63		232221-8	LEAF SPRING A	1
64		256158-5	PIN 3	1
65		233345-3	COMPRESSION SPRING 6	1
065-1		234381-2	COMPRESSION SPRING 6	1
66		256492-3	SHOULDER PIN 5	1
066-1		256569-4	SHOULDER PIN 5	1
67		961052-5	RETAINING RING S-12	1
68		253744-3	FLAT WASHER 12	1
69		211131-2	BALL BEARING 6001DDW	1
70		253744-3	FLAT WASHER 12	1
71		285719-4	BEARING RETAINER A	1
72		241863-7	FAN 70	1
73		513603-6	ARMATURE ASS'Y 220-240V	1
73	D10		INC. 72,74,75	
74		681650-6	INSULATION WASHER	1
75		210029-0	BALL BEARING 608ZZ	1
076-2		266056-5	TAPPING SCREW 5X45	2
77		418817-1	BAFFLE PLATE	1
078-1		528803-5	FIELD ASS'Y 220-240V	1
078-1	C10	654020-2	RING TERMINAL	2
078-1	C20	654501-6	CONNECTOR P-1.25	2
79		154498-4	MOTOR HOUSING COMPLETE	1
79	C10	643708-9	BRUSH HOLDER 5-11	2
080-1		650222-8	SWITCH TG71ARS-1	1
81		265995-6	TAPPING SCREW 4X18	5
82		183933-5	HANDLE SET	1
82	D10		INC. 100	
83		692527-0	POWER SUPPLY CORD 1.0-2-2.5	1
84		265995-6	TAPPING SCREW 4X18	2
85		687052-4	STRAIN RELIEF	1
085-1		687124-5	STRAIN RELIEF	1
86		682573-1	CORD GUARD 10	1
92		631651-4	CONTROLLER	1
93		213261-5	O RING 17	1
94		418905-4	DIAL	1
95		418518-1	SLEEVE	1
97		861231-4	JR3070CT NAME PLATE	1
98		191963-2	CARBON BRUSH CB-303	1
99		643750-0	BRUSH HOLDER CAP 7-11	2
100		183933-5	HANDLE SET	1
100	D10		INC. 82	
101		125524-6	GEAR HOUSING COVER ASSEMBLY	1
101	D10		INC. 3-14,16-20,22-25,27-29,	
101	D20		INC. 42,43,54-59,61-66	
101-1		126912-0	GEAR HOUSING COVER ASSEMBLY	1
101-1	D10		INC. 3-14,16-20,22-25,27-29,	
101-1	D20		INC. 42,43,54-59,61-66	
101-2		127403-4	GEAR HOUSING COVER ASSEMBLY	1
101-2	D10		INC. 3-14,16-20,22-25,27-29,	
101-2	D20		INC. 42,43,54-59,61-66	
A01-2		821621-3	PLASTIC CARRYING CASE	
A01-2	C10	162315-4	LATCH	
A02		792003-5	RECIPRO SAW BLADE SET	1