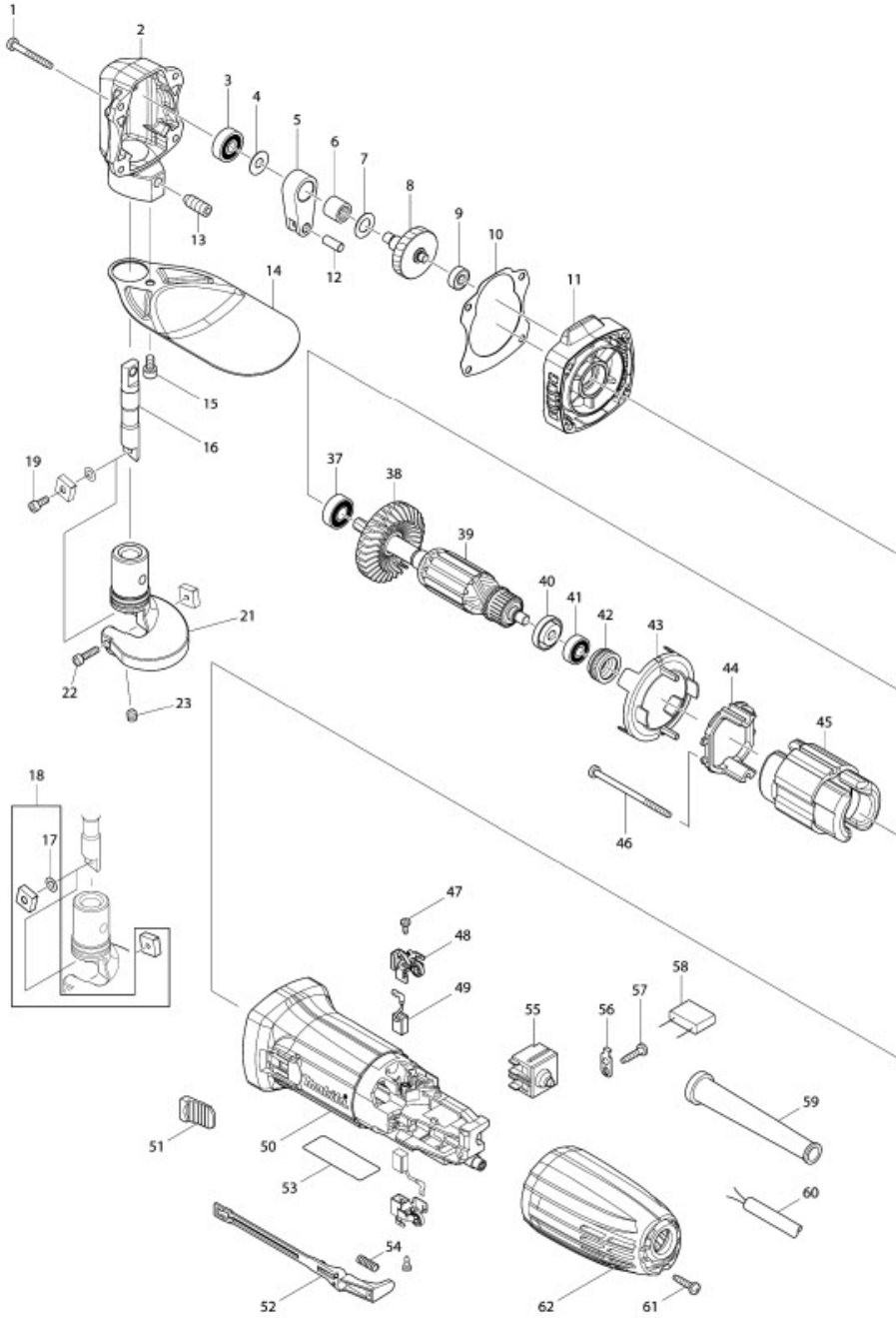


Part Diagram

Model No.JS1602 SHEAR 1.6MM



Item	Sub	Parts No.	Parts Description	Qty
1		266053-1	TAPPING SCREW 4X35	4
2		141691-9	GEAR HOUSING COMPLETE	1
2	C10	800H33-1	INDICATION LABEL	1
3		210030-5	BALL BEARING 627ZZ	1
4		253823-7	FLAT WASHER 7	1
5		331151-1	ROD	1
6		212063-6	NEEDLE BEARING 1012	1
7		253758-2	FLAT WASHER 10	1
8		141690-1	CRANK SHAFT COMPLETE	1
8	C10	227760-1	HELICAL GEAR 44	1
9		210033-9	BALL BEARING 696ZZ	1
10		442185-0	GASKET	1
11		454076-3	GEAR HOUSING COVER	1
12		256110-3	PIN 6	1
13		913427-4	SET SCREW M8X16	1
14		346620-9	PROTECTOR	1
15		922206-9	HEX. SOCKET HEAD BOLT M5X10	1
16		321311-3	BLADE HOLDER	1
17		253334-2	THIN WASHER 5	1
18		191383-0	SHEAR BLADE SET	1
18	D10		INC. 17	
19		922112-8	HEX. SOCKET HEAD BOLT M4X10	1
21		311717-3	YOKE	1
22		922127-5	HEX. SOCKET HEAD BOLT M4X16	1
23		251986-3	H.S.SET SCREW(FLAT POINT)M6X6	1
37		210005-4	BALL BEARING 608DDW	1
38		240076-7	FAN 56	1
39		517674-5	ARMATURE ASS'Y 240V	1
39	D10		INC. 37,38,40,41	
40		681636-0	INSULATION WASHER	1
41		210062-2	BALL BEARING 607ZZ	1
42		421868-5	LABYRINTH RUBBER RING 19	1
43		450796-7	BAFFLE PLATE	1
44		452073-3	SPACER	1
45		623549-9	FIELD	1
46		266004-4	TAPPING SCREW 4X70	2
47		265954-0	TAPPING SCREW BIND PT3X8	2
48		643839-4	BRUSH HOLDER 6X9	2
49		194722-3	CARBON BRUSH CB-459	1
50		450795-9	MOTOR HOUSING	1
51		418016-5	SWITCH KNOB	1
52		450797-5	SWITCH LEVER	1
53		897764-3	JS1602 NAME PLATE	1
54		233121-5	COMPRESSION SPRING 4	1
55		650621-4	SWITCH PS10	1
56		687682-1	STRAIN RELIEF	1
57		265995-6	TAPPING SCREW 4X18	1
59		682566-8	CORD GUARD 10	1
60		692527-0	POWER SUPPLY CORD 1.0-2-2.5	1
61		265995-6	TAPPING SCREW 4X18	1
62		453884-9	REAR COVER	1
A01		410048-8	WRENCH HOLDER 3.4	1
A02		783201-2	HEX. WRENCH 3	1