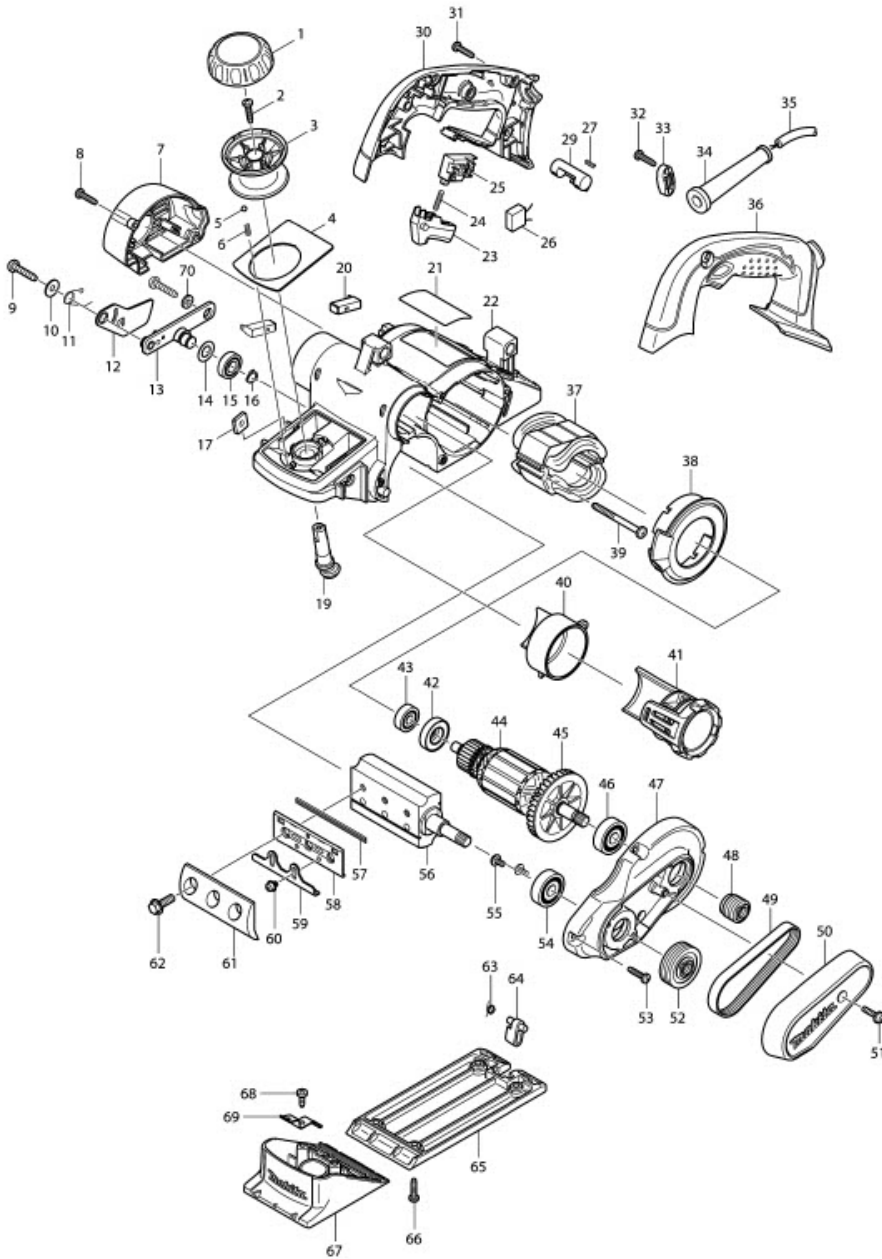


Part Diagram

Model No.KP0810 POWER PLANER 82MM



Item	Sub	Parts No.	Parts Description	Qty
1		419700-5	KNOB COVER	1
2		265995-6	TAPPING SCREW 4X18	1
3		419699-4	KNOB	1
4		345766-8	FRONT PANEL	1
5		216008-6	STEEL BALL 4	2
6		233325-9	COMPRESSION SPRING 3	2
7		419697-8	REAR COVER	1
8		265995-6	TAPPING SCREW 4X18	2
9		266041-8	TAPPING SCREW 5X25	2
10		253194-2	FLAT WASHER 5	1
11		233521-9	TORSION SPRING 10	1
12		345765-0	DRUM COVER	1
13		158184-9	DRUM HOLDER COMPLETE	1
14		253758-2	FLAT WASHER 10	1
15		210057-5	BALL BEARING 6900LLB	1
16		961006-2	RETAINING RING S-10	1
17		264002-2	SQUARE NUT M5	2
19		419702-1	CAM	1
020-1		191972-1	CARBON BRUSH CB-132	1
21		863213-2	KP0810 NAME PLATE	1
22		419694-4	HOUSING	1
23		419703-9	SWITCH LEVER	1
24		233408-5	COMPRESSION SPRING 3	1
25		651922-3	SWITCH TG71B	1
27		231433-0	COMPRESSION SPRING 4	1
29		419705-5	LOCK ON BUTTON	1
30		188215-0	HANDLE SET	1
30	D10		INC. 36	
31		265995-6	TAPPING SCREW 4X18	5
32		265995-6	TAPPING SCREW 4X18	2
33		687063-9	CORD CLAMP	1
34		682502-4	CORD GUARD 8-85	1
035-1		692021-2	POWER SUPPLY CORD 1.0-2-2.5	1
36		188215-0	HANDLE SET	1
36	D10		INC. 30	
37		525748-8	FIELD ASS'Y 220-240V	1
37	C10	654069-2	RECEPTACLE	2
38		419701-3	BAFFLE PLATE	1
39		266095-5	TAPPING SCREW 5X55	2
40		419710-2	NOZZLE	1
41		125353-7	DUCT ASS'Y	1
42		681659-8	INSULATION WASHER	1
43		211031-6	BALL BEARING 608LLB	1
44		513684-0	ARMATURE ASS'Y 240V	1
44	D10		INC. 42,43,45	
45		240079-1	FAN 62	1
46		211087-9	BALL BEARING 6200DDW	1
47		158149-1	BRACKET COMPLETE	1
48		222125-2	V-PULLEY 4-20L	1
49		225007-7	POLY V-BELT 4-241	1
50		419698-6	BELT COVER	1
51		911133-5	PAN HEAD SCREW M4X18	1
52		222126-0	V-PULLEY 4-37	1
53		265995-6	TAPPING SCREW 4X18	4
54		211087-9	BALL BEARING 6200DDW	1
55		251291-8	+ SCREW M4X8	
56		158156-4	DRUM COMPLETE	
57		793004-6	PLANER BLADE 82	1

Item	Sub	Parts No.	Parts Description	Qty
057-1		D-16346	82MM HSS PLANER BLADE	1
59		345644-2	ADJUST PLATE	2
60		251246-3	+ PAN HEAD SCREW M4X5	4
061-1		187676-1	DRUM PLATE SET	1
62		251609-3	HEX. FLANGE HEAD BOLT M6X17	6
63		231698-4	TORSION SPRING 7	1
64		419706-3	FOOT	1
65		318098-6	BASE	1
66		265995-6	TAPPING SCREW 4X18	4
67		158360-5	FRONT BASE COMPLETE	1
68		266026-4	TAPPING SCREW BIND CT 4X12	2
69		232232-3	LEAF SPRING	2
70		267012-8	FLAT WASHER 5	1
A01		122785-9	GUIDE RULE ASS'Y	1
A01	C11	213009-5	O RING 4	1
A01	C20	251871-0	SCREW M5X10	1
A01	C30	251878-6	SCREW M5X20	1
A01	C40	253807-5	FLAT WASHER 5	2
A01	C50	345768-4	GUIDE HOLDER	1
A02		123062-2	BLADE GAUGE ASS'Y	1
A02	C10	911228-4	PAN HEAD SCREW M5X18	2
A02	C20	411086-3	GAUGE PLATE	1
A03		782209-3	SOCKET WRENCH 9	1
A04		251878-6	SCREW M5X20	1
A05		253807-5	FLAT WASHER 5	1
A06		342390-8	DEPTH GUIDE	1
A07		123004-6	SHARPENING HOLDER ASS'Y	1
A07	C10	251920-3	CAP SQUARE NECK BOLT M6X30	2
A07	C20	934301-3	WING NUT M6	2