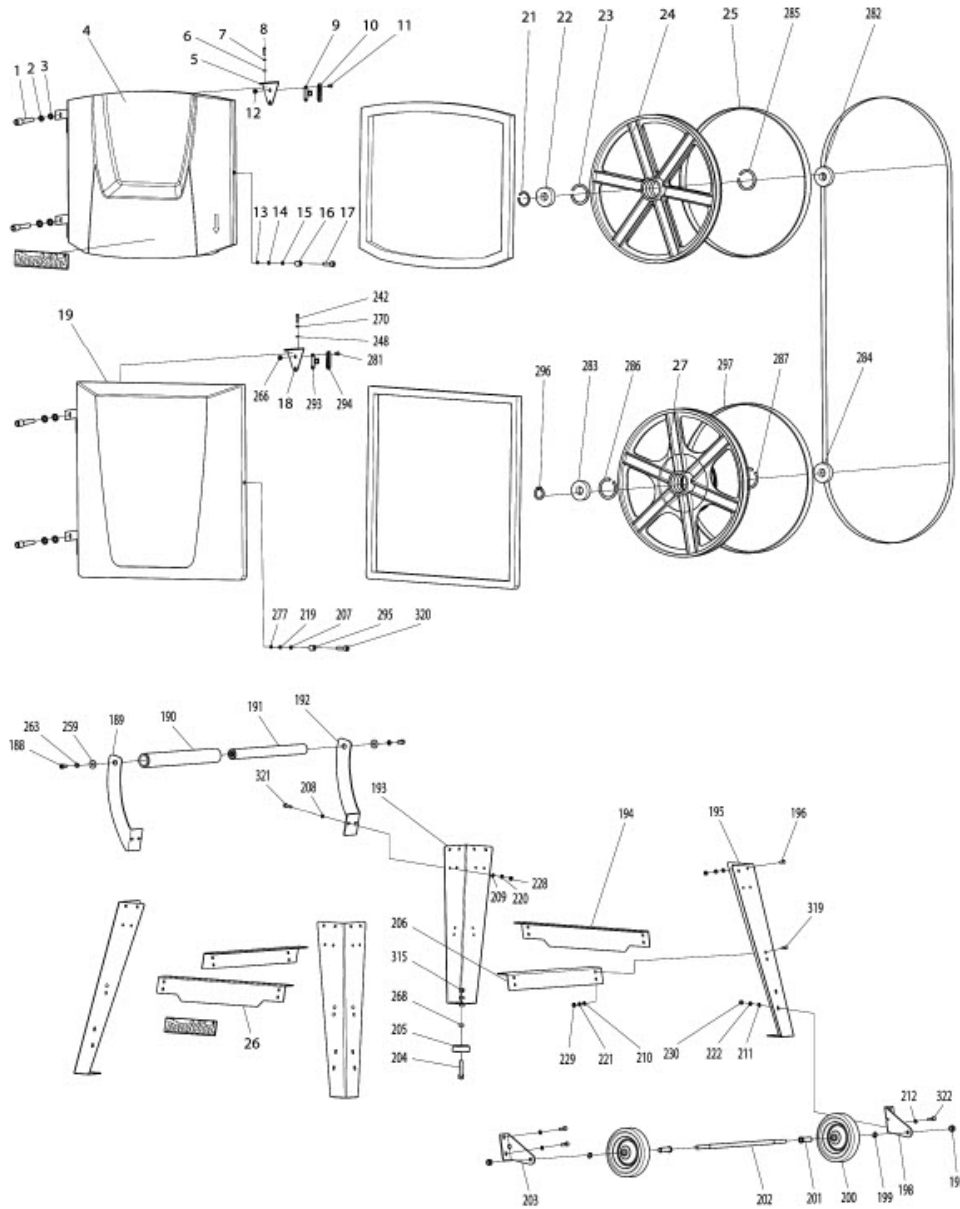
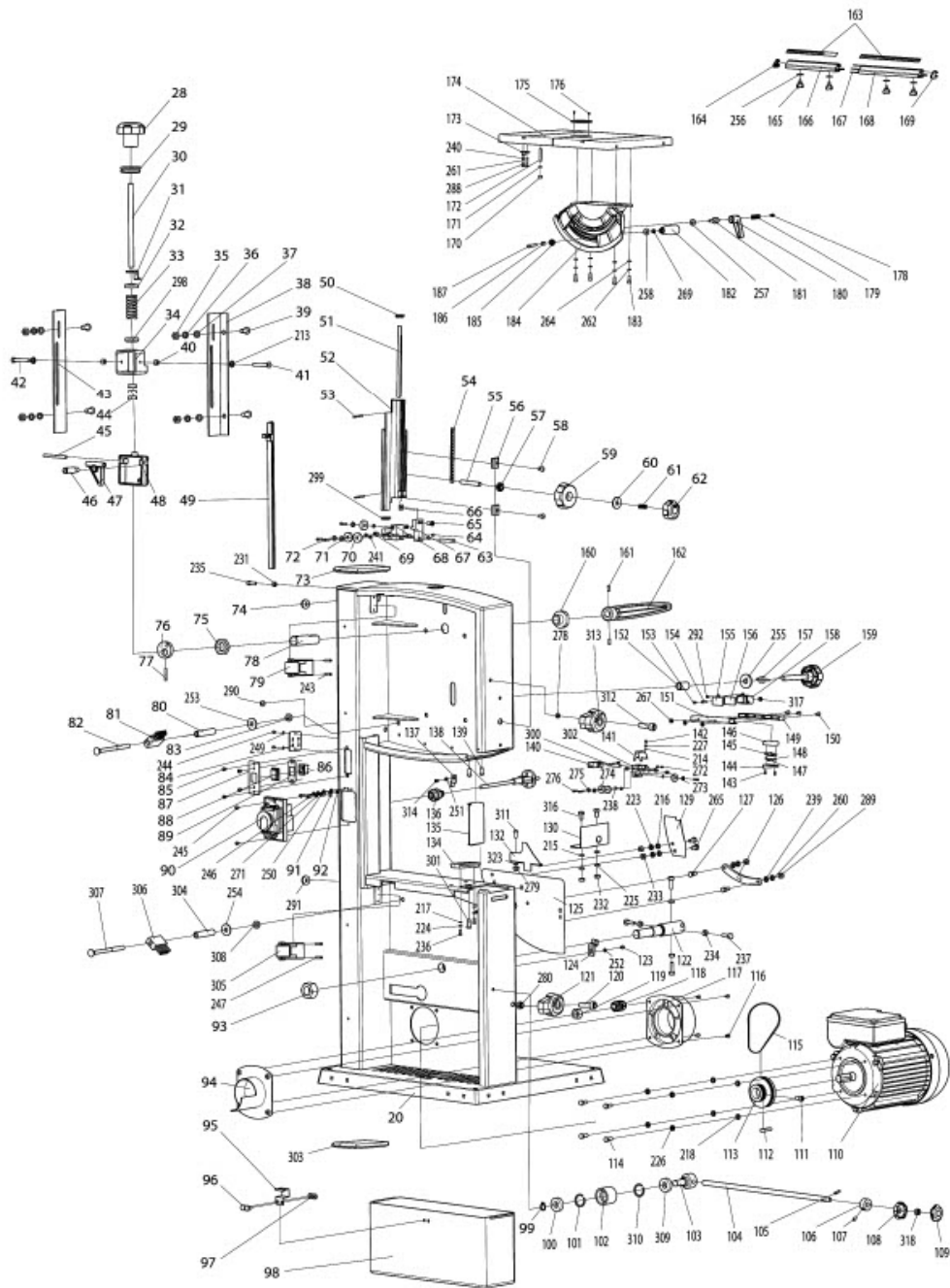


Part Diagram

Model No.LB1200F 305MM BAND SAW



Model No.LB1200F 305MM BAND SAW



Item	Sub	Parts No.	Parts Description	Qty
1		JM21000018	HEX.SOCKET HEAD SCREW M5X12	4
2		JM21000019	SPRING WASHER 5	4
3		JM21000020	FLAT WASHER 5	4
4		JM21000021	UP COVER COMPLETE	1
4	C10	JM21000022	UP COVER	1
4	C20	JM21000023	SPONGE	1
4	C30	JM21000024	MAKITA LOGO LABEL	1
5		JM21000025	MICRO SWITCH FIX PANEL A	1
6		JM21000026	FLAT WASHER 4	2
7		JM21000027	SPRING WASHER 4	2
8		JM21000028	CROSS HEAD SUNK SCREW M4X10	2
9		JM21000029	MICRO SWITCH PRESS PAW	1
10		JM21000030	MICRO SWITCH BRACKET	1
11		JM21000031	CROSS HEAD SUNK SCREW M4X12	2
12		JM21000032	HEX NUT M4	2
13		JM21000033	LOCKING NUT M6	1
14		JM21000034	SPRING WASHER 6	1
15		JM21000035	FLAT WASHER 6	1
16		JM21000036	SPACER SLEEVE	1
17		JM21000037	HEX.SOCKET HEAD SCREW M6X20	1
18		JM21000038	MICRO SWITCH FIX PANEL B	1
19		JM21000039	LOW COVER COMPLETE	1
19	C10	JM21000040	LOW COVER	1
19	C20	JM21000023	SPONGE	1
19	C30	JM21080006	OPERATION LABEL	1
20		JM21000041	MACHINE BODY COMPLETE	1
20	C10	JM21000042	MACHINE BODY	1
20	C20	JM21080001	OPERATION LABEL	1
20	C30	JM21080002	OPERATION LABEL	1
20	C40	JM21080003	OPERATION LABEL	1
20	C50	JM21080004	OPERATION LABEL	1
20	C60	JM21080005	OPERATION LABEL	1
20	C70	JM21080007	OPERATION LABEL	1
20	C80	JM21080032	NAME PLATE	1
21		JM21000043	SHAFT RETAINING RING 17	1
22		JM21000044	BEARING 6203	1
23		JM21000045	HOLE COLLAR 40	1
24		JM21000046	UP SAW WHEEL	1
25		JM21000047	TIRE	1
26		JM21000048	BEAM A COMPLETE	2
26	C10	JM21000049	BEAM A	1
26	C20	JM21000024	MAKITA LOGO LABEL	1
27		JM21000050	LOW SAW WHEEL	1
28		JM21000051	TENSION KNOB	1
29		JM21000052	SEALING RING	1
30		JM21000053	TENSION THREAD ROD	1
31		JM21000054	TENSION POINTER	1
32		JM21000055	SPRING BASE	1
33		JM21000056	COMPRESSURE SPRING 45	1
34		JM21000057	FIX BRACKET	1
35		JM21000058	HEX NUT M8	4
36		JM21000059	SPRING WASHER 8	4
37		JM21000060	FLAT WASHER 8	4
38		JM21000061	FIX SIDE PLATE A	1
39		JM21000062	HEX. SOCKET HEAD BOLT M8X16	4
40		JM21000063	HEX NUT M6	2
41		JM21000064	HEX BOLT M6X35	1
42		JM21000065	HEX BOLT M6X25	1

Item	Sub	Parts No.	Parts Description	Qty
43		JM21000066	FIX SIDE PLATE B	1
44		JM21000067	THIN NUT M10	3
45		JM21000068	COLUMN PIN D	1
46		JM21000069	UP WHEEL SHAFT	1
47		JM21000070	MOVING BRACKET	1
48		JM21000071	FIX BRACKET	1
49		JM21000072	DUST SEAL BAR	1
50		JM21000073	LIFTING BRACKET COVER	1
51		JM21000074	RACK	1
051-1		JM21000237	RACK	1
52		JM21000075	LIFTING BRACKET	1
052-1		JM21000238	LIFTING BRACKET	1
53		JM21000076	ELASTIC PIN 4	2
54		JM21000077	LIFTING LABEL	1
55		JM21000078	ADJUSTABLE SCREW	1
56		JM21000079	SLIDER B	2
57		JM21000080	GEAR WHEEL B	1
58		JM21000081	H.S.BUTTON HEAD SCREW M6X12	2
59		JM21000082	LIFTING KNOB	1
059-1		JM21000239	LIFTING KNOB	1
60		JM21000083	BIG WASHER 8	1
61		JM21000084	SPRING	1
62		JM21000085	LOCKING NUT	1
63		JM21000086	COLUMN PIN A	1
64		JM21000087	HEX. SOCKET SET SCREWS M6X10	3
65		JM21000088	BOLT C	1
66		JM21000089	LOCKING BRACKET	1
67		JM21000090	FIX BRACKET B	1
067-1		JM00000001	FIX BRACKET B	1
68		JM21000091	FIX BRACKET A	1
69		JM21000092	COLUMN PIN B	3
70		JM21000093	BEARING 6200	3
71		JM21000094	SLEEVE B	3
72		JM21000095	H.S.BOLT M5X20	3
73		JM21000096	COVER	1
74		JM21000097	CORD PROTECTION TUBE	1
75		JM21000098	HEX THIN NUT M20	1
76		JM21000099	ECCENTRIC WHEEL 32	1
77		JM21000100	ELASTIC PIN 4X32	1
78		JM21000101	INSERT B	1
79		JM21000102	MICRO SWITCH	1
80		JM21000103	SLEEVE A	1
81		JM21000104	BRUSH	1
82		JM21000105	BRUSH SCREW	1
83		JM21000106	LOCKNUT M8	1
84		JM21000107	ACCESSORY STORAGE PLATE	1
85		JM21000108	HEX.SOCKET BUTTON BOLT M4X10	4
86		JM21000109	HY17 SWITCH	1
87		JM21000110	LED SWITCH FIX PLATE	1
88		JM21000111	HY17 SWITCH SHIELD	1
89		JM21000112	LED SWITCH PANEL	1
90		JM21000004	SWITCH	1
91		JM21000221	EARTHING TERMINAL 4	2
92		JM21000113	STAR WASHER 4	2
93		JM21000114	HEX NUT M20	1
94		JM21000115	DUST COLLECTOR PORT B	1
95		JM21000116	PLATE SPRING	1
96		JM21000117	HEX BOLT M5X12	2
97		JM21000118	HEX NUT M5	2

Item	Sub	Parts No.	Parts Description	Qty
98		JM21000119	DUST BOX	1
99		JM21000120	SHAFT RETAINING RING 11	1
100		JM21000121	BEARING 6001	1
101		JM21000122	HOLE COLLAR 28	1
102		JM21000123	TENSION WHEEL	1
103		JM21000124	TENSION WHEEL SHAFT	1
104		JM21000125	THREAD ROD	1
105		JM21000126	ELASTIC PIN 4X16	1
106		JM21000127	LIMIT CIRCLE	1
107		JM21000128	HEX.SOCKET SET SCREWS M5X8	1
108		JM21000129	WHEEL TENSION KNOB A	1
109		JM21000130	WHEEL TENSION KNOB B	1
110		JM21000001	MOTOR	1
110	C10	JM21000228	TERMINAL BOX	1
110	C20	JM21000244	CAPACITOR HIGH VOLT	1
110-1		JM21000245	MOTOR	1
110-1	C10	JM21000228	TERMINAL BOX	1
110-1	C20	JM21000248	CAPACITOR HIGH VOLT	1
111		JM21000131	H.S.BOLT M6X12	1
112		JM21000132	KEY 5X5X20	1
113		JM21000133	MOTOR PULLEY	1
114		JM21000134	HEX BOLT M6X12	4
115		JM21000135	V BELT	1
116		JM21000136	TAPPING SCREW ST4.2X14	4
117		JM21000137	DUST CONNECTOR PORT	1
118		JM21000138	CORD CLAMP PAW	1
119		JM21000139	CORD CLAMP BOLT M10	1
120		JM21000140	H.S. HEAD SCREW M6X25	1
120-1		JM21000234	H.S. HEAD SCREW M6X35	1
120-2		JM21000140	H.S. HEAD SCREW M6X25	1
121		JM21000141	LATCH KNOB	1
121-1		JM21000231	LATCH KNOB	1
121-2		JM21000141	LATCH KNOB	1
122		JM21000142	DRIVING WHEEL SHAFT	1
123		JM21000143	CROSS HEAD SUNK SCREW M4X8	1
124		JM21000144	MITER POINTER	1
125		JM21000145	SPACER PLATE	1
126		JM21000146	SLIDER	1
127		JM21000147	BOLT B	2
129		JM21000148	DUST PROTECTOR PLATE	1
130		JM21000149	PROTECTOR PLATE	1
132		JM21000150	LOW COVER B	1
134		JM21000151	FIX BRACKET SLIDER	1
135		JM21000152	PROTECTOR PLATE A	1
136		JM21000153	STRAIN & RELIEF	1
137		JM21000154	LIFTING POINTER	1
138		JM21000007	CORD AND PLUG	1
139		JM21000155	TAPPING SCREW ST4.2X8	2
140		JM21000156	FIX BRACKET C	1
141		JM21000157	LOW COVER A	1
142		JM21000158	CROSS HEAD SUNK SCREW M6X10	1
143		JM21000159	TAPPING SCREW ST3.2X8	2
144		JM21000160	LED LAMP COVER B	1
145		JM21000161	LED REFLECT COVER	1
146		JM21000162	LED LAMP COVER A	1
146-1		JM21000229	LED LIGHT ASSEMBLY	1
147		JM21000163	LED LAMP COVER C	1
148		JM21000164	SELF TAPPING SCREW ST2.2X8	2
149		JM21000165	LED CORD PROTECTOR A	1

Item	Sub	Parts No.	Parts Description	Qty
150		JM21000166	H.S.BOLT M4X20	3
151		JM21000167	LED CORD PROTECTOR B	1
152		JM21000168	SLEEVE	1
153		JM21000169	CROSS HEAD SUNK SCREW M4X35	1
154		JM21000170	SLEEVE 8	1
155		JM21000171	TRANSFORMER LOW COVER	1
156		JM21000172	TRANSFORMER	1
157		JM21000173	WING NUT M8	1
158		JM21000174	TRANSFORMER UP COVER	1
159		JM21000175	TRACKING KNOB	1
160		JM21000176	SLEEVE C	1
161		JM21000177	H.S. SET SCREWS M6X10	2
162		JM21000178	OPERATION HANDLE A	1
163		JM21000179	SCALE LABEL	1
164		JM21000180	FRONT RAIL SIDE COVER B	1
165		JM21000181	WING KNOB C	4
166		JM21000182	FRONT RAIL A	1
167		JM21000183	CONNECTION PIN	3
168		JM21000184	FRONT RAIL B	1
169		JM21000185	FRONT RAIL SIDE COVER A	1
170		JM21000186	CUSHION CAP	1
171		JM21000187	RUBBER RING PAD	1
172		JM21000188	H.S. SET SCREW M8X50	1
173		JM21000189	LIMITED PLATE	1
174		JM21000190	WORKING TABLE	1
175		JM21000191	BLADE PROTECTION PLATE	1
176		JM21000192	CROSS HEAD SUNK SCREW M3X10	2
178		JM21000193	HEX.SOCKET HEAD SCREW M6X30	1
179		JM21000194	COMPRESSURE SPRING	1
180		JM21000195	OPERATION HANDLE B ASSY	1
181		JM21000196	LOCKING HANDLE BOLT	1
182		JM21000197	LOCKING HANDLE A	1
183		JM21000198	H.S.BOLT M8X20	4
184		JM21000199	WORKING TABLE TURNION	1
184-1		JM00000270	WORKING TABLE COMPLETE	1
185		JM21000200	GEAR WHEEL A	1
186		JM21000201	POSITION SLEEVE	1
187		JM21000202	GEAR SHAFT	1
188		JM21000203	H.S.BOLT M8	2
189		JM21000204	HANDLE SUPPORT B	1
190		JM21000205	HOSE	1
191		JM21000206	STEEL PIPE ASSEMBLY	1
192		JM21000207	HANDLE SUPPORT A	1
193		JM21000208	LEG A	1
194		JM21000049	BEAM A	2
195		JM21000209	LEG B	3
196		JM21000210	SQUARE NECK BOLT M6X16	16
197		JM21000211	LOCKNUT M10	2
198		JM21000212	WHEEL SUPPORT B	1
199		JM21000213	SHAFT RETAINING RING 13	2
200		JM21000214	WHEEL	2
201		JM21000215	ROLLER BUSH	2
202		JM21000216	WHEEL SHAFT	1
203		JM21000217	WHEEL SUPPORT A	1
204		JM21000218	HEX BOLT M8X50	1
205		JM21000219	LEG PAD	1
206		JM21000220	BEAM B	2
207		JM21000035	FLAT WASHER 6	1
208		JM21000035	FLAT WASHER 6	2

Item	Sub	Parts No.	Parts Description	Qty
209		JM21000035	FLAT WASHER 6	4
210		JM21000035	FLAT WASHER 6	32
211		JM21000035	FLAT WASHER 6	4
212		JM21000035	FLAT WASHER 6	4
213		JM21000035	FLAT WASHER 6	2
214		JM21000035	FLAT WASHER 6	1
215		JM21000035	FLAT WASHER 6	2
216		JM21000035	FLAT WASHER 6	2
217		JM21000035	FLAT WASHER 6	2
218		JM21000035	FLAT WASHER 6	4
219		JM21000034	SPRING WASHER 6	1
220		JM21000034	SPRING WASHER 6	4
221		JM21000034	SPRING WASHER 6	32
222		JM21000034	SPRING WASHER 6	4
223		JM21000034	SPRING WASHER 6	2
224		JM21000034	SPRING WASHER 6	2
225		JM21000034	SPRING WASHER 6	4
226		JM21000034	SPRING WASHER 6	4
227		JM21000034	SPRING WASHER 6	1
228		JM21000063	HEX NUT M6	4
229		JM21000063	HEX NUT M6	32
230		JM21000063	HEX NUT M6	4
231		JM21000063	HEX NUT M6	1
232		JM21000063	HEX NUT M6	2
233		JM21000063	HEX NUT M6	2
234		JM21000063	HEX NUT M6	4
235		JM21000037	HEX.SOCKET HEAD SCREW M6X20	1
236		JM21000037	HEX.SOCKET HEAD SCREW M6X20	2
237		JM21000037	HEX.SOCKET HEAD SCREW M6X20	4
238		JM21000020	FLAT WASHER 5	3
239		JM21000020	FLAT WASHER 5	2
240		JM21000020	FLAT WASHER 5	2
241		JM21000020	FLAT WASHER 5	3
242		JM21000028	CROSS HEAD SUNK SCREW M4X10	2
243		JM21000028	CROSS HEAD SUNK SCREW M4X10	2
244		JM21000028	CROSS HEAD SUNK SCREW M4X10	2
245		JM21000028	CROSS HEAD SUNK SCREW M4X10	2
246		JM21000028	CROSS HEAD SUNK SCREW M4X10	2
247		JM21000028	CROSS HEAD SUNK SCREW M4X10	2
248		JM21000026	FLAT WASHER 4	2
249		JM21000026	FLAT WASHER 4	2
250		JM21000026	FLAT WASHER 4	2
251		JM21000026	FLAT WASHER 4	1
252		JM21000026	FLAT WASHER 4	1
253		JM21000083	BIG WASHER 8	1
254		JM21000083	BIG WASHER 8	1
255		JM21000083	BIG WASHER 8	1
256		JM21000083	BIG WASHER 8	1
257		JM21000083	BIG WASHER 8	1
258		JM21000083	BIG WASHER 8	1
259		JM21000083	BIG WASHER 8	2
260		JM21000019	SPRING WASHER 5	2
261		JM21000019	SPRING WASHER 5	2
262		JM21000059	SPRING WASHER 8	4
263		JM21000059	SPRING WASHER 8	2
264		JM21000060	FLAT WASHER 8	4
265		JM21000134	HEX BOLT M6X12	2
266		JM21000032	HEX NUT M4	2
267		JM21000032	HEX NUT M4	3

Item	Sub	Parts No.	Parts Description	Qty
268		JM21000058	HEX NUT M8	2
269		JM21000058	HEX NUT M8	1
270		JM21000027	SPRING WASHER 4	2
271		JM21000027	SPRING WASHER 4	2
272		JM21000087	HEX. SOCKET SET SCREWS M6X10	3
273		JM21000092	COLUMN PIN B	3
274		JM21000093	BEARING 6200	3
275		JM21000094	SLEEVE B	3
276		JM21000095	H.S.BOLT M5X20	3
277		JM21000033	LOCKING NUT M6	1
278		JM21000033	LOCKING NUT M6	1
278-1		JM21000033	LOCKING NUT M6	2
278-2		JM21000033	LOCKING NUT M6	1
279		JM21000033	LOCKING NUT M6	1
280		JM21000033	LOCKING NUT M6	1
280-1		JM21000033	LOCKING NUT M6	2
280-2		JM21000033	LOCKING NUT M6	1
281		JM21000031	CROSS HEAD SUNK SCREW M4X12	2
282		JM21000044	BEARING 6203	1
283		JM21000044	BEARING 6203	1
284		JM21000044	BEARING 6203	1
285		JM21000045	HOLE COLLAR 40	1
286		JM21000045	HOLE COLLAR 40	1
287		JM21000045	HOLE COLLAR 40	1
288		JM21000117	HEX BOLT M5X12	2
289		JM21000118	HEX NUT M5	2
290		JM21000097	CORD PROTECTION TUBE	1
291		JM21000097	CORD PROTECTION TUBE	1
292		JM21000159	TAPPING SCREW ST3.2X8	1
293		JM21000029	MICRO SWITCH PRESS PAW	1
294		JM21000030	MICRO SWITCH BRACKET	1
295		JM21000036	SPACER SLEEVE	1
296		JM21000043	SHAFT RETAINING RING 17	1
297		JM21000047	TIRE	1
298		JM21000055	SPRING BASE	1
299		JM21000073	LIFTING BRACKET COVER	1
300		JM21000086	COLUMN PIN A	1
301		JM21000088	BOLT C	1
302		JM21000091	FIX BRACKET A	1
303		JM21000096	COVER	1
304		JM21000103	SLEEVE A	1
305		JM21000102	MICRO SWITCH	1
306		JM21000104	BRUSH	1
307		JM21000105	BRUSH SCREW	1
308		JM21000106	LOCKNUT M8	1
309		JM21000121	BEARING 6001	1
310		JM21000122	HOLE COLLAR 28	1
311		JM21000131	H.S.BOLT M6X12	1
312		JM21000140	H.S. HEAD SCREW M6X25	1
312-1		JM21000234	H.S. HEAD SCREW M6X35	1
312-2		JM21000140	H.S. HEAD SCREW M6X25	1
313		JM21000141	LATCH KNOB	1
313-1		JM21000231	LATCH KNOB	1
313-2		JM21000141	LATCH KNOB	1
314		JM21000143	CROSS HEAD SUNK SCREW M4X8	1
315		JM21000173	WING NUT M8	1
316		JM21000134	HEX BOLT M6X12	2
317		JM21000032	HEX NUT M4	1
318		JM21000106	LOCKNUT M8	1

Item	Sub	Parts No.	Parts Description	Qty
319		JM21000210	SQUARE NECK BOLT M6X16	16
320		JM21000037	HEX.SOCKET HEAD SCREW M6X20	1
321		JM21000037	HEX.SOCKET HEAD SCREW M6X20	4
322		JM21000037	HEX.SOCKET HEAD SCREW M6X20	4
323		JM21000035	FLAT WASHER 6	1
324		JM21000240	HEX SOCKET HEAD BOLT M4X8	2
325		JM21000026	FLAT WASHER 4	2
326		JM21000027	SPRING WASHER 4	2
327		JM21000241	SPONGE	2
328		JM21010003	LIFTING BRACKET ASSEMBLY	1
328	D10		INC. 51,324,325,326,329	
329		JM21010002	LIFTING BRACKET COMPLETE	1
329	D10		INC. 52,54,327	
330		JM21000232	LOCK KNOB	1
331		JM21000233	COMPRESSION SPRING	1
332		JM21000235	ELASTIC PIN 4X20	1
333		JM21000035	FLAT WASHER 6	1
334		JM21000236	FLAT WASHER 6	1
335		JM21000232	LOCK KNOB	1
336		JM21000233	COMPRESSION SPRING	1
337		JM21000235	ELASTIC PIN 4X20	1
338		JM21000035	FLAT WASHER 6	1
339		JM21000236	FLAT WASHER 6	1
A01		JM21080230	RIP FENCE ASSY	1
A01	C01	JM00000105	PRESS HANDLE COVER	1
A01	C04	JM00000106	PRESS HANDLE B	1
A01	C07	JM00000107	ELASTIC PIN 3X25	1
A01	C10	JM21010004	PRESS PAW WITH RUBBER	1
A01	C13	JM00000108	ECCENTRIC WHEEL 38	1
A01	C16	JM00000111	FENCE BRACKET	1
A01	C19	JM00000112	COMPRESSURE SPRING 0.8	1
A01	C22	JM00000113	HEX SCREW	1
A01	C25	JM00000114	POINTER	1
A01	C28	JM00000115	FLAT WASHER 4	1
A01	C31	JM00000116	CROSS HEAD SCREW M4X10	1
A01	C34	JM00000117	MITER GUAGE KNOB	2
A01	C37	JM00000118	FENCE ADJUST BLOCK	1
A01	C40	JM00000119	HEX BOLT M6X16	2
A01	C43	JM00000120	SPRING WASHER 6	2
A01	C46	JM00000121	FLAT WASHER 6	2
A01	C49	JM00000122	RIP FENCE	1
A01	C52	JM00000123	FENCE SEAL PLATE A	1
A01	C55	JM00000124	GUIDE PLATE A	1
A01	C58	JM00000125	GUIDE PLATE B	1
A01	C61	JM00000126	GUIDE PLATE KNOB	1
A01	C64	JM00000127	FENCE SEAL PLATE B	1
A01	C67	JM00000128	SQUARE NECK BOLT M6X60	2
A01	C70	JM00000129	PIN SHAFT A	1
A01	C73	JM00000130	PIN SHAFT B	1
A01	C76	JM00000131	FRICTION PLATE	1
A01	C79	JM00000132	CROSS HEAD SUNK SCREW M4X14	1
A02		JM21080260	MITER GUAGE ASSY	1
A03		JM21080290	PUSH STICK	1
A04		JM21080291	HEX WRENCH 4	1
A05		JM21080292	HEX WRENCH 5	1
A06		JM21080293	DUST COLLECTOR PORT A	1
A07		JM21080294	SAW BLADE 6	1
A08		JM21080295	SAW BLADE 13	1
A09		JM21080296	SAW BLADE 16	1

Item	Sub	Parts No.	Parts Description	Qty
A10		JM21080297	SAW BLADE 16	1