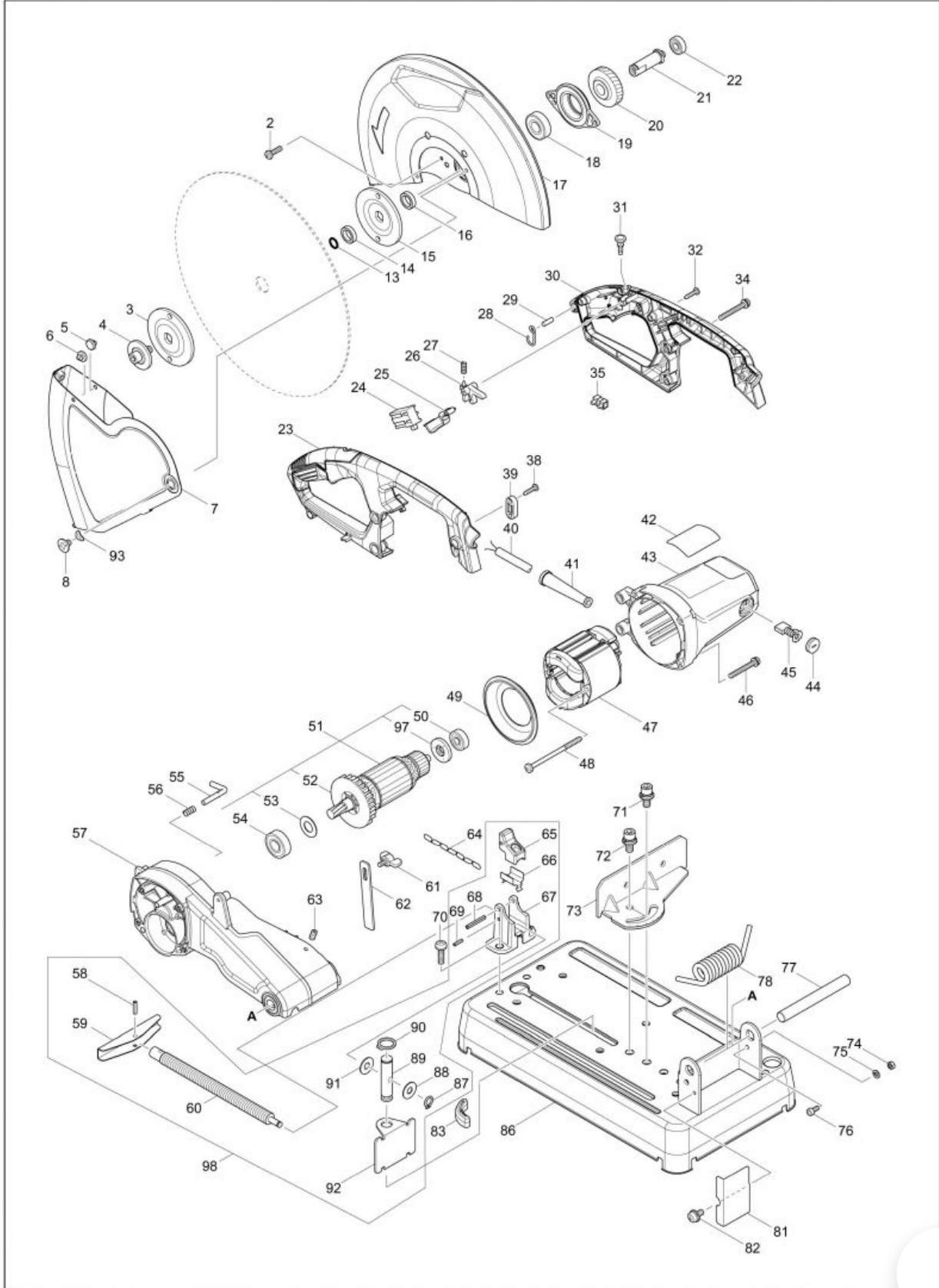


Part Diagram

(MY) M2401 / 355MM PORTABLE CUT OFF



Item	Sub	Parts No.	Parts Description	Qty
002		265122-5	PAN HEAD SCREW M5X20	4
003		224299-5	FLANGE 90	1
004		251498-6	HEX SOCKET HEAD BOLT M10X25	1
005		416771-3	PLUG	1
006		416771-3	PLUG	1
007		161529-2	SAFETY GUIDE	1
008		265121-7	+ FLAT HEAD SCREW M6	1
013		213180-5	O RING 14	1
014		257255-0	RING 17	1
015		224299-5	FLANGE 90	1
016		257255-0	RING 17	1
017		161530-7	SAFETY COVER	1
018		210155-5	BALL BEARING 6203ZZ	1
019		316527-3	BEARING BOX	1
020		221462-1	HELICAL GEAR 43	1
021		326790-0	SPINDLE	1
021-1		322633-4	SPINDLE	1
022A		210067-2	BALL BEARING 6000ZZ	1
022-1A		210199-5	BALL BEARING 6000ZZ	1
022-1B		210199-5	BALL BEARING 6000ZZ	1
023A		183E49-6	HANDLE SET	1
023B		183E50-1	HANDLE SET	1
	D10		INC. 30	
024		651067-7	SWITCH	1
025		418141-2	SWITCH LEVER	1
026		418139-9	SWITCH LOCK	1
027		231397-8	COMPRESSION SPRING 4	1
028		281216-8	HANGER	1
029		268101-2	PIN 6	1
030A		183E49-6	HANDLE SET	1
030B		183E50-1	HANDLE SET	1
	D10		INC. 23	
031		418138-1	SWITCH BUTTON	1
032		266841-6	TAPPING SCREW 4X18	4
032-1		266326-2	TAPPING SCREW 4X18	4
032-2		265652-6	TAPPING SCREW 4X18	4
034		265104-7	PAN HEAD SCREW M5X40	3
038		266841-6	TAPPING SCREW 4X18	2
038-1		266326-2	TAPPING SCREW 4X18	2
038-2		265652-6	TAPPING SCREW 4X18	2
039		687124-5	STRAIN RELIEF	1
040A		692730-3	POWER SUPPLY CORD 1.0-2-2.5	1
040-1A		692519-9	POWER SUPPLY CORD 1.0-2-2.5	1
040-1B		692519-9	POWER SUPPLY CORD 1.0-2-2.5	1
041A		682540-6	CORD GUARD 9.3-90	1
041-1A		682574-9	CORD GUARD 10-90	1
041-1B		682574-9	CORD GUARD 10-90	1
042		852N80-4	M2401 NAME PLATE	1
043A		144054-8	MOTOR HOUSING COMPLETE	1
043B		144055-6	MOTOR HOUSING COMPLETE	1
043-1A		140X59-0	MOTOR HOUSING COMPLETE	1
043-1B		140X63-9	MOTOR HOUSING COMPLETE	1
044		644802-0	HOLDER CAP	2
045		191953-5	CARBON BRUSH CB-203	1
046		265104-7	PAN HEAD SCREW M5X40	
047		593949-6	FIELD ASS'Y 240V	
047-1		593949-6	FIELD ASS'Y 240V	
048A		266328-8	TAPPING SCREW 5X80	2

Item	Sub	Parts No.	Parts Description	Qty
048-1A		265A45-3	TAPPING SCREW 5X80	2
048-1B		265A45-3	TAPPING SCREW 5X80	2
049		418143-8	BAFFLE PLATE	1
050		210070-3	BALL BEARING 6200ZZ	1
051		513494-5	ARMATURE ASS'Y 240V	1
	D10		INC. 50,52-54,97	
052		240003-4	FAN 80	1
053		267274-8	FLAT WASHER 15	1
054		210156-3	BALL BEARING 6202ZZ	1
055		322665-1	STOPPER	1
056		233372-0	COMPRESSION SPRING 7	1
057		144057-2	GEAR HOUSING COMPLETE	1
	C10	263029-9	RUBBER PIN 6	1
	C11	263005-3	RUBBER PIN 6	1
058		951163-4	SPRING PIN 5-20	1
059		271431-2	HANDLE 120	1
060		326802-9	WISE SCREW	1
061		265754-8	THUMB SCREW M6X12	1
062		347084-0	STOPPER PLATE	1
063		251961-9	H.S.SET SCREW(FLAT POINT)M6X10	2
064		282015-1	CHAIN	1
065		313114-9	WISE NUT	1
066		347083-2	PLATE	1
067		319474-7	SCREW GUIDE	1
068		951175-7	SPRING PIN 5-36	1
069		951110-5	SPRING PIN 4-16	1
070A		265125-9	PAN HEAD SCREW M8X30	2
070-1A		265A65-7	PAN HEAD SCREW M8X30	2
070-1B		265A65-7	PAN HEAD SCREW M8X30	2
071		251499-4	H. S. HEAD BOLT M10X25 WITH WG	1
072		251499-4	H. S. HEAD BOLT M10X25 WITH WG	1
073		345315-1	GUIDE PLATE	1
074		931302-2	HEX. NUT M6	1
075A		942151-2	SPRING WASHER 6	1
075-1A		253428-3	SPRING WASHER 6	1
075-1B		253428-3	SPRING WASHER 6	1
076		922312-0	HEX. SOCKET HEAD BOLT M6X12	1
077		326801-1	ROD 16	1
078		232325-6	TORSION SPRING 20	1
081		345313-5	SPARK GUARD	1
082A		265144-5	PAN HEAD SCREW M6X12	1
082-1A		911313-3	PAN HEAD SCREW M6X12 WITH WR	1
082-1B		911313-3	PAN HEAD SCREW M6X12 WITH WR	1
083		421834-2	CUSHION	3
086		161528-4	BASE	1
087		961004-6	RETAINING RING (EXT) S-8	1
088		267257-8	FLAT WASHER 8	1
089A		256334-1	SHOULDER PIN 10-16	1
089-1A		256474-5	SHOULDER PIN 10-16	1
089-1B		256474-5	SHOULDER PIN 10-16	1
090		961056-7	RETAINING RING S-16	1
091		267257-8	FLAT WASHER 8	1
092		347085-8	WISE PLATE	1
093		253903-9	WAVE WASHER 6	1
097		681630-2	INSULATION WASHER	1
098		135841-6	WISE ASS'Y	
	D10		INC. 58-60,65-69,87-92	
A01		783023-0	HEX. WRENCH 8	1
A02		A-89545	CUTTING WHEEL 14"	1