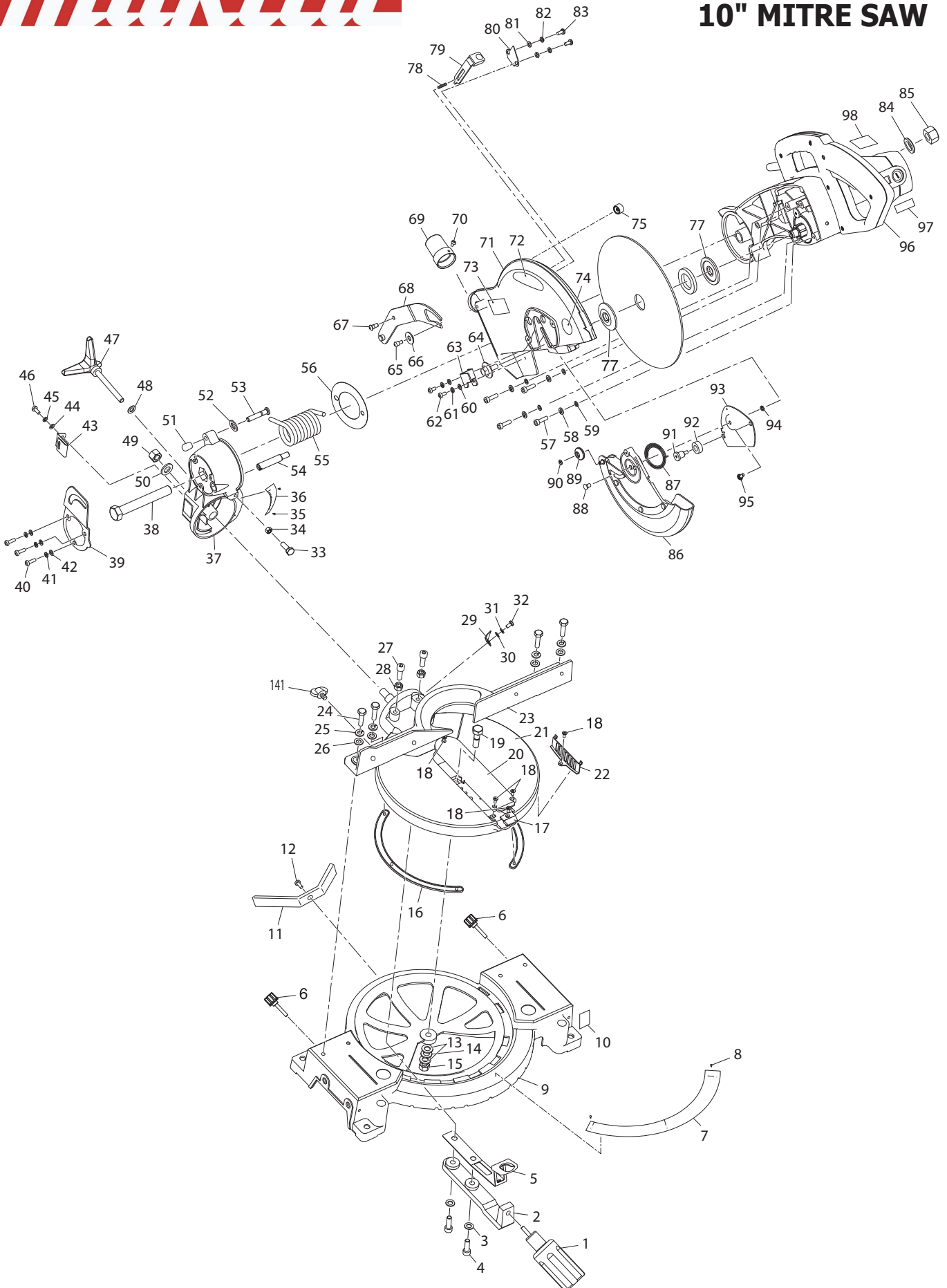
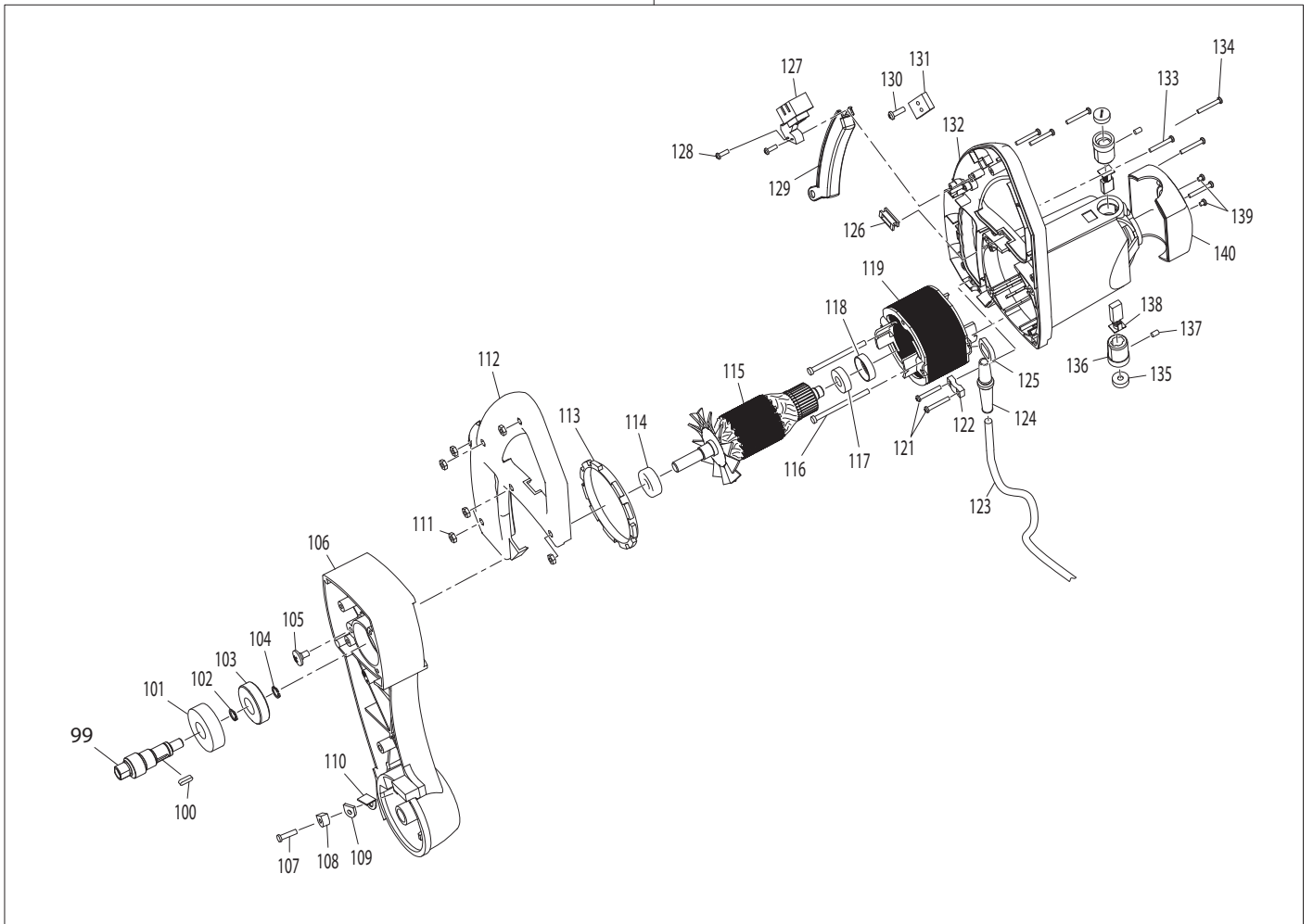




06 - 2010  
MLS100  
10" MITRE SAW





Item No.	Type	Sub	Part No.	Description (* see Service changes on the bottom)	Qty	Unit
1			JM23000001	GRIP	1	PC.
2			JM23000002	HANDLE BRACKET	1	PC.
3			JM23000003	SPRING WASHER8	2	PC.
4			JM23000004	HEX. SOCKET HEAD BOLT M8 X 20	2	PC.
5			JM23000005	KNOCK SPRING	1	PC.
6			JM23000006	LOCK KNOB FOR EXT.WINGS	2	PC.
7			JM23000007	MITER ANGLE LABEL	1	PC.
8			JM23000008	RIVET	2	PC.
9			JM23000009	BASE COMP	1	PC.
		INC.		Item No. 7,8,10		
10			810965-6	CAUTION LABEL	1	PC.
11			JM23000011	BASE SUPPORTER	1	PC.
12			JM23000012	SCREW	1	PC.
13			JM23000013	FLAT WASHER10	2	PC.
14			JM23000014	SADDLE SHAPE WASHER	1	PC.
15			JM23000015	ANTI-LOOSE NUTM10	1	PC.
16			JM23000016	SLIDE PLATE	2	PC.
17			JM23000017	MITER ANGLE POINTER	1	PC.
18			JM23000018	COUNTERSUNK HEAD SCREW M4X10	5	PC.
19			JM23000019	PIVOT	1	PC.
20			JM23000141	KERF BOARD	1	PC.
21			JM23000021	TURN BASE COMP.	1	PC.
22			JM23000022	PROTECTION NET	1	PC.
23			JM23000023	GUIDE RULE	1	PC.
24			JM23000024	HEX.BOLT M8X30	4	PC.
25			JM23000003	SPRING WASHER8	4	PC.
26			JM23000026	FLAT WASHER8	4	PC.
27			JM23000027	HEX. BOLT M8 X 20	2	PC.
28			JM23000028	HEX. NUT M8	2	PC.
29			JM23000029	BEVEL POINTER	1	PC.
30			JM23000030	FLAT WASHER5	1	PC.
31			JM23000031	SPRING WASHER5	1	PC.
32			JM23000032	PAN HEAD SCREW M5 X 10	1	PC.
33			JM23000033	HEX. BOLT M8X16	1	PC.
34			JM23000028	HEX. NUT M8	1	PC.
35			JM23000034	RIVET	2	PC.
36			JM23000035	SCALE LABEL	1	PC.
37			JM23000036	ARM COMPLETE	1	PC.
		INC.		Item No. 35,36		
38			JM23000037	SHAFT	1	PC.
39			JM23000038	LINK SUPPORT PLATE	1	PC.
				(N/L/A individually - Included in No. 68)		
40			JM23000039	PAN HEAD SCREW M6 X 16	3	PC.
41			JM23000040	SPRING WASHER6	3	PC.
42			JM23000041	FLAT WASHER6	3	PC.
43			JM23000042	CLIP	1	PC.
44			JM23000030	FLAT WASHER5	1	PC.
45			JM23000031	SPRING WASHER5	1	PC.
46			JM23000032	PAN HEAD SCREW M5 X 10	1	PC.
47			JM23000143	KNOB	1	PC.
48			JM23000013	FLAT WASHER10	1	PC.
49			JM23000044	ANTI-LOOSE NUTM12	1	PC.
50			JM23000045	FLAT WASHER12	1	PC.
51			JM23000046	LOCK PIN CAP	1	PC.
52			JM23000047	O RING	1	PC.
53			JM23000048	PIN	1	PC.
54			JM23000049	LIMIT PIN	1	PC.

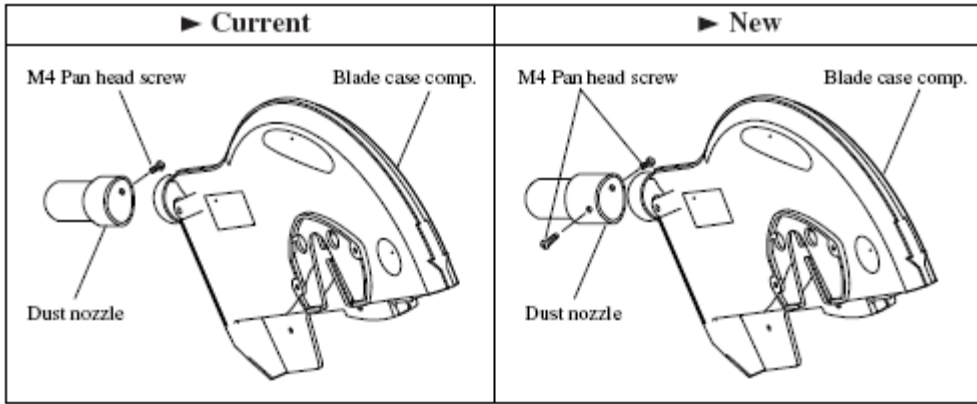
Item No.	Type	Sub	Part No.	Description (* see Service changes on the bottom)	Qty	Unit
55			JM23000050	TORSIONAL SPRING	1	PC.
56			JM23000051	RING	1	PC.
57			JM23000052	HEX. SOCKET HEAD BOLT M6 X 20	4	PC.
58			JM23000040	SPRING WASHER6	4	PC.
59			JM23000041	FLAT WASHER6	4	PC.
60			JM23000030	FLAT WASHER5	2	PC.
61			JM23000031	SPRING WASHER5	2	PC.
62			JM23000032	PAN HEAD SCREW M5 X 10	2	PC.
63			JM23000053	PLATE	1	PC.
64			JM23000054	BLADE LOCK BOLT	1	PC.
65			JM23000055	STEPPED BOLT M5	1	PC.
66			JM23000056	BUSH	1	PC.
67			JM23000057	STEPPED BOLT M6	1	PC.
68	1		JM23000058	LINK COMP.	1	PC.
	2		JM23000058	LINK COMP.	1	PC.
		INC.	JM23000038	LINK SUPPORT PLATE	1	PC.
69	1		JM23000059	* DUST NOZZLE	1	PC.
	2		JM23000178	* DUST NOZZLE	1	PC.
70			JM23000060	* PAN HEAD SCREW M4	2	PC.
71	1		JM23000146	* BLADE CASE COMP.	1	PC.
		INC.		* Item No. 72-74		
	2		JM23000180	* BLADE CASE COMP.	1	PC.
		INC.		* Item No. 72-74		
72			JM23080002	MAKITA LABEL	1	PC.
73			817667-5	CAUTION LABEL	1	PC.
74			810968-0	CAUTION LABEL	1	PC.
75			JM23000063	LIMIT RING	1	PC.
77			JM23000065	FLANGE	2	PC.
78			JM23000066	LOCK SPRING	1	PC.
79			JM23000067	SHAFT LOCK	1	PC.
80			JM23000068	COVER	1	PC.
81			JM23000030	FLAT WASHER5	2	PC.
82			JM23000031	SPRING WASHER5	2	PC.
83			JM23000069	PAN HEAD SCREW M5 X 12	2	PC.
84			JM23000070	FLAT WASHER16	1	PC.
85			JM23000071	ANTI-LOOSE NUT16	1	PC.
86			JM23000072	SAFETY COVER COMP.	1	PC.
87			JM23000073	TORSION SPRING	1	PC.
88			JM23000074	SQUARE NECK BOLTM6X10	1	PC.
89			JM23000075	WHEEL	1	PC.
90			JM23000076	E RING	1	PC.
91			JM23000077	STEPPED BOLT M6	1	PC.
92			JM23000078	RUBBER SLEEVE	1	PC.
93			JM23000079	FIX PLATE	1	PC.
94			JM23000080	ANTI-LOOSE NUTM6	1	PC.
95			JM23000081	STEPPED BOLT M5	1	PC.
97			810964-8	CAUTION LABEL	1	PC.
98			JM23080055	NAME PLATE	1	PC.
99			JM23000084	SPINDLE	1	PC.
100			JM23000085	KEY5X10	1	PC.
101			JM23000086	BALL BEARING 6304-RZ	1	PC.
102			JM23000087	SPACE RING 20	1	PC.
103			JM23000088	HELICAL GEAR	1	PC.
104			JM23000089	SPACE RING 16	1	PC.
105			JM23000090	PAN HEAD SCREW M6	1	PC.
106			JM23000091	GEAR HOUSING COMP.	1	PC.
107			JM23000092	PAN HEAD SCREW M5 X 20	1	PC.

Item No.	Type	Sub	Part No.	Description (* see Service changes on the bottom)	Qty	Unit
108			JM23000093	LIMIT PLATE	1	PC.
109			JM23000094	LIMIT PAD	1	PC.
110			JM23000095	ADJUST PAD	1	PC.
111			JM23000096	HEX.NUTM4	6	PC.
112			JM23000149	HANDLE COVER	1	PC.
113			JM23000098	FAN GUIDE	1	PC.
114			JM23000099	BALL BEARING 6201Z	1	PC.
115			JM23000167	ARMATURE ASS'Y. (120V)	1	PC.
		INC.		Item No. 114,117		
116			JM23000101	SELF TAPING SCREWST4.8X70	2	PC.
117			JM23000102	BALL BEARING 6001Z	1	PC.
118			JM23000103	RUBBER RING	1	PC.
119			JM23000169	FIELD ASS'Y (120V)	1	PC.
		INC.	----	RECEPTACLE F/ARMATURE (N/A for repair)	2	PC.
120			----	* RECEPTACLE F/SWITCH (For 18 GAUGE WIRE)	3	PC.
			----	* RECEPTACLE F/SWITCH (For 16 GAUGE WIRE)	1	PC.
121			JM23000106	SELF TAPING SCREWST4.2X12	2	PC.
122			JM23000107	STRAIN RELIEF	1	PC.
123			JM23000163	POWER SUPPLY CORD	1	PC.
124			JM23000109	CORD GUARD	1	PC.
125			JM23000110	NOISE SUPPRESSOR	1	PC.
126			JM23000111	CLAMP	1	PC.
127			JM23000112	SWITCHCB21-B	1	PC.
128			JM23000113	SELF TAPING SCREWST 3X8	2	PC.
129			JM23000114	SWITCH LEVER	1	PC.
130			JM23000115	SELF TAPING SCREWST4.2X12	2	PC.
131			JM23000116	TERMINAL BASE	1	PC.
132			JM23000151	MOTOR HOUSING COMP.	1	PC.
		INC.		Item No. 97,136,137		
133			JM23000118	PAN HEAD SCREW M4X30	6	PC.
134			JM23000119	SELFTAPPING SCREW	1	PC.
135			JM23000120	BRUSH HOLDER CAP	2	PC.
136			JM23000121	BRUSH HOLDER	2	PC.
137			JM23000122	HEX. SOCKET HEAD BOLT M5 X 8	2	PC.
138			JM23000123	CARBON BRUSH	1	SET
139			JM23000124	SELF TAPING SCREWST5.2X12	2	PC.
140			JM23000125	MOTOR REAR COVER	1	PC.
141			JM23000126	WING BOLT	1	PC.
151			JM23000183	CAPACITOR (Add)	1	PC.
152			JM23000185	* KNOCK SPRING CAP (Add)	1	PC.
200			JM23000129	WING BOLT(FOR SET PLATE)	1	PC.
<b>ACCESSORIES</b>				<b>- See Catalogue or visit <a href="http://www.makita.ca">www.makita.ca</a> for optional accessories -</b>		
A01			JM23000127	HOLDER SET	2	PC.
A02			JM23000128	SET PLATE	2	PC.
A03			JM23000130	WRENCH	1	PC.
A04			JM23000131	VERTICAL VISE ASS'Y	1	PC.
A05	1		122523-9	DUST BAG ASS'Y	1	PC.
	2		122852-0	DUST BAG ASS'Y	1	PC.
A06			762001-3	TRIANGULAR RULE	1	PC.
A07			A-93669	10" C.T. SAW BLADE 40T	1	PC.

## SERVICE CHANGES

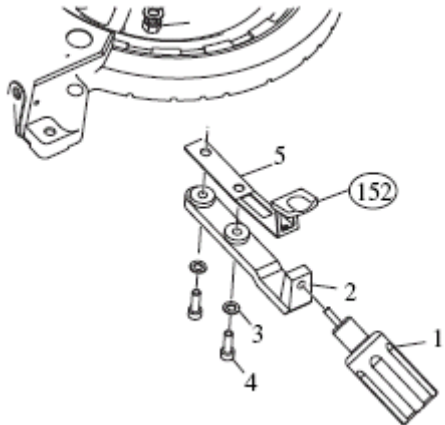
### 1. Changes on Dust Nozzle and Blade Case Complete

Item No.	Description	Type 1	Type 2
69	Dust Nozzle	JM23000059	JM23000178
70	P.H Screw	JM23000060 (1pcs)	JM23000060 (2pcs)
71	Blade Case Com.	JM23000146	JM23000180



### 2. Addition of Knock Spring Cap

Item No.	Description	Type 1	Type 2
152	KNOCK SPRING CAP	----	JM23000185



### 3. RECEPTACLE FOR SWITCH

Item No.	Description
120	Receptacle for 18 guage wire x 1
	Receptacle for 16 guage wire x 3

\*Please buy receptacle locally and have shrink tubing to insulate the receptacle