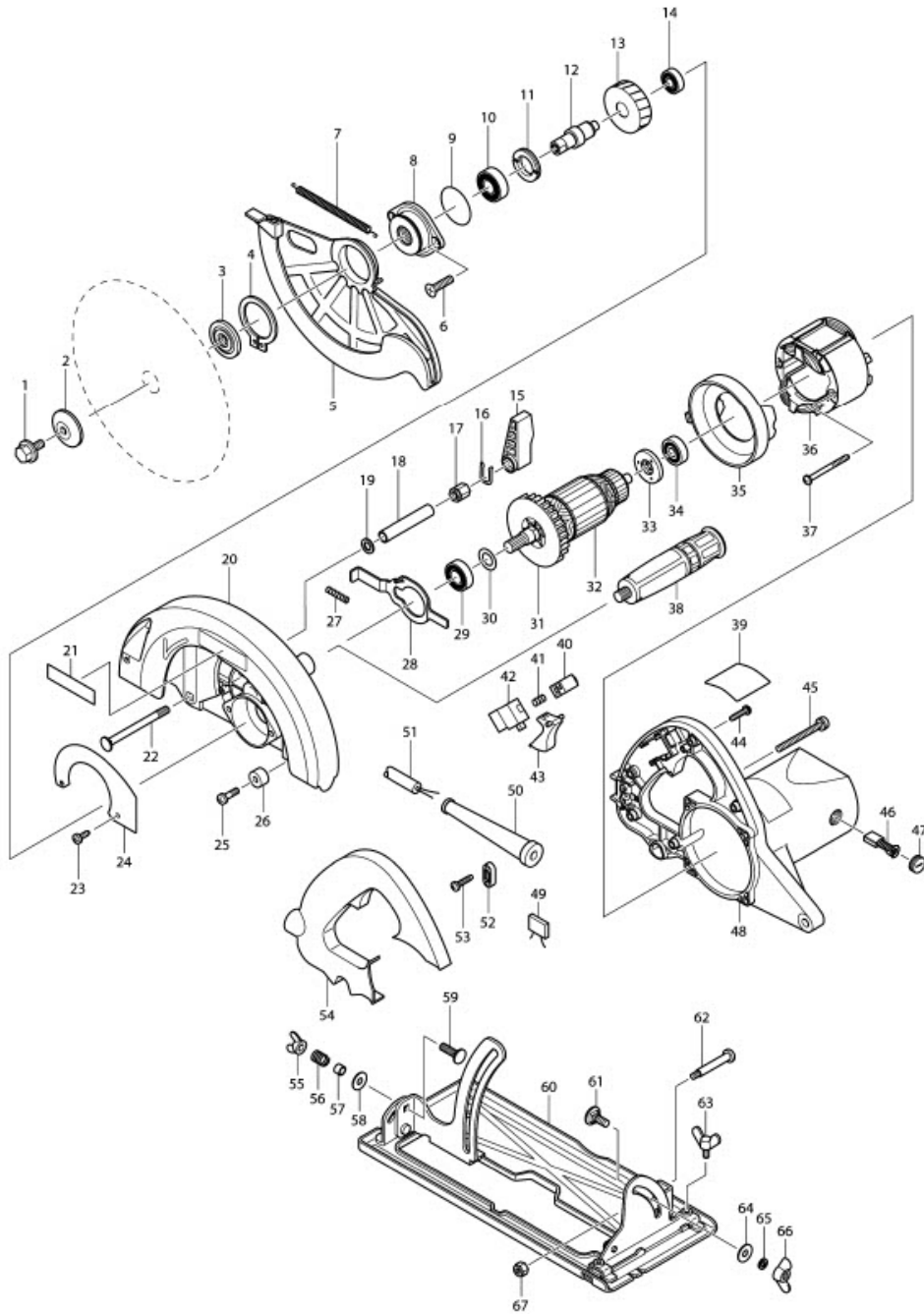


Part Diagram

Model No.N5900B CIRCULAR SAW 235MM



Item	Sub	Parts No.	Parts Description	Qty
1		251644-1	HEX. FLANGE HEAD BOLT M8X20	1
2		224301-4	OUTER FLANGE 42	1
3		224303-0	INNER FLANGE 42	1
4		961202-2	RETAINING RING S-45	1
5		165374-7	SAFETY COVER	1
6		265031-8	+ COUNTERSUNK HEAD SCREW M6X20	2
7		231834-2	TENSION SPRING 5	1
8		317744-8	BEARING BOX	1
9		213560-5	O RING 44	1
10		211228-7	BALL BEARING 6202DDW	1
11		285809-3	BEARING RETAINER 23-36	1
12		323955-5	SPINDLE	1
13		226523-2	HELICAL GEAR 39	1
14		211088-7	BALL BEARING 6000DDW	1
15		272230-5	LEVER 54	1
16		231955-0	RING SPRING 12	1
17		252134-7	HEX. NUT M8	1
18		331568-8	PIPE 9	1
19		941201-0	FLAT WASHER 8	1
20		183707-4	BLADE CASE SET	1
20	C10	263005-3	RUBBER PIN 6	1
20	D10		INC. 21	
020-1		151847-6	BLADE CASE COMPLETE	1
020-1	C10	263005-3	RUBBER PIN 6	1
21		819064-1	MAKITA MARK	1
22		266237-1	CAP SQUARE NECK BOLT M8X90	1
23		266026-4	TAPPING SCREW BIND CT 4X12	2
24		344845-9	COVER PLATE	1
25		251247-1	+ PAN HEAD SCREW M6X20	1
26		262552-1	RUBBER SLEEVE 6	1
27		233264-3	COMPRESSION SPRING 5	1
28		344844-1	SHAFT LOCK	1
29		211236-8	BALL BEARING 6002DDW	1
30		267164-5	FLAT WASHER 15	1
31		240003-4	FAN 80	1
32		516819-2	ARMATURE ASS'Y 240V	1
32	D10		INC. 29-31,33,34	
33		681630-2	INSULATION WASHER	1
34		211066-7	BALL BEARING 6200LLB	1
35		417114-2	BAFFLE PLATE	1
36		596209-5	FIELD ASS'Y 240V	1
36	C10	654020-2	RING TERMINAL	2
36	C20	654502-4	CONNECTOR P-2	2
37		266044-2	TAPPING SCREW 5X60	2
38		152612-6	GRIP 36 COMPLETE	1
39		850732-7	NAME PLATE N5900B	1
40		417116-8	LOCK-ON BUTTON	1
41		233284-7	COMPRESSION SPRING 5	1
42		651984-1	SWITCH TG71B-2	1
43		417115-0	SWITCH LEVER	1
44		265995-6	TAPPING SCREW 4X18	5
45		911273-9	PAN HEAD SCREW M5X50	4
46		181044-0	CARBON BRUSH CB-153	1
47		643650-4	BRUSH HOLDER CAP 6.5-13.5	2
047-1		643650-4	BRUSH HOLDER CAP 6.5-13.5	2
48		151848-4	MOTOR HOUSING COMPLETE	1
48	C10	643660-1	BRUSH HOLDER 6.5-13.5	2
48	C11	643653-8	BRUSH HOLDER 6.5-13.5	2

Item	Sub	Parts No.	Parts Description	Qty
50		682564-2	CORD GUARD	1
51		692527-0	POWER SUPPLY CORD 1.0-2-2.5	1
52		687052-4	STRAIN RELIEF	1
052-1		687124-5	STRAIN RELIEF	1
53		265995-6	TAPPING SCREW 4X18	2
54		417118-4	HANDLE COVER	1
55		934301-3	WING NUT M6	1
56		231139-0	COMPRESSION SPRING 9	1
57		257669-3	SLEEVE 6	1
58		253047-5	FLAT WASHER 6	1
59		251919-8	CAP SQUARE NECK BOLT M6X20	1
60		168389-3	BASE	1
61		266330-1	FLAT HEAD SQ. NECK BOLT M6X16	1
62		251221-9	+ PAN HEAD SCREW M6	1
63		924306-1	WING BOLT M6X10	1
64		253047-5	FLAT WASHER 6	1
65		942151-2	SPRING WASHER 6	1
065-1		253428-3	SPRING WASHER 6	1
66		934301-3	WING NUT M6	1
67		252014-7	HEX. LOCK NUT M6-10	1
A01		164367-1	GUIDE RULE	1
A02		782016-4	OFFSET WRENCH 13	1
A03		A-89947	TCT SAW BLADE 235X20TX25	1