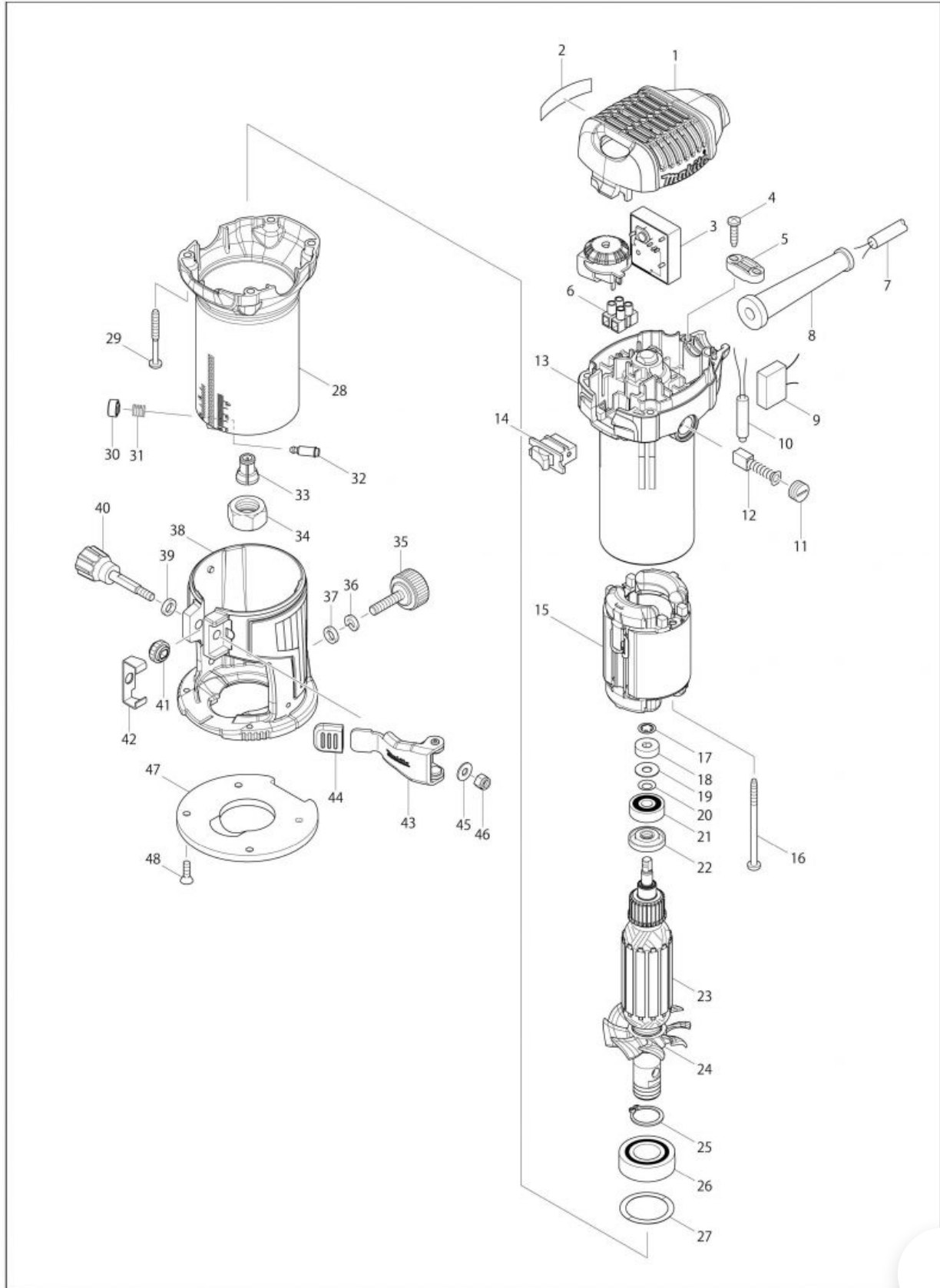


# Part Diagram

(MY) RT0700C / TRIMMER



Item	Sub	Parts No.	Parts Description	Qty
001		452465-6	TOP COVER	1
001-1		413E90-8	TOP COVER	1
002		869668-9	RT0700C NAME PLATE	1
003		620040-8	CONTROLLER	1
004		266326-2	TAPPING SCREW 4X18	2
005		687123-7	STRAIN RELIEF	1
006		654542-2	TERMINAL BLOCK 2P	1
007		692021-2	POWER SUPPLY CORD 1.0-2-2.5	1
008		682569-2	CORD GUARD 8-85	1
011		643550-8	BRUSH HOLDER CAP 5-8	2
012		191940-4	CARBON BRUSH CB-411	1
013		140736-0	BRACKET COMPLETE	1
	C10	643455-2	BRUSH HOLDER 6X9	2
013-1		141N79-7	BRACKET COMPLETE	1
	C10	643455-2	BRUSH HOLDER 6X9	2
014		651527-9	SWITCH	1
015		633769-7	FIELD 240V	1
015-1		593769-8	FIELD ASS'Y 240V	1
	C10	654100-4	RING TERMINAL	1
	C20	654501-6	CONNECTOR P-1.25	1
	C21	654485-8	PARALLEL SPLICE	1
016		266340-8	TAPPING SCREW 4X65	2
017		259039-2	SELF LOCK 6	1
018		688174-3	MAGNET SLEEVE	1
018-1		688117-5	MAGNET SLEEVE	1
019		253332-6	THIN WASHER 6	1
020		267756-0	WAVE WASHER 6	1
021		210023-2	BALL BEARING 627DDW	1
022A		681668-7	INSULATION WASHER	1
022-1A		681668-7	INSULATION WASHER	1
022-1B		681668-7	INSULATION WASHER	1
023		515844-0	ARMATURE ASS'Y 240V	1
	D10		INC. 17-22,24-26	
023-1		510532-4	ARMATURE ASS'Y 240V	1
	D10		INC. 17-22,24-26	
024		240125-0	FAN 55	1
025		961057-5	RETAINING RING S-17	1
026		210301-0	BALL BEARING 6003DDW	1
026-1		210268-2	BALL BEARING 6003DDW	1
027		253906-3	WAVE WASHER 26	1
028		140735-2	OUTER HOUSING COMPLETE	1
028-1		140735-2	OUTER HOUSING COMPLETE	1
029		266560-4	TAPPING SCREW 4X40	4
030		452468-0	PUSH BUTTON	1
031		233127-3	COMPRESSION SPRING 7	1
032		256437-1	PIN 4	1
033		763637-1	COLLET CONE 1/4"	1
034		763615-1	COLLET NUT	1
035		265763-7	THUMB SCREW M6X25	1
036		942151-2	SPRING WASHER 6	1
036-1		253428-3	SPRING WASHER 6	1
037		941151-9	FLAT WASHER 6	1
038-1		142403-3	TRIMMER BASE COMPLETE	1
039		941151-9	FLAT WASHER 6	1
040		265792-0	THUMB SCREW M5X35	
041		227262-7	SPUR GEAR 16	
042		346392-6	CAM PLATE	
043		163524-8	LOCK LEVER COMPLETE	1

Item	Sub	Parts No.	Parts Description	Qty
044		424396-9	RUBBER CAP	1
045		941101-4	FLAT WASHER 5	1
046		252103-8	HEX. LOCK NUT M5-8	1
047-1		454842-8	BASE PROTECTOR	1
048		912112-6	COUNTERSUNK HEAD SCREW M4X10	4
A01		122965-7	STRAIGHT GUIDE ASSEMBLY	1
	C10	252649-4	THUMB NUT M6	1
	C20	266339-3	CAP SQUARE NECK BOLT M6X20	1
	C30	346382-9	GUIDE PLATE	1
A02A		194733-8	DUST NOZZLE SET	1
	C10	213022-3	O RING 3	2
	C20	265774-2	THUMB SCREW M4X19	1
A03		195559-1	DUST NOZZLE SET	1
	C10	265774-2	THUMB SCREW M4X19	1
A04		343577-5	TEMPLER GUIDE 10	1
A05		763619-3	COLLET CONE 3/8"	1
A06		781011-1	WRENCH 22	1
A07		781039-9	WRENCH 13	1
A08A		344364-5	TEMPLER GUIDE 16	1
A09A		122703-7	TRIMMER GUIDE ASS'Y	1
	C10	251471-6	- FLAT HEAD SCREW M5	1
	C20	265135-6	+ COUNTERSUNK HEAD SCREW M4X1	1
	C30	265763-7	THUMB SCREW M6X25	1
	C40	265764-5	THUMB SCREW M6	1
	C50	317788-8	GUIDE HOLDER	1
	C60	324378-0	ROLLER 11	1
	C70	341136-9	HOOK	1
	C80	941151-9	FLAT WASHER 6	1
A10A		195563-0	PLUNGE BASE SET	1
	D10		COMPO-PARTS	
A11A		195561-4	TILT BASE SET	1
	D10		COMPO-PARTS	
A11-1A		198985-3	TILT BASE SET	1
A11-2A		198987-9	TILT BASE SET	1
A12A		153489-2	GRIP 36 COMPLETE	1
A13A		195564-8	GUIDE HOLDER SET	1
	C10	252649-4	THUMB NUT M6	1
	C20	256850-3	ROD 8	2
	C30	266339-3	CAP SQUARE NECK BOLT M6X20	1
A14A		831327-5	TOOL BAG	1