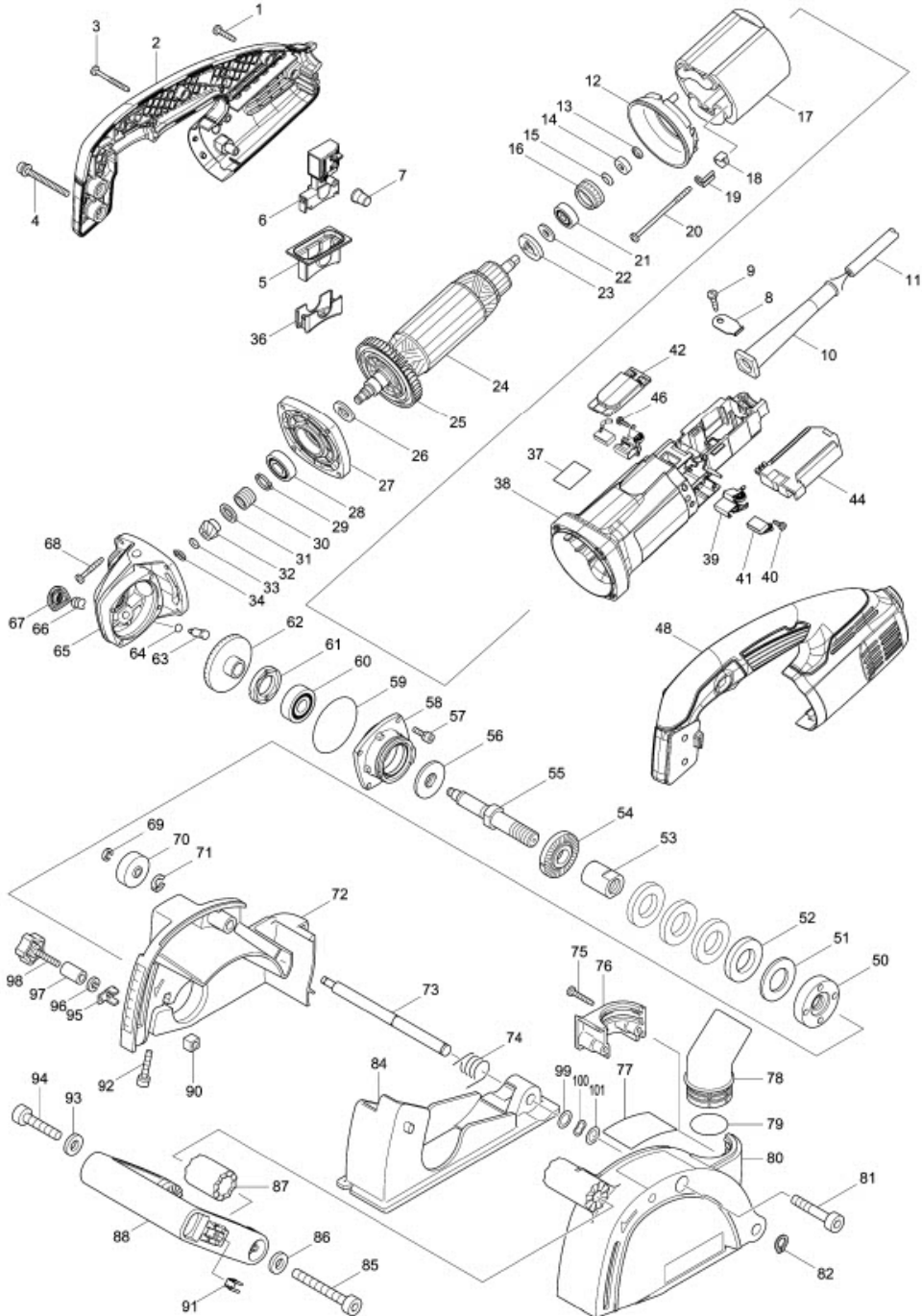


# Part Diagram

Model No.SG1251 125MM(5")WALL CHASER



Item	Sub	Parts No.	Parts Description	Qty
1		265995-6	TAPPING SCREW 4X18	3
2		187942-6	HANDLE SET	1
2	D10		INC. 48	
3		266048-4	TAPPING SCREW 4X40	3
4		911263-2	PAN HEAD SCREW M5X40	2
5		424457-5	DUST COVER	1
6		650113-3	SWITCH SGEL115CDY-15	1
7		421459-2	DUST COVER	1
8		687169-3	STRAIN RELIEF	1
9		266192-7	TAPPING SCREW 4X14	1
10		682573-1	CORD GUARD 10	1
11		692541-6	POWER SUPPLY CORD 1.00-2-5.0	1
12		413076-2	BAFFLE PLATE	1
13		259039-2	SELF LOCK 6	1
14		688117-5	MAGNET SLEEVE	1
15		267756-0	WAVE WASHER 6	1
16		421738-8	LABYRINTH RUBBER RING 22	1
17		626678-7	FIELD 220-240V	1
18		417237-6	INSULATION COVER	2
19		344871-8	RETAINER	2
20		266258-3	TAPPING SCREW 4X70	2
21		210027-4	BALL BEARING 627DDW	1
22		253823-7	FLAT WASHER 7	1
23		681656-4	INSULATION WASHER	1
24		515208-8	ARMATURE ASS'Y 220-240V	1
24	D10		INC. 21-23,25	
25		240033-5	FAN 57	1
26		253084-9	FLAT WASHER 12	1
27		317359-1	GEAR HOUSING COVER	1
28		210105-0	BALL BEARING 6001LLU	1
29		961052-5	RETAINING RING S-12	1
30		233901-9	LOCK SPRING 12	1
31		253052-2	FLAT WASHER 12	1
32		227429-7	SPIRAL BEVEL GEAR 9	1
33		253077-6	FLAT WASHER 6	1
34		961002-0	RETAINING RING S-6	1
36		452942-8	SWITCH COVER	1
37		804W32-5	SJS MARK LABEL	1
38		455385-3	MOTOR HOUSING	1
39		643760-7	BRUSH HOLDER	2
40		266256-7	TAPPING SCREW PT3X10	2
41		191978-9	A.C. CARBON BRUSH CB-318	1
42		455386-1	MOTOR HOUSING COVER	1
44		620336-7	CONTROLLER	1
46		266256-7	TAPPING SCREW PT3X10	2
48		187942-6	HANDLE SET	1
48	D10		INC. 2	
50		224577-3	LOCK NUT 14-45	1
51		331661-8	SPACER 3	1
52		331662-6	SPACER 6	4
53		257732-2	SLEEVE 14	1
54		224415-9	INNER FLANGE 42	1
55		324393-4	SPINDLE	1
56		415300-9	LABYRINTH RING	1
57		265490-6	HEX. SOCKET HEAD BOLT M4X16	4
58		318302-3	BEARING BOX	1
59		213673-2	O RING 52	1
60		211129-9	BALL BEARING 6201DDW	1

Item	Sub	Parts No.	Parts Description	Qty
61		285841-7	BEARING RETAINER	1
62		227430-2	SPIRAL BEVEL GEAR 35	1
63		256459-1	PIN	1
64		213048-5	O RING 6	1
65		153488-4	GEAR HOUSING COMPLETE	1
66		233072-2	COMPRESSION SPRING 8	1
67		418067-8	PIN CAP	1
68		266257-5	TAPPING SCREW 4X28	4
69		961011-9	STOP RING E-4	1
70		257227-5	RING 6	1
71		961014-3	STOP RING E-8	1
72		153685-2	BLADE CASE COMPLETE	1
73		324392-6	SHOULDER SHAFT	1
74		231655-2	TORSION SPRING 11	1
75		266040-0	TAPPING SCREW CT 4X25	2
76		418390-1	DUST COVER	1
77		850F04-6	SG1251 NAME PLATE	1
78		416741-2	ELBOW	1
79		213423-5	O RING 30	1
80		317725-2	COVER	1
81		922466-3	HEX.SOCKET HEAD BOLT M8X45	1
82		961006-2	RETAINING RING S-10	1
84		317723-6	BASE	1
85		922487-5	HEX. SOCKET HEAD BOLT M8X65	1
86		941201-0	FLAT WASHER 8	1
87		223145-9	CAM	1
88		417665-5	FRONT GRIP	1
90		252185-0	SQUARE NUT M6	1
91		344391-2	BIT HOLDER	1
92		922251-4	HEX. SOCKET HEAD BOLT M5X30	1
93		941201-0	FLAT WASHER 8	1
94		922462-1	HEX. SOCKET HEAD BOLT M8X40	1
95		345364-8	INDICATOR	1
96		942151-2	SPRING WASHER 6	1
97		257731-4	SLEEVE 7	1
98		251897-2	SCREW M6X33	1
99		253310-6	THIN WASHER 10	1
100		267783-7	WAVE WASHER 10	1
101		253310-6	THIN WASHER 10	1
A01		A-80438	D.WHEEL 125X22.23	2
A02		782407-9	LOCK NUT WRENCH 35	1
A03		783204-6	HEX. WRENCH 6	1
A04		821552-6	CONNECTOR PLASTIC CASE (TYPE4)	1
A04	C10	453974-8	LATCH	4
A05		838111-9	INNER TRAY	1
A06		804Y86-4	SG1251J INDICATION LABEL	1
A07		804Y87-2	SG1251J PLASTIC CASE LABEL	2