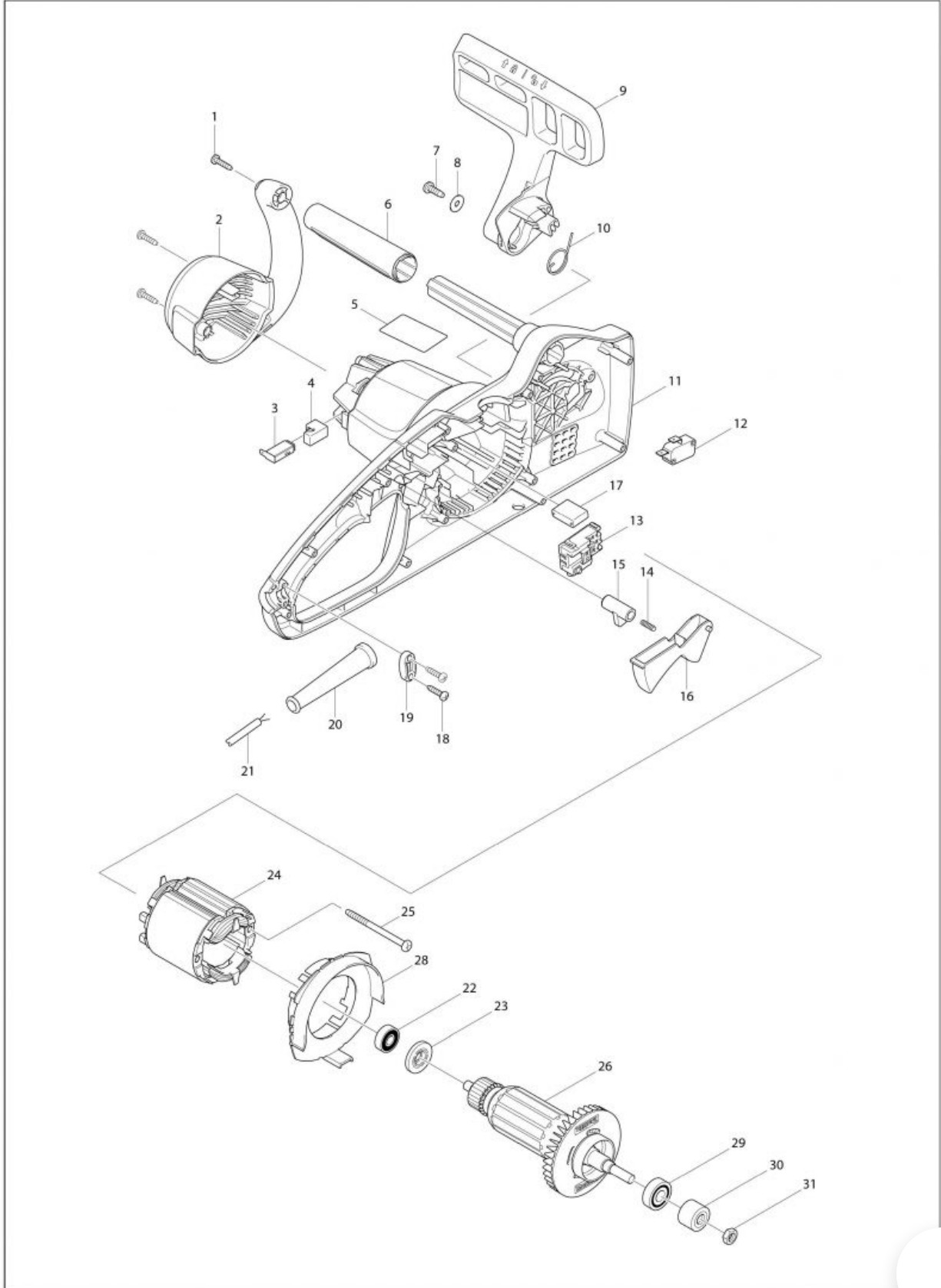
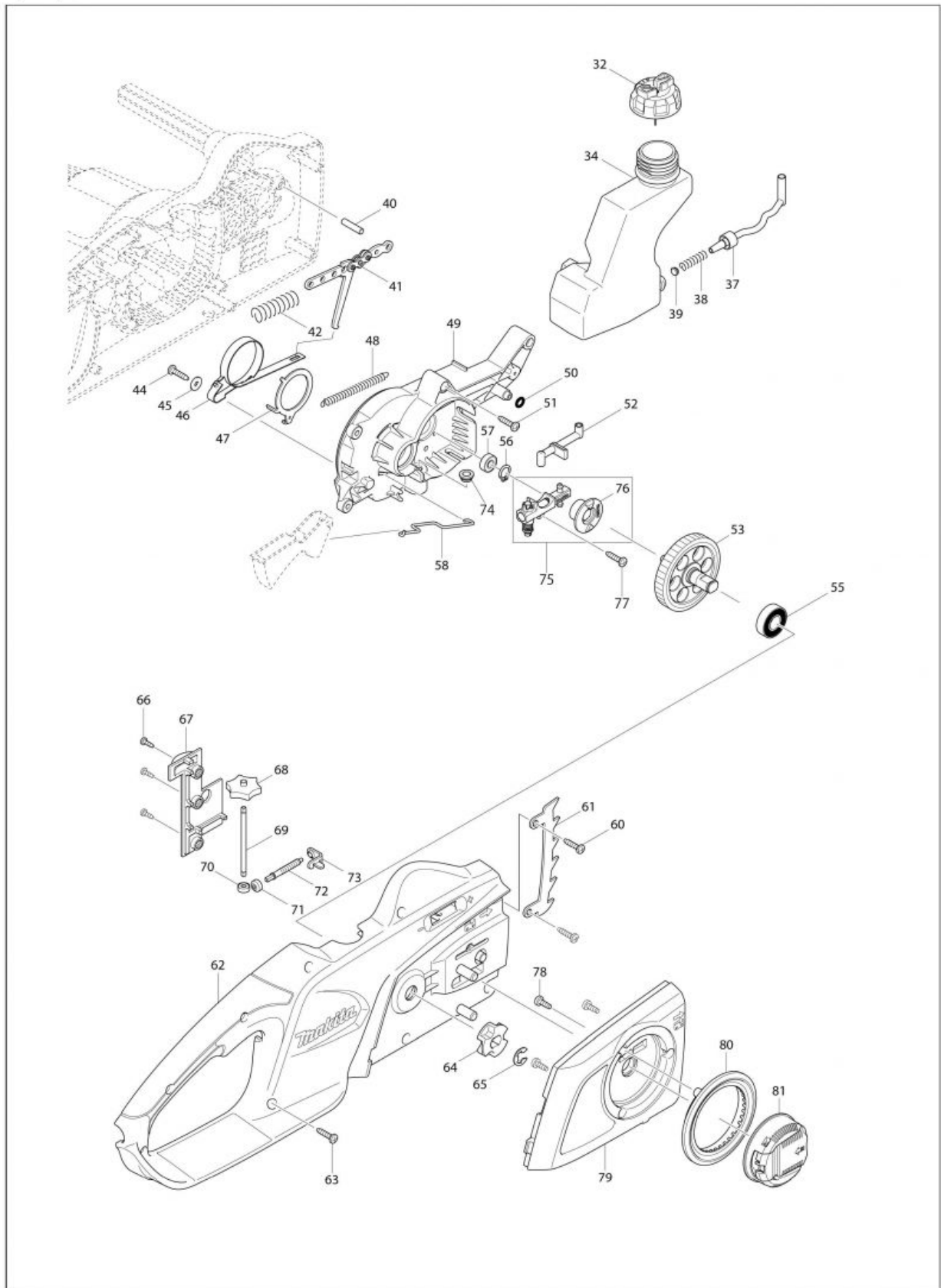


# Part Diagram

(MY) UC4041A / 400MM ELECTRIC CHAIN SAW



(MY) UC4041A / 400MM ELECTRIC CHAIN SAW



Item	Sub	Parts No.	Parts Description	Qty
001		266326-2	TAPPING SCREW 4X18	3
002		454725-2	REAR COVER	1
003		191972-1	CARBON BRUSH CB-132	1
004		682211-5	RUBBER SLEEVE	2
005		815A97-0	UC4041A NAME PLATE	1
006		424600-6	FRONT GRIP	1
007		266388-0	TAPPING SCREW 5X16	1
008		253807-5	FLAT WASHER 5	1
009		142279-8	FRONT HAND GUARD COMPLETE	1
	C10	802K54-7	INDICATION LABEL	1
010		231640-5	TORSION SPRING 20	1
011		187869-0	HOUSING SET	1
	C10	802G51-9	CAUTION LABEL	1
	D10		INC. 62	
012		650577-1	SWITCH SD-006-BB2AA-AA	1
013		650716-3	SWITCH TGC31B	1
014		233173-6	COMPRESSION SPRING 4	1
014-1		233194-8	COMPRESSION SPRING 4	1
015		416178-3	LOCK-OFF BUTTON	1
016		455185-1	SWITCH LEVER	1
018		266326-2	TAPPING SCREW 4X18	2
019		687124-5	STRAIN RELIEF	1
020		682540-6	CORD GUARD 9.3-90	1
021		692552-1	POWER SUPPLY CORD 1.0-2-0.7	1
022		210029-0	BALL BEARING 608ZZ	1
023		681644-1	INSULATION WASHER	1
024-1		593869-4	FIELD ASS'Y 220-240V	1
	C10	654069-2	RECEPTACLE	2
	C20	654208-4	RECEPTACLE	1
024-2		590103-3	FIELD ASS'Y 220-240V	1
	C10	654086-2	RECEPTACLE	2
	C20	654199-9	RECEPTACLE	1
025		266389-8	TAPPING SCREW 5X70	2
026		513893-1	ARMATURE ASS'Y 220-240V	1
	D10		INC. 22,23,29	
026-1		511A83-6	ARMATURE ASS'Y 220-240V	1
	D10		INC. 22,23,29	
028		419238-0	BAFFLE PLATE	1
029		211061-7	BALL BEARING 6000LLB	1
030		227153-2	SPUR GEAR 12	1
031		931403-6	HEX. NUT M8	1
032		142282-9	TANK CAP COMPLETE	1
034		454729-4	OIL TANK	1
037		424602-2	OIL TUBE	1
038		231975-4	SPRING	1
039		416274-7	CAP	1
040		268238-5	PIN 5	1
041		158047-9	LINK PLATE COMPLETE	1
042		233175-2	COMPRESSION SPRING 9	1
044		266326-2	TAPPING SCREW 4X18	1
044-1		265620-9	TAPPING SCREW FLANGE 4X18	1
045		267195-4	FLAT WASHER 4	1
046		168321-7	BRAKE BAND	1
047		346739-4	BRAKE RING	1
048		231817-2	TENSION SPRING 5	1
049		454720-2	BEARING HOUSING	1
049-1		413J59-2	BEARING HOUSING	1
050		213017-6	O RING 6	1

Item	Sub	Parts No.	Parts Description	Qty
051		266326-2	TAPPING SCREW 4X18	4
052		424601-4	CONNECTOR	1
053		135615-5	SPUR GEAR 43 ASS'Y	1
055		210106-8	BALL BEARING 6001LLB	1
056		961006-2	RETAINING RING S-10	1
057		210033-9	BALL BEARING 696ZZ	1
058		326359-0	ROD	1
060		266326-2	TAPPING SCREW 4X18	2
061		345651-5	SPIKE BUMPER	1
062		187869-0	HOUSING SET	1
	C10	802G51-9	CAUTION LABEL	1
	D10		INC. 11	
063		266326-2	TAPPING SCREW 4X18	7
064		221526-1	SPROCKET	1
065		259036-8	STOP RING E-8	1
066		266007-8	TAPPING SCREW BIND PT 3X10	3
067		454727-8	TENSION COVER	1
068		454726-0	DIAL 30	1
069		326360-5	SHAFT	1
070		227496-2	STRAIGHT BEVEL GEAR 14	1
071		227496-2	STRAIGHT BEVEL GEAR 14	1
072		324620-9	ADJUST SCREW	1
073-1		346859-4	TENSION SLIDE	1
074		424603-0	GROMMET	1
075-1		142156-4	OIL PUMP COMPLETE	1
075-2		142156-4	OIL PUMP COMPLETE	1
076		221427-3	WORM GEAR	1
077		266326-2	TAPPING SCREW 4X18	1
078		266427-6	TAPPING SCREW 4X12	3
079		142281-1	SPROCKET COVER COMPLETE	1
	C10	802E36-3	INDICATION LABEL	1
080		454728-6	COVER	1
081		142235-8	NUT COMPLETE	1
A01		158024-1	HOOK COMPLETE	1
A02		165247-4	GUIDE BAR 16	1
A02-1		165247-4	GUIDE BAR 16	1
A03		419242-9	CHAIN COVER	1
A04		196742-3	SAW CHAIN SET	1