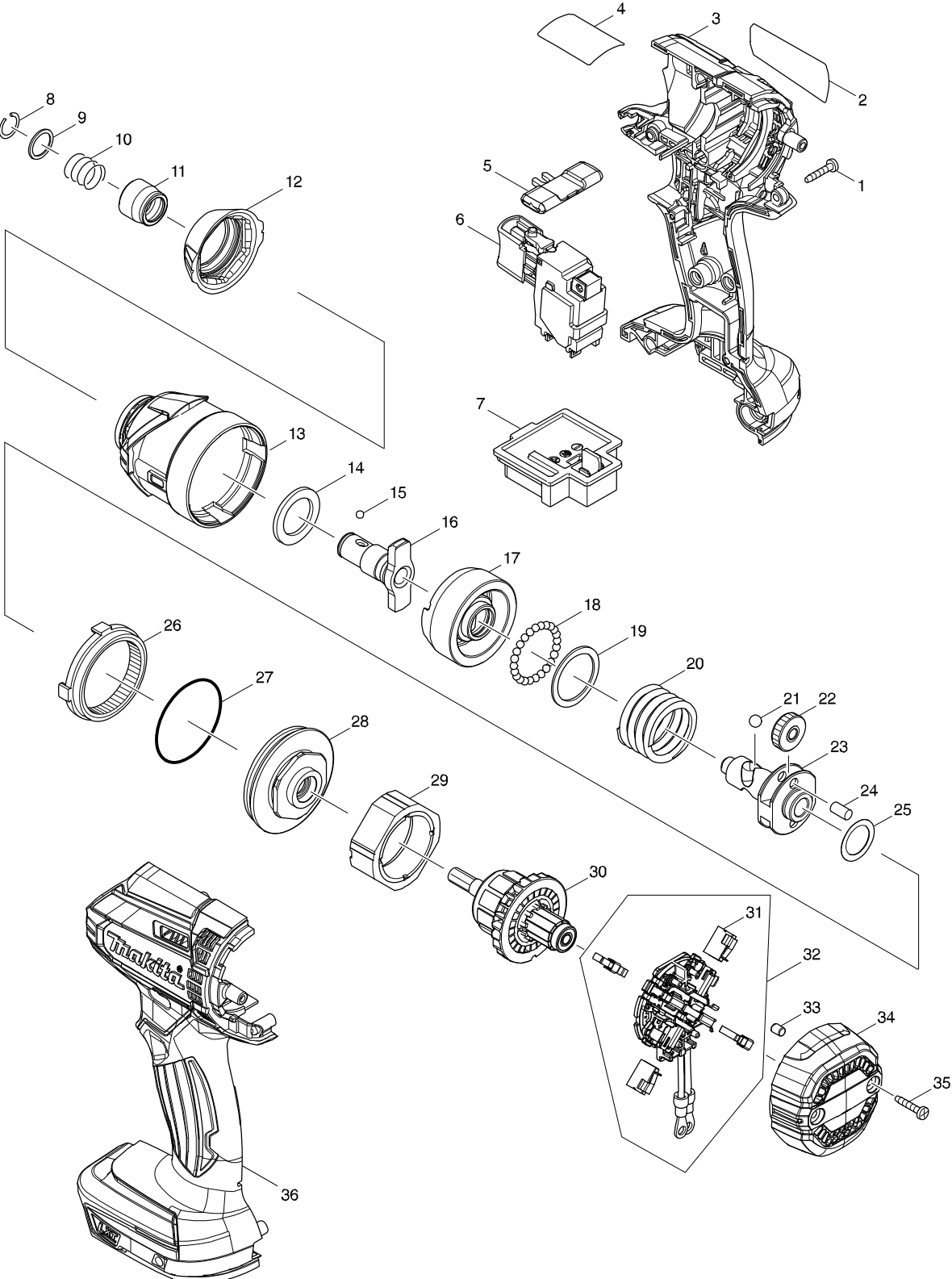


Model No. DTD152 CORDLESS IMPACT DRIVER



## Model : DTD152 CORDLESS IMPACT DRIVER

Item	Sub	Parts No.	Parts Description	Qty
1		266429-2	TAPPING SCREW 3X16	8
2		851E29-7	DTD152 NAME PLATE	1
3		183B63-4	HOUSING SET	1
3	C10	263005-3	RUBBER PIN 6 INC. 36	2
5		455053-8	F/R CHANGE LEVER	1
6		650751-1	SWITCH	1
6	C10	620445-2	LED CIRCUIT	1
7		643852-2	TERMINAL	1
8		231951-8	RING SPRING 11	1
9		267085-1	FLAT WASHER 12	1
10		233005-7	COMPRESSION SPRING 13	1
11		326072-0	BIT SLEEVE	1
12		424738-7	BUMPER	1
13		143299-5	HAMMER CASE COMPLETE	1
14		261151-6	NYLON WASHER 19	1
15		216040-0	STEEL BALL 3.5	2
16		326576-2	ANVIL N	1
17		326564-9	HAMMER	1
18		216040-0	STEEL BALL 3.5	24
19		267175-0	FLAT WASHER 24	1
20		234251-5	COMPRESSION SPRING 25	1
21		216041-8	STEEL BALL 5.6	2
22		227362-3	SPUR GEAR 22	2
23		326562-3	SPINDLE	1
24		256253-1	PIN 5	2
25		253314-8	THIN WASHER 15	1
26		227378-8	INTERNAL GEAR 51	1
27		213507-9	O RING 40	1
28		143298-7	BEARING BOX COMPLETE	1
29		638396-5	YOKE UNIT	1
30		619377-8	ARMATURE	1
31		196854-2	CARBON BRUSH CB-448	2
032A		632F25-8	BRUSH HOLDER COMPLETE	1
032A	C10	688172-7	LINE FILTER	1
032A	C20	654037-5	INSULATED TERM. FT1.25-M3 INC. 31	2
032B		632F25-8	BRUSH HOLDER COMPLETE	1
032B	C10	688172-7	LINE FILTER	1
032B	C20	654037-5	INSULATED TERM. FT1.25-M3 INC. 31	2
032-1A		632F23-2	BRUSH HOLDER COMPLETE INC. 31	1
032-1B		632F23-2	BRUSH HOLDER COMPLETE INC. 31	1
032-1C		632F23-2	BRUSH HOLDER COMPLETE INC. 31	1
33		263032-0	RUBBER PIN 4	4
34		456044-2	REAR COVER	1

35		266429-2	TAPPING SCREW 3X16	2
36		183B63-4	HOUSING SET	1
36	C10	263005-3	RUBBER PIN 6 INC. 3	2